

# **BIG BED**

## **'TAILGATE EXTENDER'** *by* **ERICKSON** MANUFACTURING LTD.

**To avoid personal injury and/or property damage, please read and follow ALL instructions before assembling and operating.**

1. Never overload Big Bed®. Maximum capacity is 400 lb. (Evenly distributed load).
2. A 2" receiver is required to use the Big Bed. Refer to manufacturer's hitch capacity.
3. Long and heavy loads reduce control of steering, and braking capability. Use extreme caution when hauling longer loads. Test control before accelerating.
4. Ensure that the locking pin (B & C), hitch pin (not included) are securely fastened to the Big Bed.
5. The load must rest and extend beyond the horizontal support of the apparatus.
6. Secure the load by utilizing the tie-down hook holes with weight appropriate strap. Fasten a red flag to mark the end of the load.
7. Do not leave the Big Bed in the receiver unless in use.
8. Check Government regulations for specific laws in your province or state on the allowable overhang out the back of your vehicle.
9. Proper use of this product is critical to safety, and beyond the control of Erickson Manufacturing Ltd. Erickson Manufacturing Ltd. neither guarantees nor is liable for any damage resulting from improper use. The liability of this product is limited to its purchase price if it proves to be defective in material and/or workmanship.

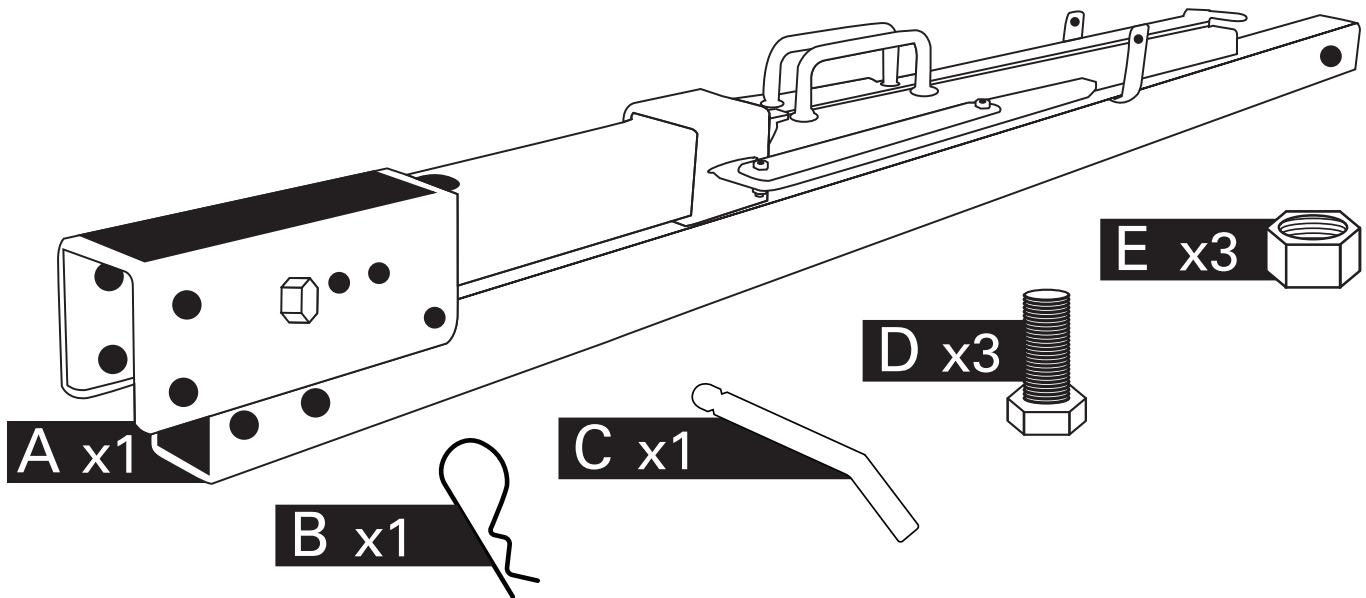
## **Usage**

Ideal for short-bed trucks, SUVs, vans, rhino/gators, and all other vehicles capable of hauling a load. We recommend using your new Big Bed for the following :

- Lumber
- Canoes
- Extension ladders
- Oversized sheets of plywood and drywall
- Utilize it as an extended workspace/bench
- Throw a tailgate party
- Create additional space for your hunting gear and supplies

# Specifications

Rated Capacity	400 lb. (181,43 kg)
Dimensions (collapsed)	46" x 5" x 7" 116,8 cm x 12,8 cm x 18 cm
Dimensions (Installed)	46" x 50,2" x 18,1" 116,8 cm x 127,7 cm x 46 cm



## Installation

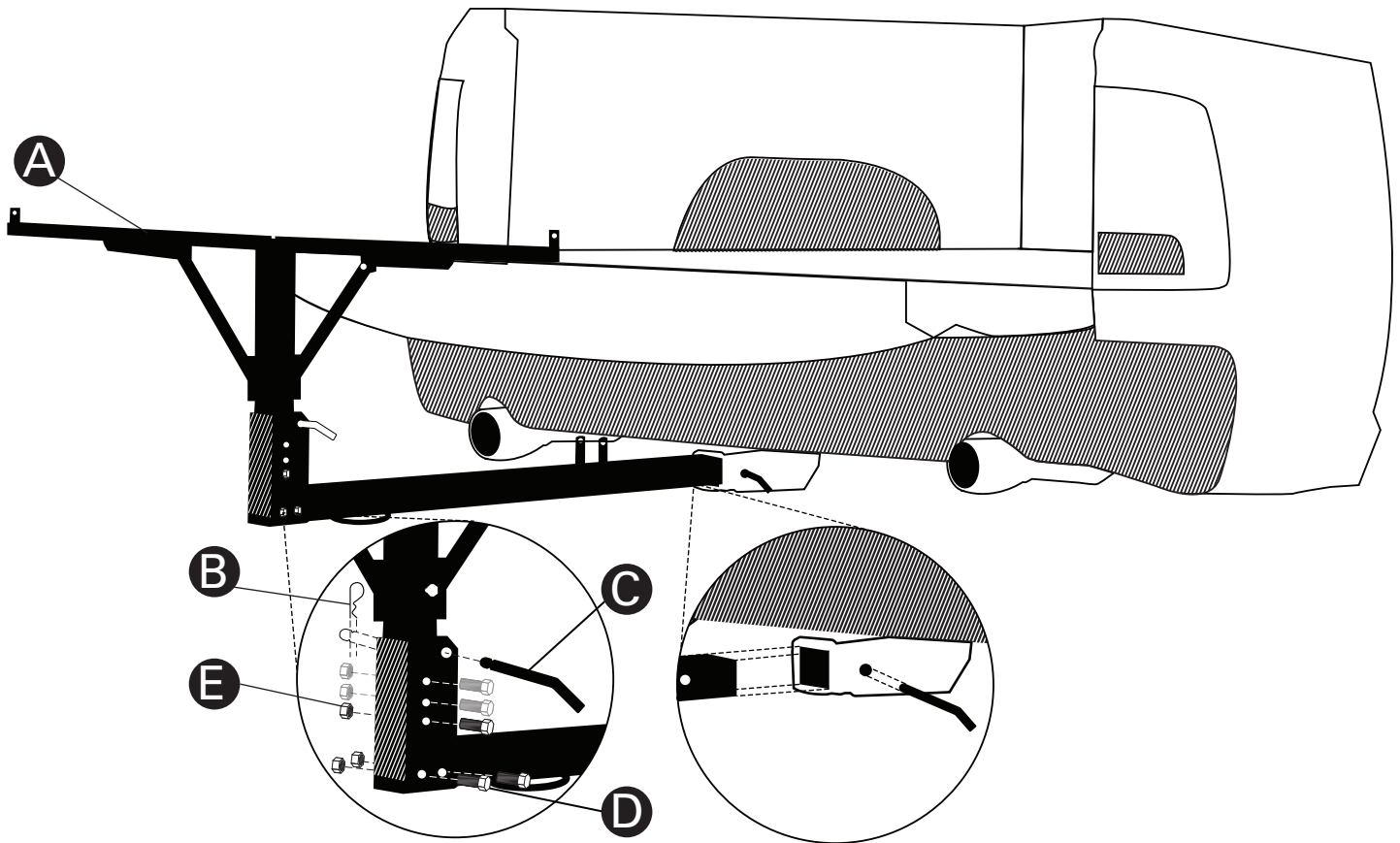
**Step 1** Insert the Big Bed (A) apparatus into a properly mounted hitch (not included) that has a **2 inch receiver**. Install hitch pin (not included) to secure the Big Bed.

**Step 2** Remove the locking pin (B then C) from the Big Bed frame. Unfold and spread the apparatus. Install and secure the locking pin into the upright support as shown.

**Step 3** Open the tailgate/hatch of the vehicle. Ensure the height of the tailgate is equal, or less than the height of the Big Bed. If it is greater, increase the height of the Big Bed by adjusting the insertion point of the nut and bolt (D & E).

**Step 4** Place the main load in the box/trunk of the vehicle with the load evenly distributed across the Big Bed. Fasten the load securely with load appropriate tie-down straps.

**Step 5** Secure a red flag to mark the end of the load. If hauling in the evening fasten a light to the load to mark the end of the load.



# Warranty

## Warranty Qualifications

Effective from the day you purchase the product. Please keep your dated purchase invoice as proof.

## Repair/Replacement Warranty

Erickson Manufacturing Ltd. warrants to the original purchaser that the mechanical components will be free of defect in material and workmanship for 90 days from the original date of purchase. Transportation charges on product submitted for repair or replacement under warranty are the sole responsibility of the purchaser. This warranty only applies to the original purchaser and is not transferable.

## Do Not Return The Unit to the Place of Purchase

Contact Erickson Manufacturing Ltd's Technical Service and service people will troubleshoot any issue via phone or email. Repairs or replacements without prior authorization, or at an unauthorized repair facility, will not be covered by this warranty.

**Warranty Exclusions**

This warranty does not cover the following repairs and equipment:

**Normal Wear**

This warranty does not cover the repair when use has exhausted the life of a part or the equipment as a whole.

**Installation, Use and Maintenance**

This warranty will not apply to parts and/or labor if this product is deemed to have been misused, neglected, involved in an accident, abused, loaded beyond specifications, modified, or installed improperly. Normal maintenance is not covered by this warranty.

**Other Exclusions**

This warranty excludes:

- Cosmetic defect such as paint, decal etc.
- Wear items
- Accessory parts
- Failures due to acts of God and other force majeure events beyond the manufacturer's control.
- Problems cause by parts that are not Erickson Manufacturing Ltd. parts.