

MANUAL

60 IN. CARGO HAULER WITH BASKET



Item# 07496


⚠ WARNING:

Read carefully and understand all ASSEMBLY AND OPERATION INSTRUCTIONS before operating. Failure to follow the safety rules and other basic safety precautions may result in serious personal injury.

TECHNICAL SPECIFICATIONS


Carrier dimensions	60 in. x 20 in. x 18 in.
Load Weight Capacity	500 lbs.
Required Receiver	Fits 2 in. receivers

SAFETY WARNINGS AND PRECAUTIONS

 **WARNING:** When using product, basic safety precautions should always be followed to reduce the risk of personal injury and damage to equipment.

Only use the cargo carrier with a properly installed 2 in hitch receiver capable of supporting the Cargo Carrier and its load. Refer to Hitch Manufacturers specifications and load capacities before using.

Read all instructions before using this product!

1. **Keep work area clean.** Cluttered areas invite injuries.
2. **Observe work area conditions.** Keep work area well lighted.
3. **Store idle equipment.** When not in use, the Carrier must be stored in a safe and clean location. Always lock up products and keep out of reach of children.
4. **Use the right product for the job.** There are certain applications for which the Cargo Carrier was designed. Do not modify the Cargo Carrier and do not use the Cargo Carrier for a purpose for which it was not intended.
5. **Check for damaged parts.** Before using any product, any part that appears damaged should be carefully checked to determine that it will operate properly and perform its intended function. Check for any broken or damaged parts and any other conditions that may affect its operation. Replace or repair damaged or worn parts immediately.
6. **Replacement parts and accessories.** When servicing, use only identical replacement parts. Use of any other parts will void the warranty.
7. **Do not exceed the product's maximum load capacity of 500 lbs.**
8. **Only use the Cargo Carrier with a properly installed 2 in. hitch receiver capable of supporting the Cargo Carrier and its load. If the Cargo Carrier is installed on a Class II receiver, total weight, including carrier, is limited to 350 lbs.**
9. **Use eye protection.** Always wear ANSI-approved impact safety goggles when setting up, loading and unloading the Cargo Carrier. Wear gloves and avoid sharp edges when assembling and when loading and unloading the Cargo Carrier.
10. **Do not allow children to play on, stand upon or climb into the Cargo Carrier.** The Cargo Carrier is not for carrying people or animals.
11. **Always check hardware and assembled parts after assembling.** All connections should be tight and hardware tightened.
12. **Always distribute objects in the Cargo Carrier evenly.** Uneven weight distribution could cause tipping.
13. **Be aware of dynamic loading!** Suddenly dropping or bouncing a load on the Cargo Carrier may create, for a brief instant, an excess load, which may result in damage to the product and/or personal injury. Additionally, if the vehicle hits a bump, a slight play in the receiving hitch or a movement in the load could result in a momentary dynamic loading effect that could dramatically increase the actual weight load. Check the hitch-to-carrier connection for any looseness. This momentary dynamic loading effect could result in damage to the Cargo Carrier, the load and possible personal injury.
14.  **WARNING:** Be aware of the possible risk of fire and damage to property resulting from the vehicle's exhaust system pointing at or running near the cargo loaded on the Cargo Carrier. Before installing the Cargo Carrier, check to make sure that the exhaust pipe is not pointing in the direction of the cargo. Flammable cargo can ignite from exposure to heat. Other cargo can be damaged from the heat. Always be aware of this potential danger, and never use the Cargo Carrier if the risk exists.
15. **Follow DOT/MOT guidelines for installation and use.**
16. **Do not exceed 65 MPH while carrier is attached.**

ASSEMBLY FOR CARGO CARRIER

It is important that you read the entire manual to become familiar with the product **BEFORE** you assemble and use the Cargo Carrier. Before assembling and operating the Cargo Carrier, be sure that you have all parts described in the Parts List and Assembly Diagram located on the last pages of this manual.

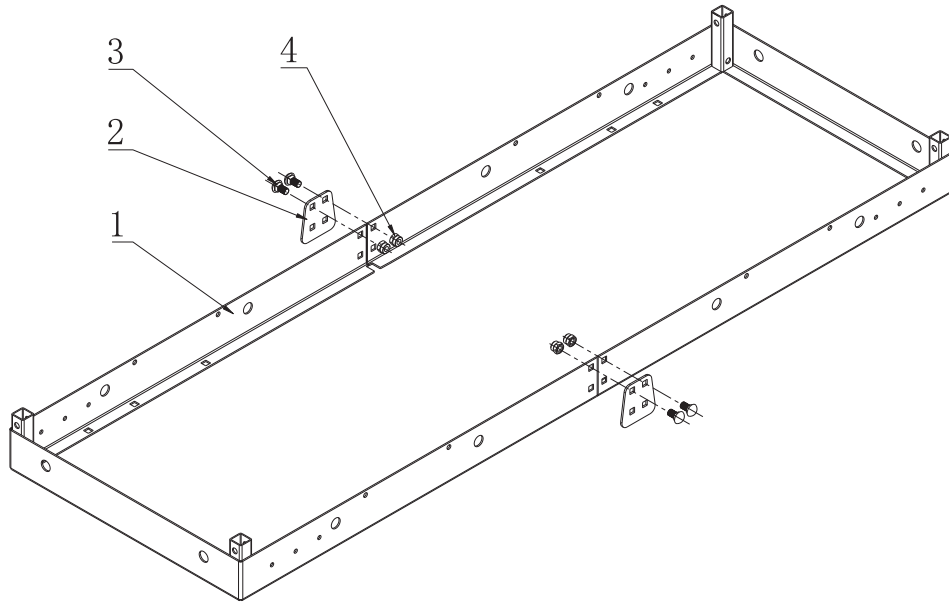


FIG. 1

STEP 1 Connect the two supporting frames (1) using the connecting piece (2); line up the corresponding square holes; use 2 of the M10*20 carriage bolts (3) and install in top 2 holes only; Secure with 2 of the M10 locknuts (4). Continue the same configuration for the other side. Do not tighten completely. Details shown in Fig 1.

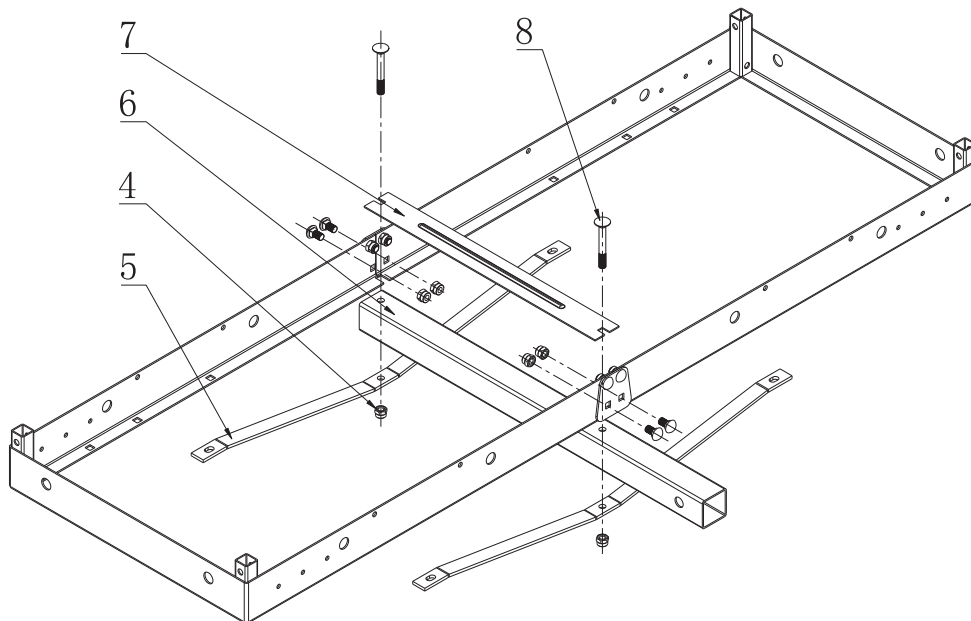
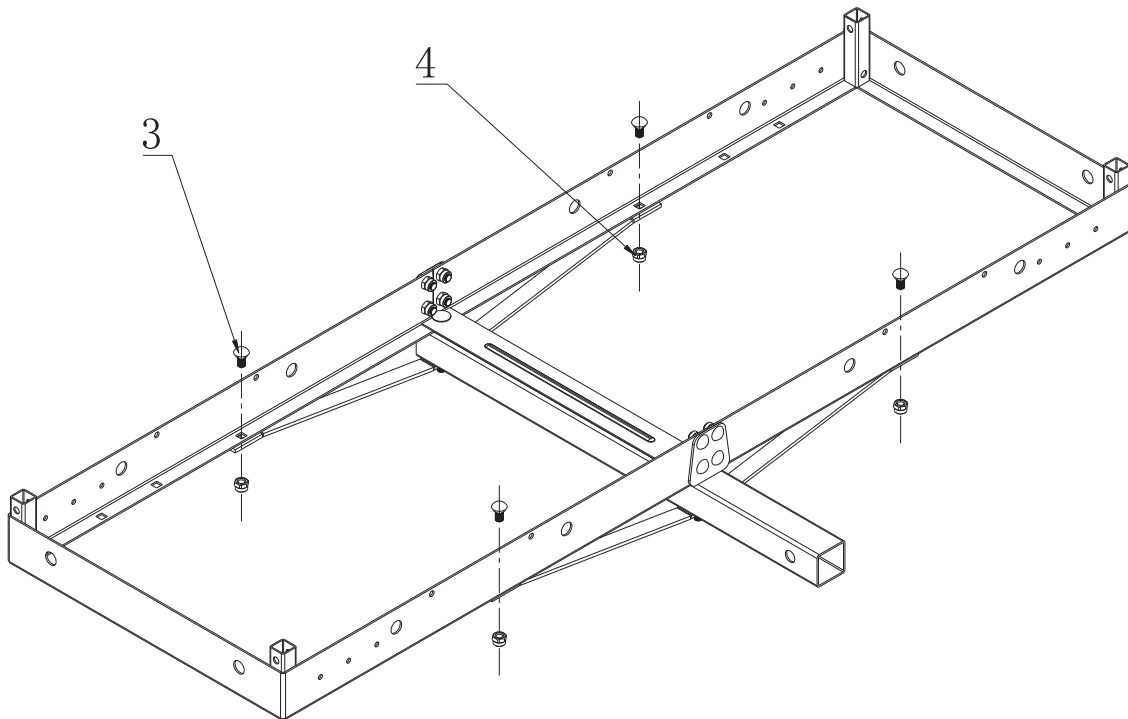


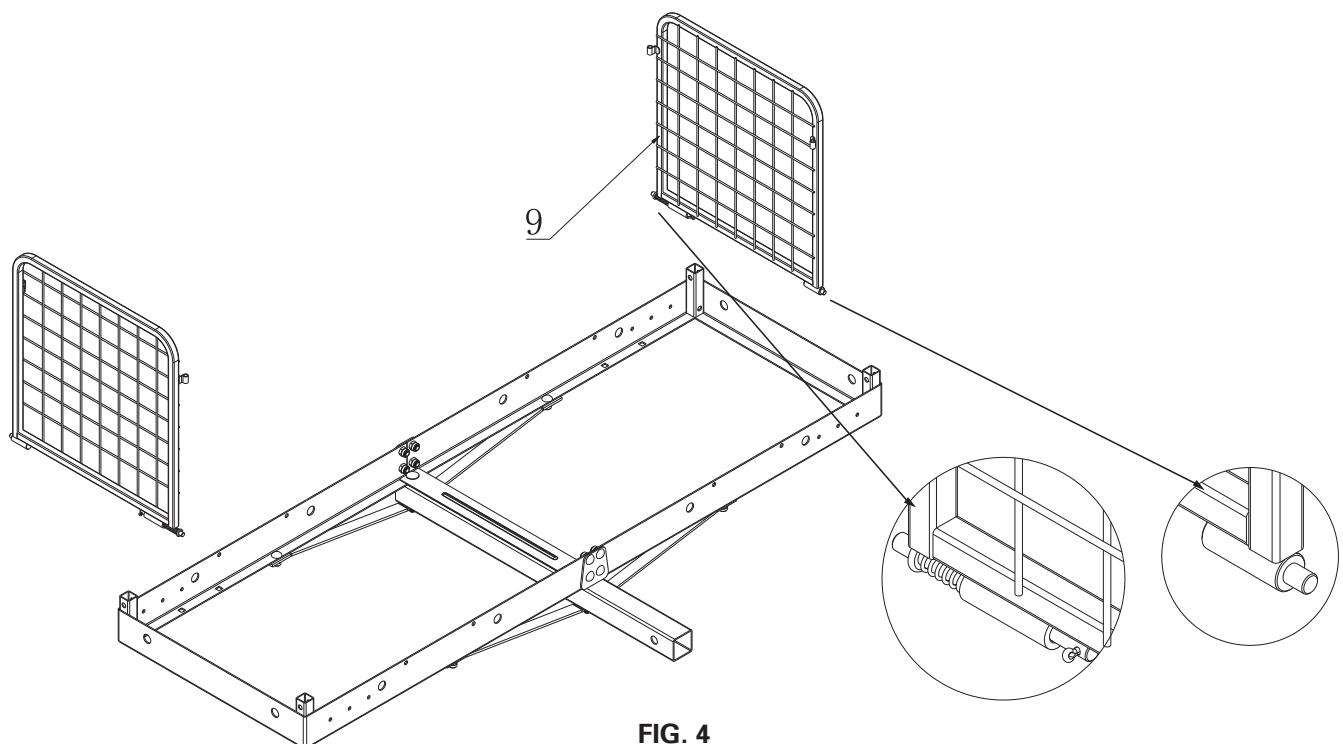
FIG. 2

STEP 2 Place the tie plate (7) on the middle of the assembled supporting frame (1), then place the frame (1) over the square tube (6) and the two support braces (5) under the frame; connect using the two bolts M10X83 (8) and two lock nuts (4). Install 4 remaining M10*20 (3) carriage bolts into connecting pieces and secure with M10 Locknuts (4). Do not tighten completely. See Fig 2.

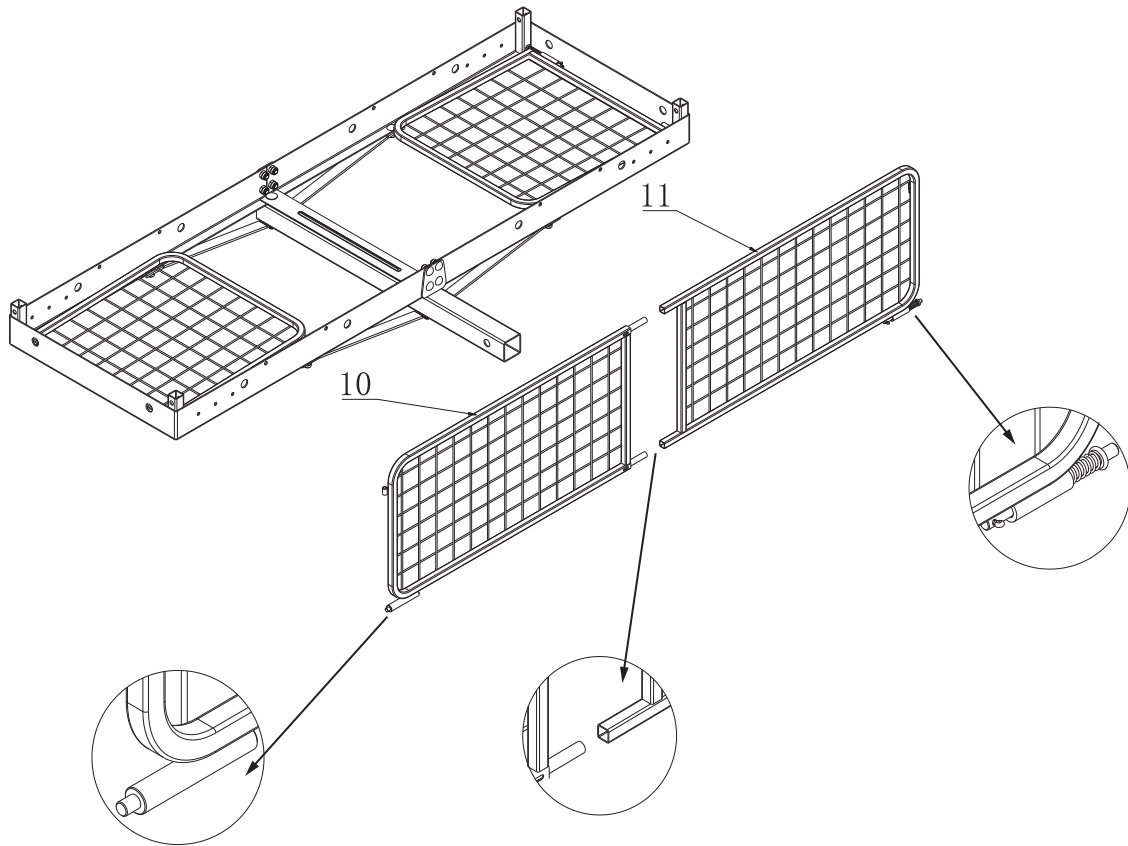
**FIG. 3**

STEP 3 Secure both sides of the two support braces (5) to the frame (1) with 4 of M10*20 carriage bolts (3), and 4 of M10 lock nuts (4). Do not tighten fully. See Fig 3.

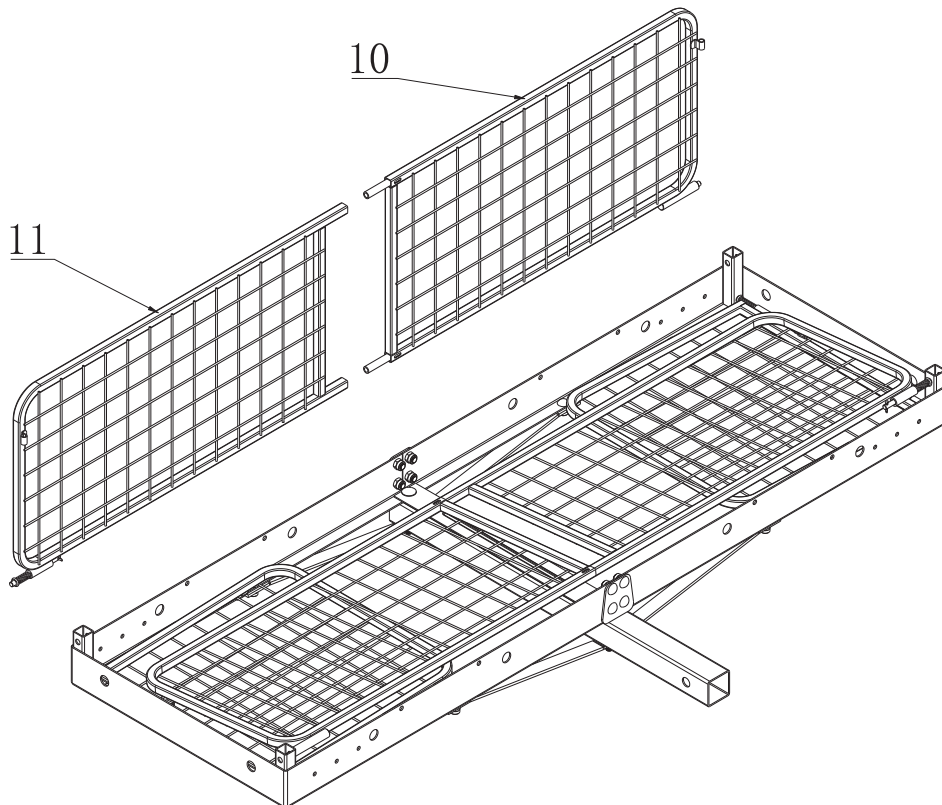
STEP 4 Check that the two frames sides align horizontally, then tighten all bolts and nuts.

**FIG. 4**

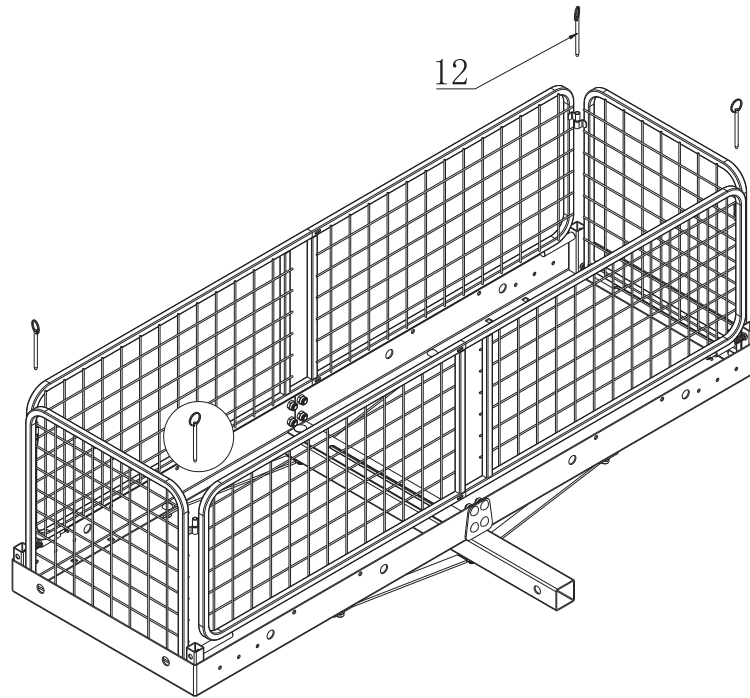
STEP 5 Insert the cylindrical pins with spring on the bottom of the side fencing (9) into the bottom holes on corner fixtures of supporting frames (1). See Fig 4 (place the fencing flat within supporting frames). See Fig 5. **NOTE: Fencing MUST face inward for all ends and sides.**

**FIG. 5**

STEP 6 Insert front left and right fencing (10 and 11) together, and assemble them into top holes on corner fixtures of supporting frames (1). (place fencing flat within supporting frames). See Fig. 6.

**FIG. 6**

STEP 7 Insert back left and right fences (10 and 11) together, and assemble them into top holes on corner fixtures of supporting frames (1). (For ease with the next step, place with the fencing inside). See Fig 6.

**FIG. 7**

STEP 8 Align all hinges and connecting bars on hinges then insert the ring pins (12). (The connecting corner hinges should be positioned on the inside of the fences).
See Fig 7.

OPERATION

⚠ WARNING: The load weight must be centered or evenly distributed across the Carrier platform. Always use appropriate tie-down restraints to securely attach any cargo loaded onto the Cargo Carrier before moving your vehicle any distance. Do not leave loose items on the platform while operating the vehicle. Always use Reflectors. Make certain to use the appropriate red flags when moving a load. Check with your local traffic enforcement agency to make certain that you are correctly following all local laws.

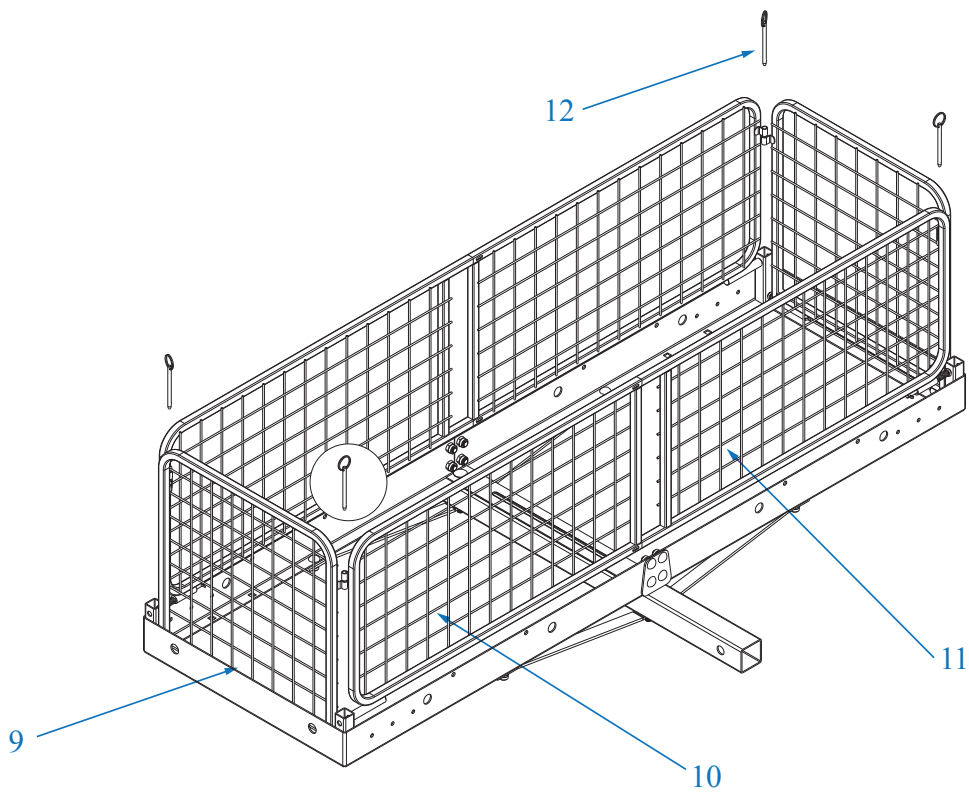
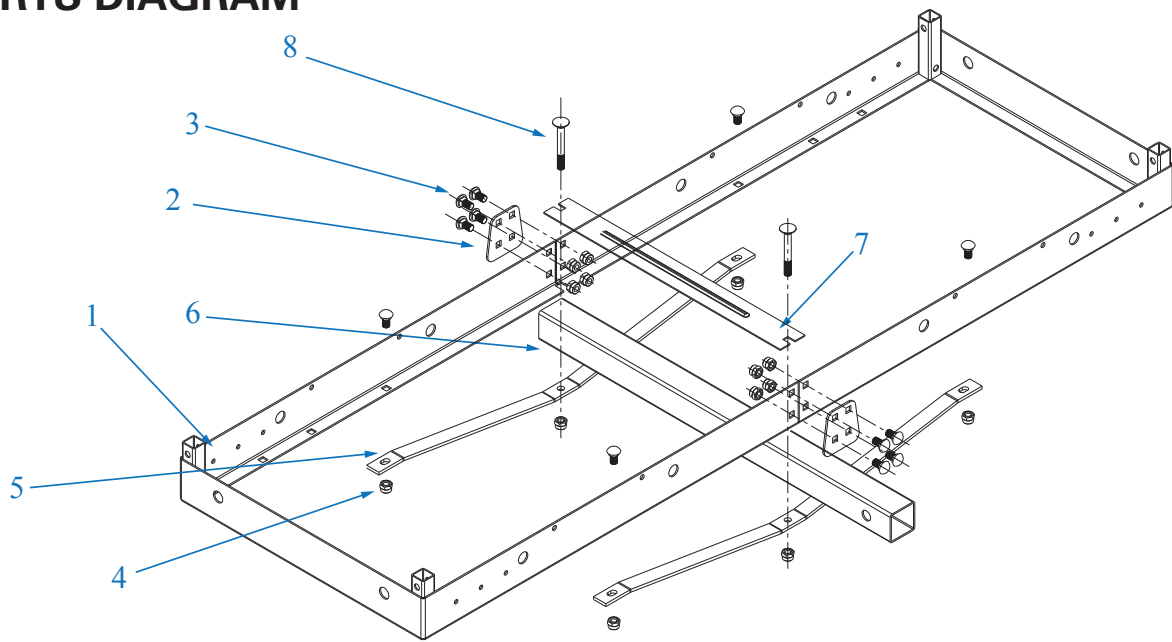
Your Cargo Carrier can be loaded with up to 500 lb. of evenly distributed cargo
(Class 3 Hitch = 500 lb. maximum tongue weight)
if an appropriately rated hitch is used.

Always use Reflectors. Make certain to use the appropriate red flags when moving a load. Check with your local traffic enforcement agency to make certain that you are correctly following all local laws.

MAINTENANCE

- **Maintain your cargo carrier.** It is recommended that the general condition of the carrier be examined before it is used. Check all nuts and bolts to make sure they are tightened on a regular basis as part of a maintenance schedule. If you hear any abnormal vibrations or noise, have the problem corrected before further use. Have necessary repairs made by qualified service personnel.

PARTS DIAGRAM



Part#	Description	Qty
1	Supporting frame	2
2	Connecting piece	2
3	M10*20 carriage bolt	12
4	M10 lock nut	14
5	Support brace	2
6	50 square tube	1

Part#	Description	Qty
7	Tie plate	1
8	M10*83 carriage bolt	2
9	Left and right side fencing	2
10	Front/Back Left fencing	2
11	Front/Back Right fencing	2
12	Ring bolt	4