

6 ft . (72" x 9") LOADING RAMPS STEEL DOUBLE FOLDING



To avoid personal injury and/or property damage, please read and follow ALL of these instructions before assembling and operating.

1. Never overload ramps. Maximum capacity for your ramp is 500 lb.; 1000 lb. per pair (Evenly distributed load).
2. Always use safety strap to securely fasten the ramp to the vehicle. This prevents the ramp from slipping off the back of the truck.
3. Carefully roll or winch equipment up or down the ramp. Never drive or ride your equipment while loading or unloading. Erickson Manufacturing is not responsible for any damage or injuries that can occur when loading and unloading. **USE AT YOUR OWN RISK!**
4. Make sure the ramp is aligned with the wheels of the equipment being loaded or unloaded.
5. Always load or unload on a solid, level and stable surface with the vehicle in gear, the parking/ emergency brake on, and engine off.
6. Use as a loading ramp only.
7. Ramp surfaces must be clean, dry and free from oil, grease or water.
8. Maximum recommended height is 30 inches.
9. Inspect ramp before each use. Tighten any loose hardware. Replace any worn or damaged parts. Replace safety strap if webbing is frayed or worn. Do not attempt to use a ramp that is damaged in any way. No modification, alteration, or deviation to the ramp are authorized by the manufacturer. Proper care and maintenance of the ramp are essential to safety.
10. Proper use of this product is critical to safety, and beyond the control of Erickson Manufacturing Ltd. Erickson Manufacturing Ltd. neither guarantees nor is liable for any damage resulting from improper use. The liability of this product is limited to its purchase price if it proves to be defective in material and/or workmanship.

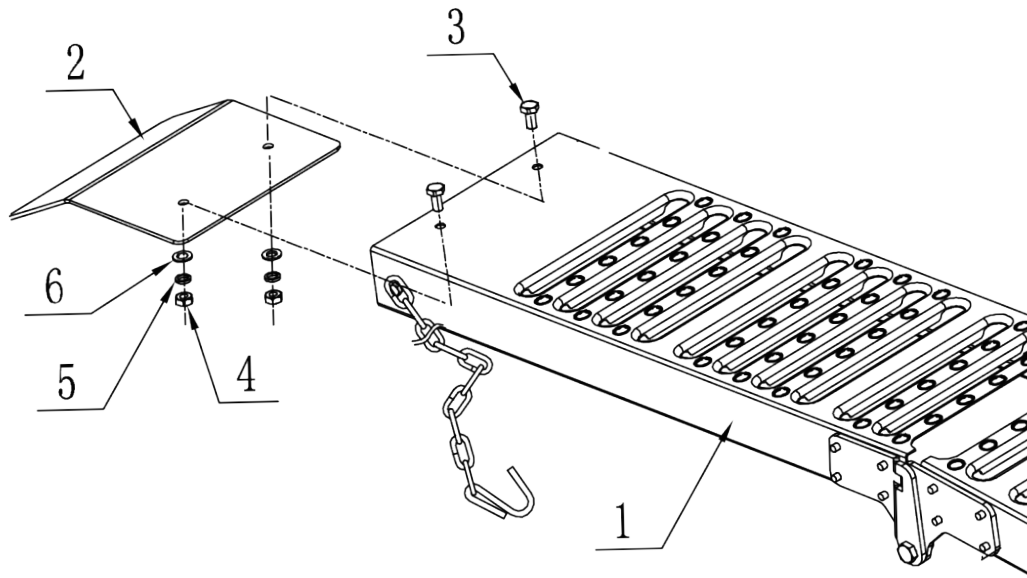
IMPORTANT NOTICE ABOUT LOADING ON A TAILGATE

- Erickson Manufacturing does not recommend the loading or unloading of equipment on a tailgate.
- It is recommended that if you choose to load or unload using a tailgate that you take the proper precautions and support your tailgate with a approved Tailgate Support.



Specifications

Rated Capacity	SINGLE RAMP 500 lb. (distributed load)
	PAIR OF RAMPS 1000 lb. (distributed load)
Ramp Dimensions	(Open) 72" x 9" (Folded) 26" x 9" x 7"



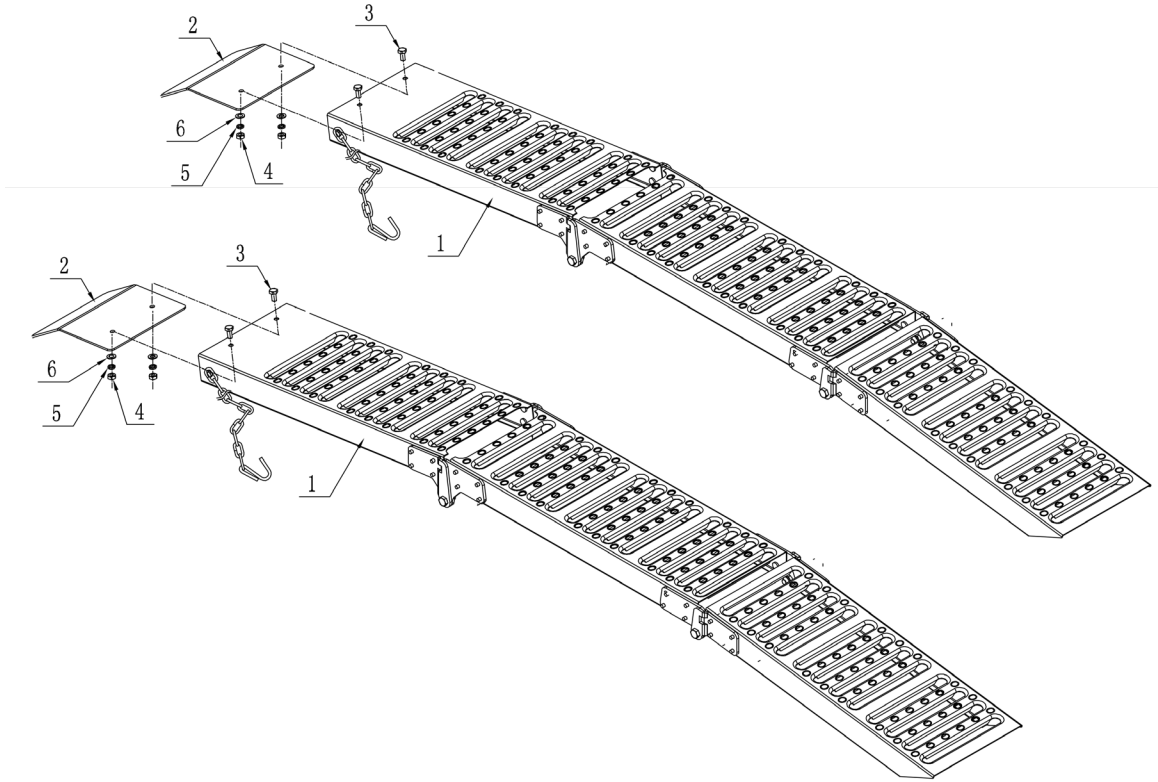
Step 1: Unfold the tri-fold ramp, assemble the lip to the ramp.



Step 2: Place the tongue of tri-fold ramp against the back of vehicle.



Step 3: Secure the ramp to the vehicle using the safety chain. After the safety chain is secure, test the ramp by pulling backwards on it. Make sure it does not slide back or disengage from the loading surface.



Part#	Description	Qty	Part#	Description	Qty
1	Anti-skid plate	2	4	M8 Nut	4
2	Tongue	2	5	Spring washer M8	4
3	M8X16 Socket hex bolt	4	6	Flat washer M8	4