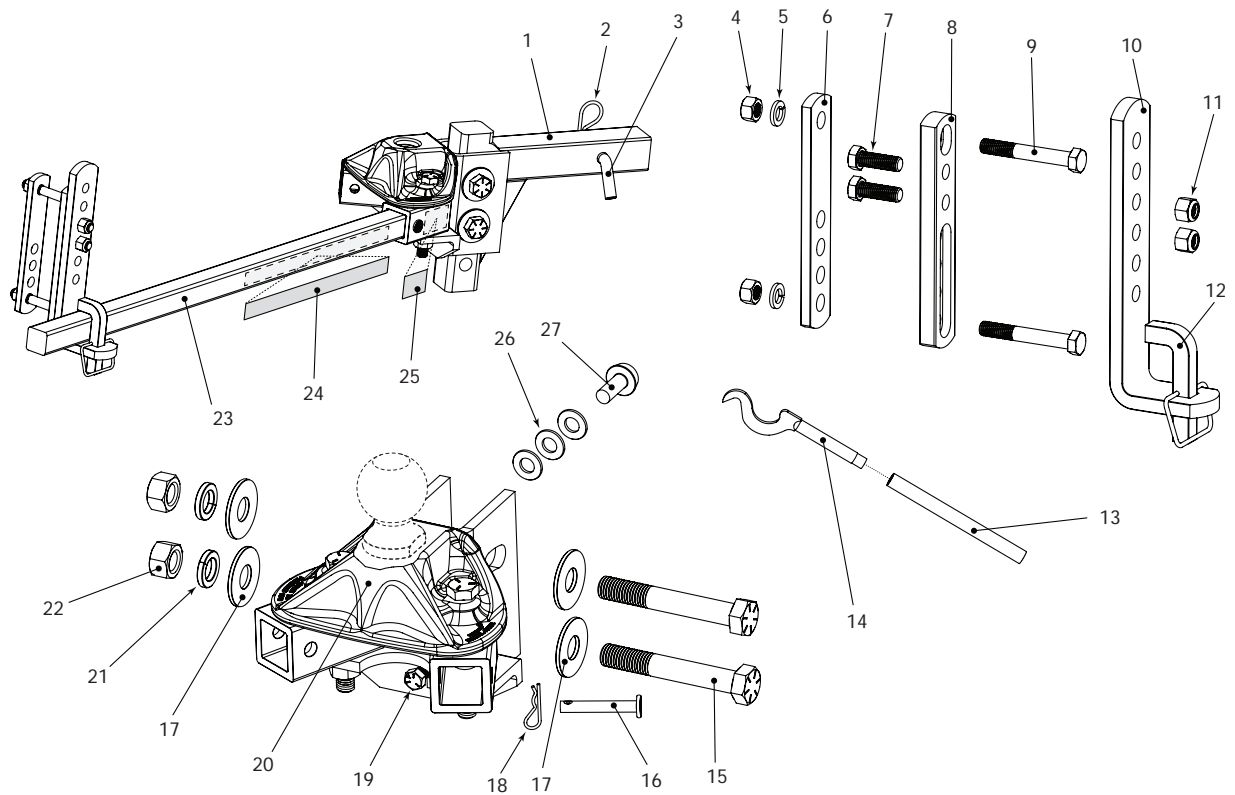


THE ORIGINAL
Equal-i-zer[®]
 SWAY CONTROL HITCH

Parts Breakdown 6K-14K Models

Hitch models: 90-00-0600, 90-00-1000, 90-00-1200, 90-00-1400



6-14K Models

Item #	Part Number	Part Description	Qty.
1	90-02-4100	Adjustable Shank	1
2	90-04-9224	Hitch Pin Clip	1
3	90-03-9220	Hitch Pin	1
4	90-04-9228	1/2" Nut (grade 5)	4
5	90-04-9290	1/2" Lock Washer	4
6	90-02-5200	Inside Link Plate	2
7	90-04-9281	1/2" x 1-1/2" Bolt (grade 5)	4
8	90-02-5370	Outside Link Plate	2
9	90-04-9270	1/2" x 3-1/2" Bolt (grade 5)	4
10	90-02-5150	L-Bracket	2
11	90-04-9286	1/2" Nylock Nut (grade 5)	4
12	90-03-9230	Snap L-Pin	2
13	90-03-6200	Snap-up Handle	1
14	90-03-6100	Snap-up Hook	1
15	90-04-9131	3/4" x 5" Bolt (grade 8)	2
16	90-03-9212	Socket Pin	2
17	90-04-9115	3/4" Washer	4
18	90-04-9216	Socket Pin Clip	2

Item #	Part Number	Part Description	Qty.
19	90-03-9700 90-03-9708	Angle Set Bolt 7/16" x 1-1/2" (6K-12K) 1/2" x 1-3/4" (14K)	1
20	90-02-0600 90-02-1000 90-02-1200 90-02-1400	600 / 6,000 lb. Head 1,000 / 10,000 lb. Head 1,200 / 12,000 lb. Head 1,400 / 14,000 lb. Head	1
21	90-04-9120	3/4" Lock Washer	2
22	90-04-9126	3/4" Nut (grade 8)	2
23	90-02-0699 90-02-1099 90-02-1299 90-02-1499	6,000 lb. Spring Arm 10,000 lb. Spring Arm 12,000 lb. Spring Arm 14,000 lb. Spring Arm	2
24	BD064 BD104 BD124 BD144	6,000 lb. Arm Sticker 10,000 lb. Arm Sticker 12,000 lb. Arm Sticker 14,000 lb. Arm Sticker	2
25	BD035	Socket Warning Sticker	2
26	90-04-9110	Spacer Washer	8
27	90-03-9105	Spacer Rivet	1