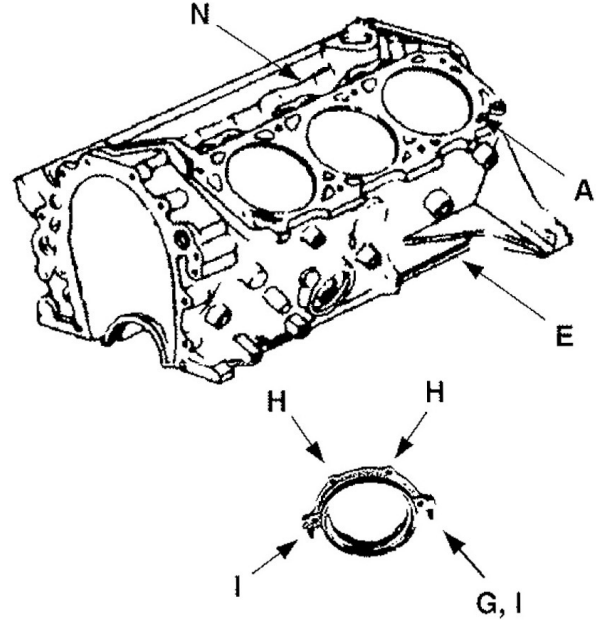
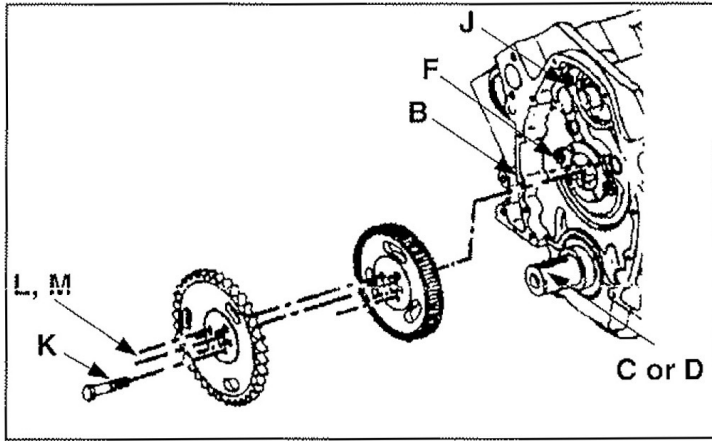


GM 262ci (4.3L) w/ Seal Housing Includes Balance Shaft and Roller Block



Part # HK104			
Location	Qty	Contents	Description
A	4	Head Dowel	.3125 x .565
B	2	Timing Cover / Oil Pump Dowel	.2466 x .630
C	1	Woodruff Key	3/16 x 1-13/32
D	2	Woodruff Key	3/16 x 3/4
E	1	Bypass Valve	Bypass Valve
F	2	Cam Thrust Plate Bolt	1/4-20 x 5/8 Machine Screw, Torx Drive
		SEAL HOUSING	
G	1	Seal Housing Dowel	.4445 x .562
H	2	Seal Housing Bolt	1/4-20 x 7/8 Machine Screw, Torx Drive
I	2	Seal Housing Bolt	1/4-20 x 1-3/4 Machine Screw, Torx Drive
		BALANCE SHAFT	
J	2	Balance Shaft Thrust Plate Bolt	1/4-20 x 1/2 Machine Screw, Torx Drive
K	2	Cam Bolt	5/16-18 x 1-3/8 Cap Screw, Hex Drive
L	1	Timing Stud	
M	1	Timing Stud Nut	5/16-18 Top Lock Nut, Hex Drive
		ROLLER BLOCK	
N	4	Lifter Hold Down Bolt	5/16-18 x 5/8 Frame Bolt, Hex Drive
All components should be assembled per O.E.M. recommendations.			