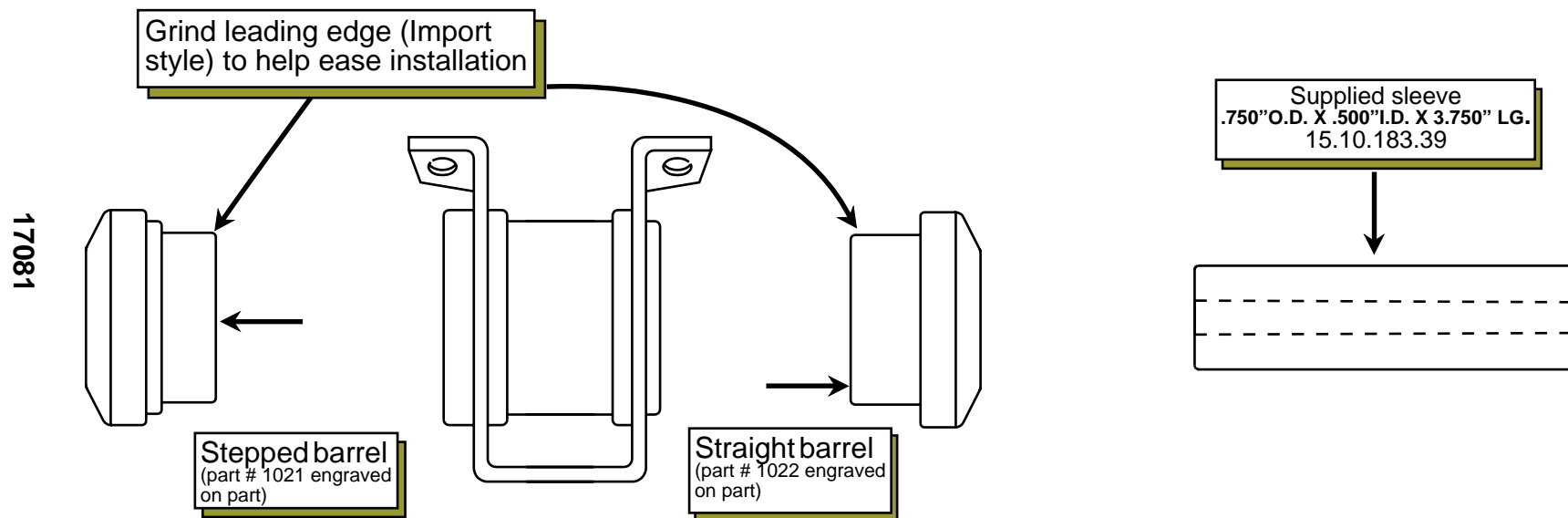


Set # 5-1101 Chrysler, Dodge and Plymouth transmission mount Installation Instructions



Installation instructions:

1. Remove the bracket assembly from the vehicle.
2. Remove all of the old rubber from inside of the original shell before installing the New Energy Suspension bushings. If heat is used to remove the old rubber, you need to only heat the outer shell enough to loosen the bond of the old rubber. Do NOT burn out the bushing. Always use the proper protective/safety gear for the job and work in a well ventilated area.
3. These "Hyperflex"™ replacement bushings were designed to fit the original equipment style outer shell with a step on one side as indicated in the diagram above. If you have a Import manufactured bracket, and it has a straight tube all the way through, you might have to grind a leading edge on the end of each bushing to get it started. The import style has a slightly smaller I.D., but the soft "Hyperflex"™ bushing will compress and conform. A vise works well in installing the new bushings.