

Installation instructions

For set # 8.7105

07-08 Toyota FJ Cruiser

03-08 Toyota 4Runner

03-08 Lexus GX 470



Rear Track Rod

Parts list:

4 - 2772 (track rod bushing)

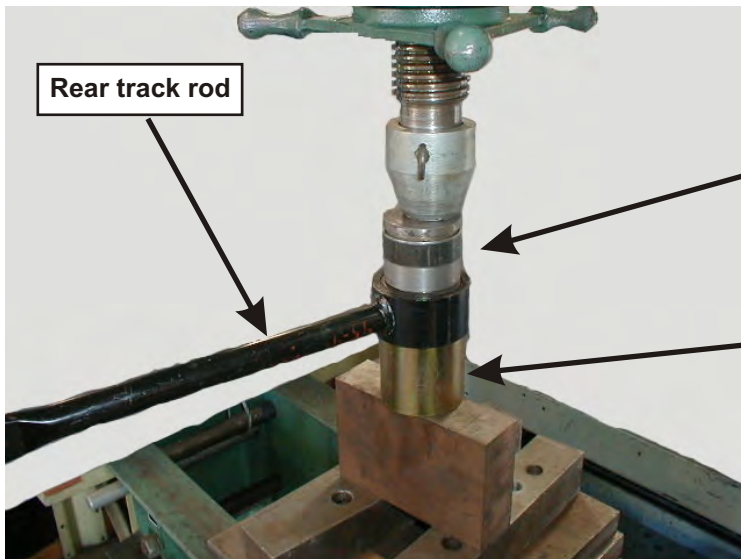
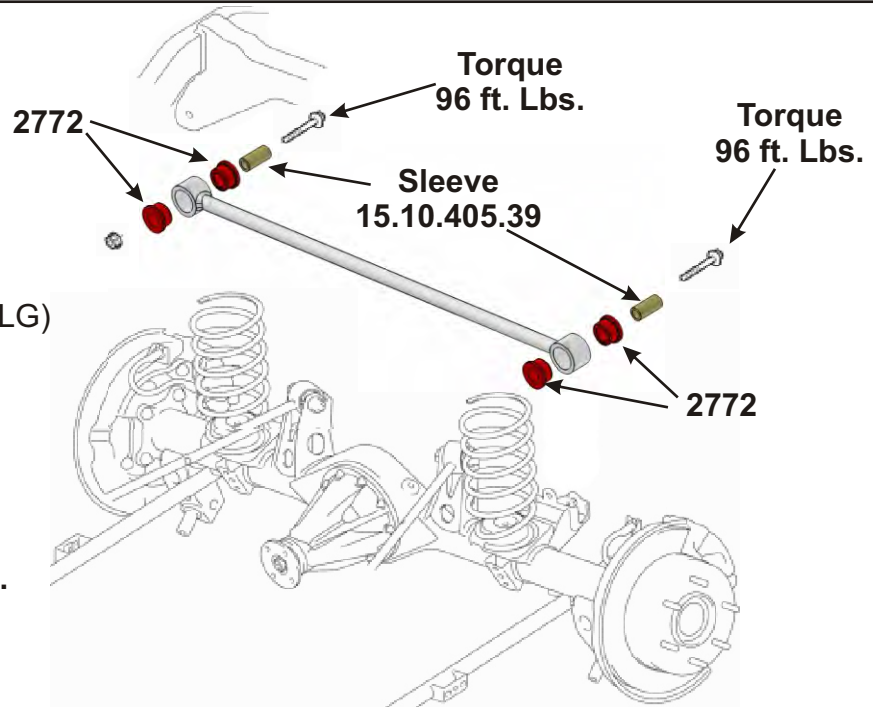
2 - 15.10.405.39

(sleeve 1.00"O.D. x .563" I.D. x 1.960" LG)

2 - 9.11108 (grease).

1 - 17538 (this instruction sheet).

Apply grease to all metal parts that contact the polyurethane bushings.



Inside Diameter of track rod is 1.417" (36mm). Push out old bushing with something smaller than 1.417".

Outside Diameter of original bushing is 1.417" (36mm). The inside of receiver needs to be bigger than 1.417".

When pressing out the original bushing, you need to push it with something smaller than the inside of the track rod. And the receiver end needs to be bigger than the outside of the old bushing being pushed out.

17538