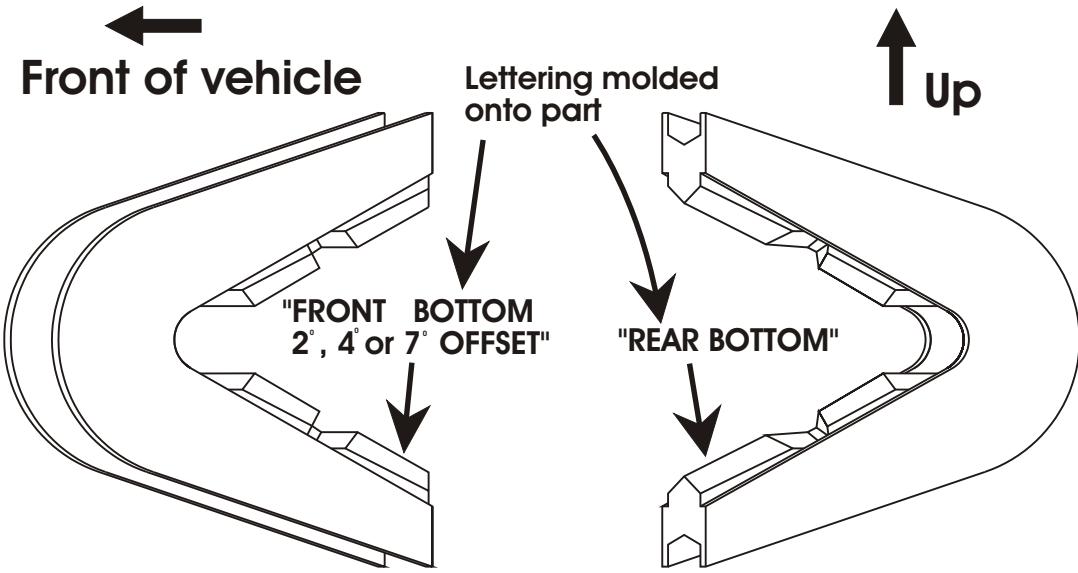


**Ford C-bushing  
installation instructions**



C-bushings are available in 2,4 and 7 degree positive caster. The recommended usage for the C-bushings is:

2degree Offset for stock to 2" lift,  
4 degree Offset for 2" to 4" lift and the  
7 degree Offset for more than a 4" lift.

Assemble the C-bushing orienting the lettering molded on the part as shown above.

17231