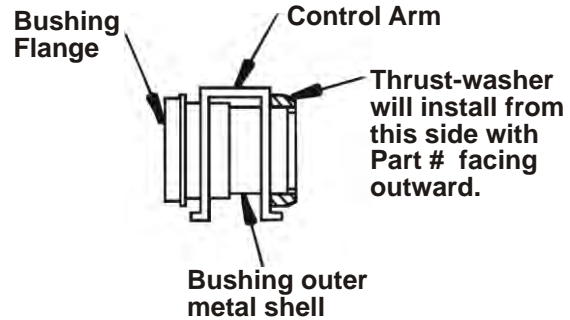


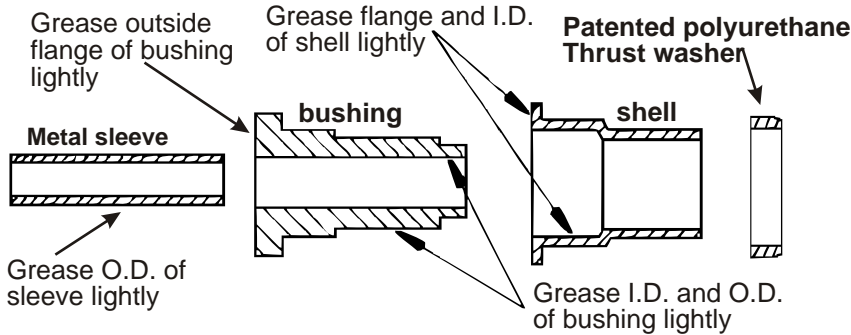
Installation instructions

For set # 3.3158 & 3.3159

Set # 3.3158	Set # 3.3159
Position #1,2,3	Position #1,2,3
3210 Bushing	3210 Bushing
3213 Thrust washer	3213 Thrust washer
Position # 4	Position # 4
3011 Bushing	3230 Bushing
3231 Thrust washer	3231 Thrust washer



MUST USE EXISTING OUTER METAL SHELLS AT POSITIONS # 1,2 & 3.



The thrust washers are designed to prevent the control arm from walking side-to-side by accepting side load pressure created during hard cornering. Most kits contain more than one part #. It is very important to install them at the correct location.

See illustration A

If your new bushing kit does not have new shells and/or sleeves, you must reuse the original shells and /or sleeves.

For ease of installation of bushing and sleeve (or new shell when supplied) disassemble new bushing unit. (When supplied install shell first). Grease I.D. of shell. Grease bushing and install in shell. Grease sleeve and install in bushing

IMPORTANT: Coat urethane bushing, sleeve and shell I.D. lightly with supplied grease. (all surfaces of bushings that contact metal)

Note: When reusing original shells, make sure inside surfaces are free of all old bushing material.

