

Multi Purpose Differential Thrust-Washer Instruction Sheet

The thrust washers are designed to prevent the control arm from walking side-to-side by accepting side load pressure created during hard cornering. Most kits contain more than one part #. It is very important to install them at the correct location. See illustration for your set #. Remember, apply a light amount of the supplied grease to all faces that contact metal.

Notes: On GM vehicles with a 12 bolt inspection cover, a slight modification must be done to one of Pt. # 3089. A flat area must be cut on thrust washer (see illustration) before installing. This allows for sufficient clearance between bushing outer shell and differential casting on drivers side upper. **(12 bolt only)**

Set # 3-3132: Vehicles with boxed in lower control arms use Pt. #3087 instead of Pt. # 3088. 1964-67 vehicles use Pt. # 3088

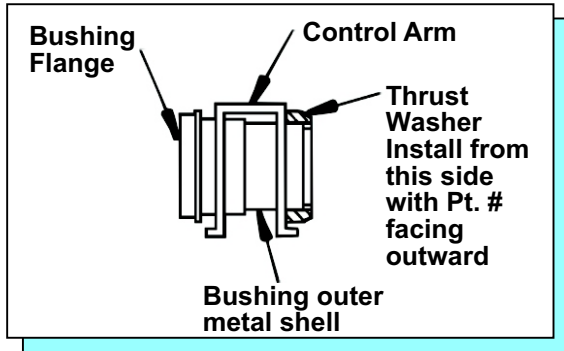
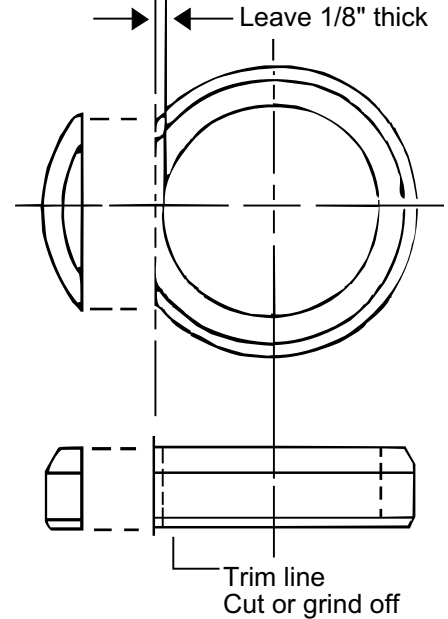


Illustration below is for modification of part # 3089 on G.M. 12 bolt only. Driver side upper rear washer.



Find your set # below. Use parts list with positional diagram **(A)**

Set # 3-3132(see Notes)
Position # 1 - 3088
Position # 2 - 3088
Position # 3 - 3087
Position # 4 - 3089

Set # 4-3120
Position # 1 - 3087
Position # 2 - 3087
Position # 3 - 3141

Set # 3-3133
Position # 1 - 3088
Position # 2 - 3088
Position # 3 - 3087
Position # 4 - 3110

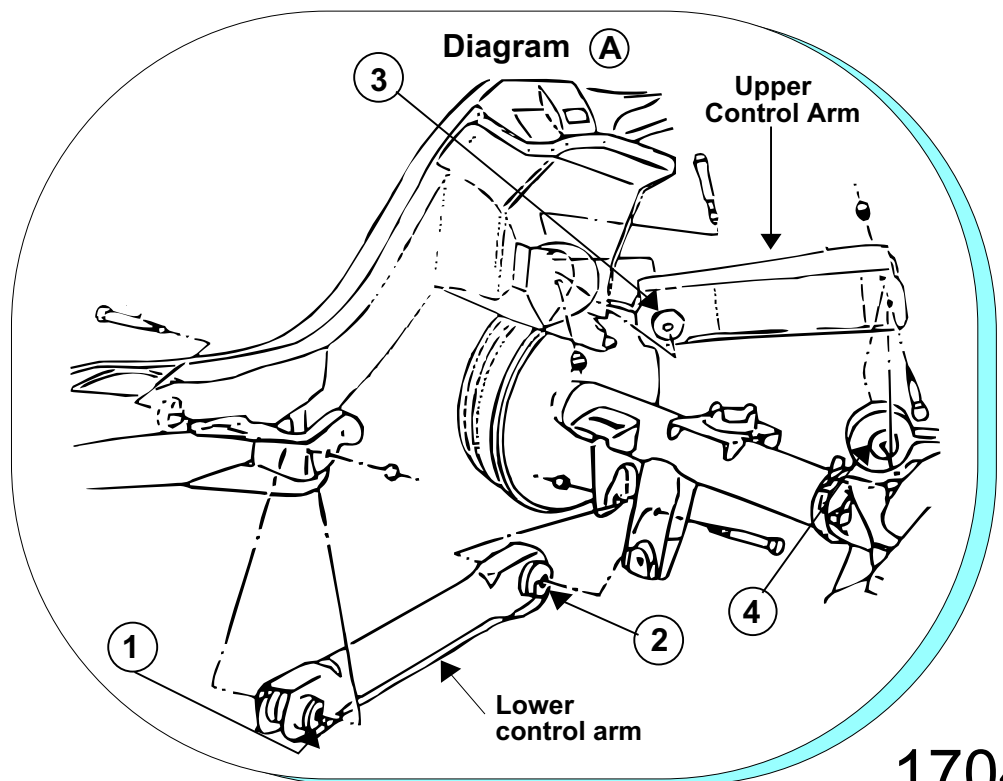
Set # 3-3136
Position # 1 - 3232
Position # 2 - 3232

Set # 3-3140
Position # 1 - 3128
Position # 2 - 3119
Position # 3 - 3114
Position # 4 - 3114

Set # 3-3141
Position # 1 - 3112
Position # 2 - 3112

Set # 4-3114 or 4-3135
Position # 1 - 3100
Position # 2 - 3101
Position # 3 - 3099
Position # 4 - 3098

Set # 4-3115
Position # 1 - 3109
Position # 2 - 3101
Position # 3 - 3099
Position # 4 - 3098



17041