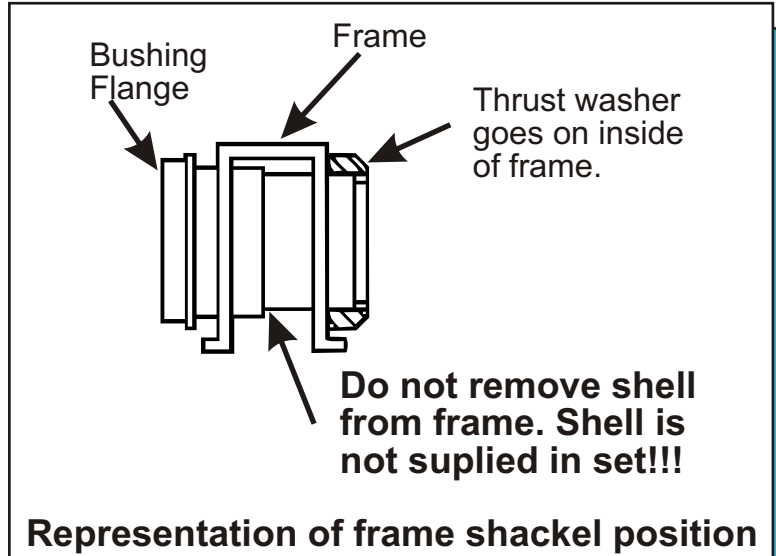


**Ford Explorer rear shackle bushing at frame  
Installation and removal Chevrolet S-10 Pick-up  
and S-10 Blazer 2WD & 4WD Mazda Navajo**

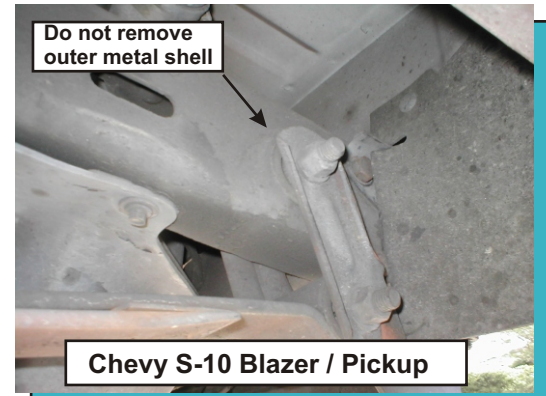
The outer metal shell of original bushing at the frame shackle position must be **reused**. The rubber is bonded to the shell and sleeve. Heat must be used to de-bond the rubber. Remove the inner sleeve first, then the rubber from the metal shell. Remove all old rubber from the shell.

**Note:**

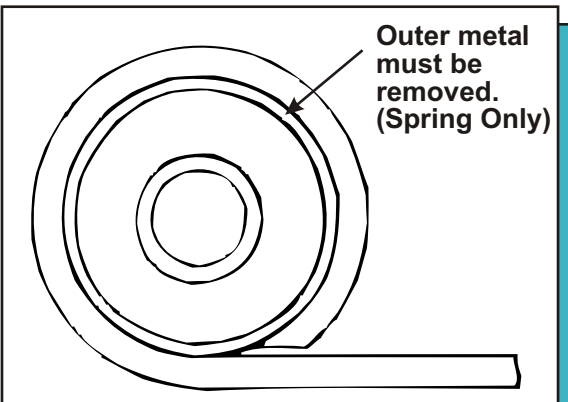
Shell cannot be removed from frame. A heat shield must be used to protect wires and body from damage. Use a wet rag to suppress any flames while heating metal sleeve and outer metal shell. Do not damage shell. Use extreme caution while heating.



**Always  
have a fire  
extinguisher  
close at  
hand**



**Spring Main Eye and Shackle bushing Installation (leaf spring only)**



**Remember:** Most spring eyes have an outer metal shell. The outer shell must be removed. A tool rental store will have a Porta-power to press out the shells from the spring eyes.



When installing Urethane bushings, apply grease as instructed: Remove the original rubber and outer shell (when used) clean I.D. of the spring eyes and frame brackets of any old rubber or rust with sand paper. Apply a light coat of grease to the eyes of both spring and frame brackets. Apply a light coat to the I.D., O.D. and flange of the bushings. (all surfaces that contact metal) Apply a light coat of grease to the O.D. of the sleeves.)

17060