

Installation Instructions Set # 2-3103 & Set # 2-3104

Must use existing outer metal shells. DO NOT REMOVE FROM CONTROL ARMS!!

Remove old I.D. sleeve and old rubber from the shells
Make sure the I.D. of the shells are clean and free of any old rubber

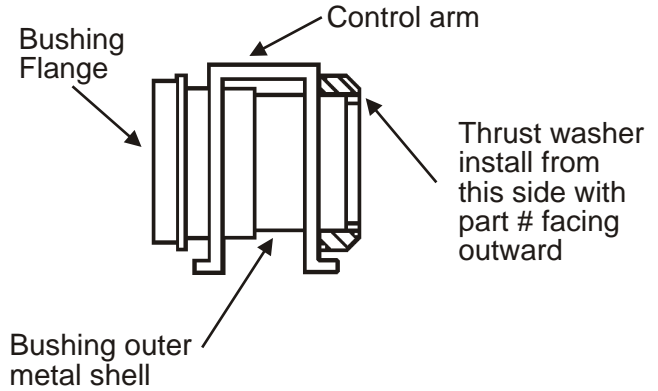
Apply a light coat of grease to the I.D. of the shell

Apply a light coat of grease to the I.D., O.D. and the flange

Apply a light coat of grease to the O.D. of the new metal sleeve

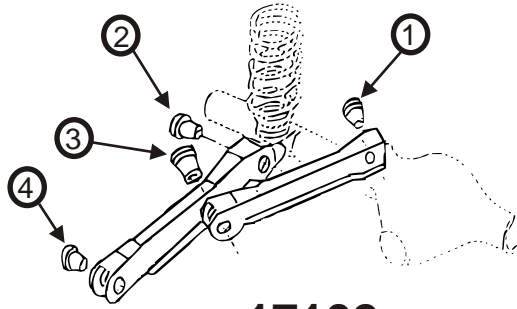
Install the bushing in the shell and install the sleeve last

Apply a light coat of grease to the faces of the thrust washer that contacts the metal surfaces



Set # 2-3103

Position	Part #
1 & 3	3102-88 bushing 3117 thrust washer
2	3103-88 bushing 3116 thrust washer
4	3209 bushing 3226 thrust washer



17102

Set # 2-3104

Position	Part #
1 & 3	3102-88 bushing 3117 thrust washer
2 & 4	3103-88 bushing 3116 thrust washer