

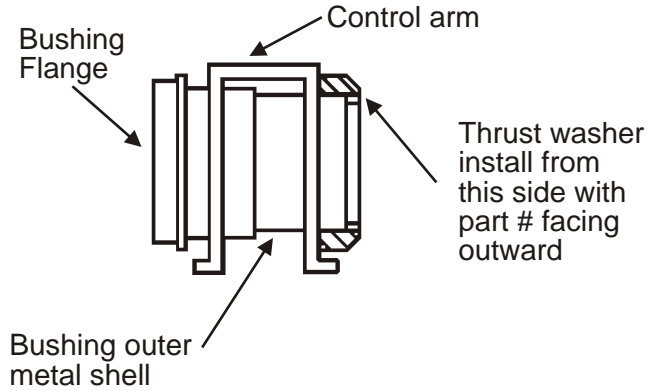
## Installation Instructions Set # 2-3103 & Set # 2-3104

**Must use existing outer metal shells. DO NOT REMOVE FROM CONTROL ARMS!!**

Remove old I.D. sleeve and old rubber from the shells  
Make sure the I.D. of the shells are clean and free of any old rubber

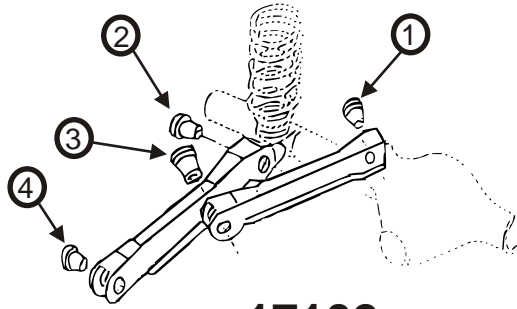
Apply a light coat of grease to the I.D. of the shell  
Apply a light coat of grease to the I.D., O.D. and the flange  
Apply a light coat of grease to the O.D. of the new metal sleeve

Install the bushing in the shell and install the sleeve last  
Apply a light coat of grease to the faces of the thrust washer that contacts the metal surfaces



### Set # 2-3103

Position	Part #
1 & 3	3102-88 bushing 3117 thrust washer
2	3103-88 bushing 3116 thrust washer
4	3209 bushing 3226 thrust washer



### Set # 2-3104

Position	Part #
1 & 3	3102-88 bushing 3117 thrust washer
2 & 4	3103-88 bushing 3116 thrust washer