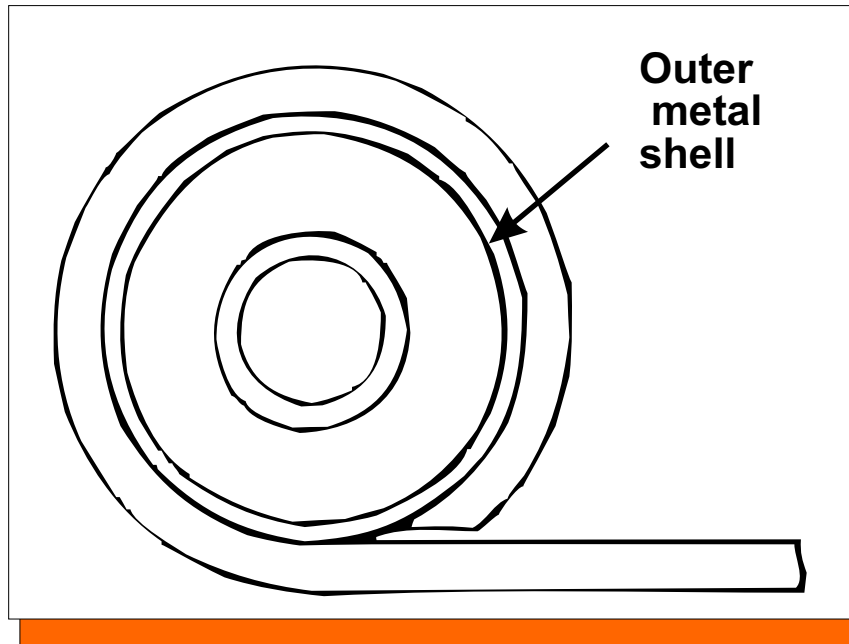


# Spring Main Eye and Shackle bushing Installation Instructions



Updated 19/DEC/01 BRH

17040



**Note:** When a sleeve is not used, apply a light coat of grease to the original shoulder bolt.  
**Remember:** Most spring eyes have an outer metal shell. Some shackles are this way as well. The outer shell must be removed.

When installing Urethane bushings, apply grease as instructed: Remove the original rubber and outer shell (when used) clean I.D. of the spring eyes and frame brackets of any old rubber or rust with sand paper. Apply a light coat of grease to the eyes of both spring and frame brackets. Apply a light coat to the I.D., O.D. and flange of the bushings. (all surfaces that contact metal) Apply a light coat of grease to the O.D. of the sleeves.)