

Installation Instructions for set # 16-10101, 16-10102, 16-10103 and 16-10104

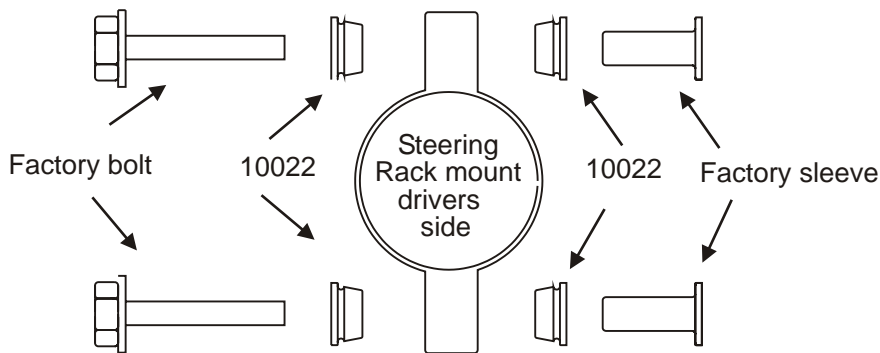


It is recommended that if you are unfamiliar with this type of work that you refer to a qualified service center specializing in this type of work. It is also recommended that if you choose to do this work yourself that a factory service manual be obtained for the proper procedures pertaining to removal, replacement and proper torque specifications for your vehicle. This instruction set is intended as a guideline for the safe installation of Energy Suspension's polyurethane bushings, once you have removed the factory components from your vehicle.

Steering rack bushing

1. Follow the factory manual for the procedure on removing the steering rack mount bushings.
2. Part # 10022 is used on the drivers side.(power steering and non-power steering models)
3. Part # 10023 or 10024 is used on the passengers side. Part # 10023 is used in set # 16-10101. Part # 10024 is used in set # 16-10102. Part # 10025 is used in set # 16-10103. Part # 10037 is used in set # 16-10104.

Note: Part # 10023, 10024 and 10025 will only fit on power steering equipped vehicles.(this bushing is not available for non-power steering models.)



17153

7/25/96 KN
Updated 18/FEB/02 BRH
Updated 14/AUG/03 BRH