

Installation Instructions

For set # 8.3114

96-98 Toyota Rav 4

Rear control arm bushings

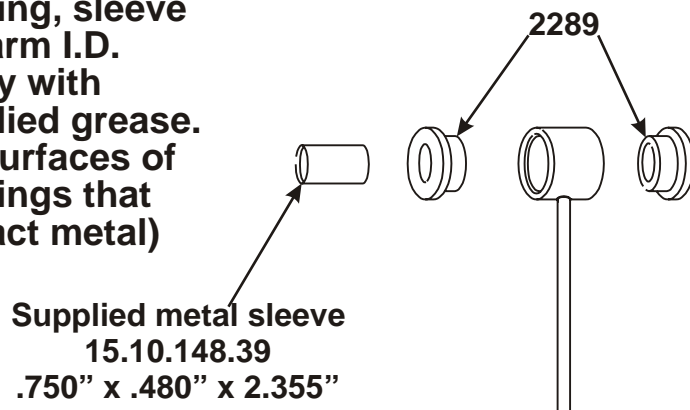


It is recommended that if you are unfamiliar with this type of work that you refer to a qualified service center specializing in this type of work. It is also recommended that if you choose to do this work yourself that a factory service manual be obtained for the proper procedures pertaining to removal, replacement and proper torque specifications for your vehicle. This instruction set is intended as a guideline for the safe installation of Energy Suspension's polyurethane bushings, once you have removed the factory components from your vehicle.

1. Properly support the vehicle on the frame.
2. Remove the control arms
3. Press out the old rubber bushing from the lower control arm. Use extreme care to not scar the inside surface of the barrel! If you make any marks on this surface, use a piece of emery cloth to smooth out.
4. Grease the inside of the barrel and the inside and outside of the polyurathane bushing. Install the bushings into the control arms. Grease and install the sleeves.
5. Reinstall the control arms and tighten all hardware back to factory specs.
6. Tighten all fasteners. Realign the vehicle. This is very important for tire wear and safety.

IMPORTANT:
Coat urethane bushing, sleeve and arm I.D. lightly with supplied grease. (All surfaces of bushings that contact metal)

Upper rear control arm



Lower rear control arm.

