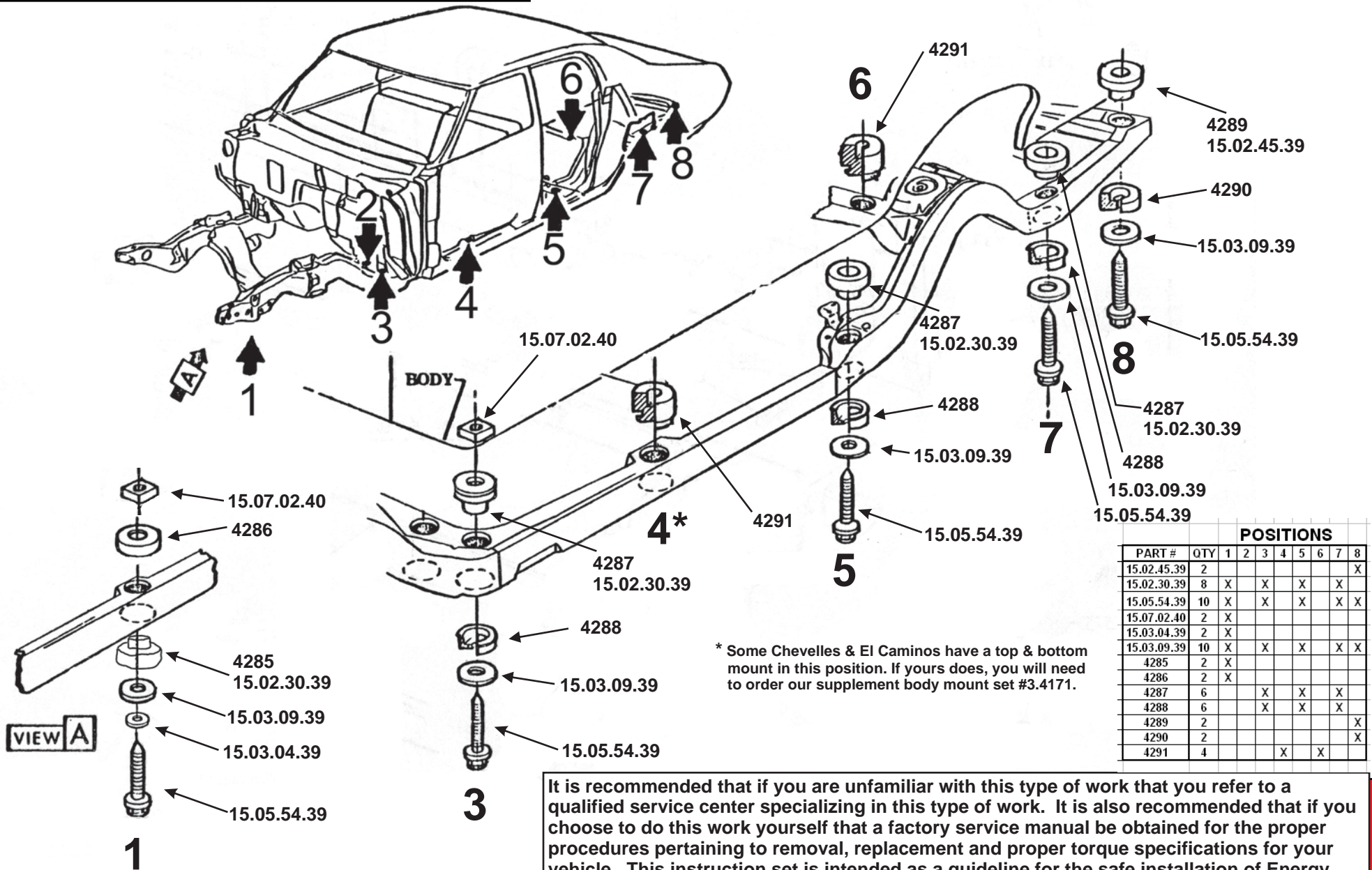


Installation instructions

For set # 3.4170
1968-1972 CHEVY CHEVELLE



* Some Chevelles & El Caminos have a top & bottom mount in this position. If yours does, you will need to order our supplement body mount set #3.4171.

PART #	QTY	POSITIONS							
		1	2	3	4	5	6	7	8
15.02.45.39	2								X
15.02.30.39	8	X		X		X		X	X
15.05.54.39	10	X		X		X		X	X
15.07.02.40	2	X							
15.03.04.39	2	X							
15.03.09.39	10	X		X		X		X	X
4285	2	X							
4286	2	X							
4287	6			X		X		X	
4288	6			X		X		X	
4289	2								X
4290	2								X
4291	4					X		X	

It is recommended that if you are unfamiliar with this type of work that you refer to a qualified service center specializing in this type of work. It is also recommended that if you choose to do this work yourself that a factory service manual be obtained for the proper procedures pertaining to removal, replacement and proper torque specifications for your vehicle. This instruction set is intended as a guideline for the safe installation of Energy Suspension's polyurethane bushings, once you have removed the factory components from