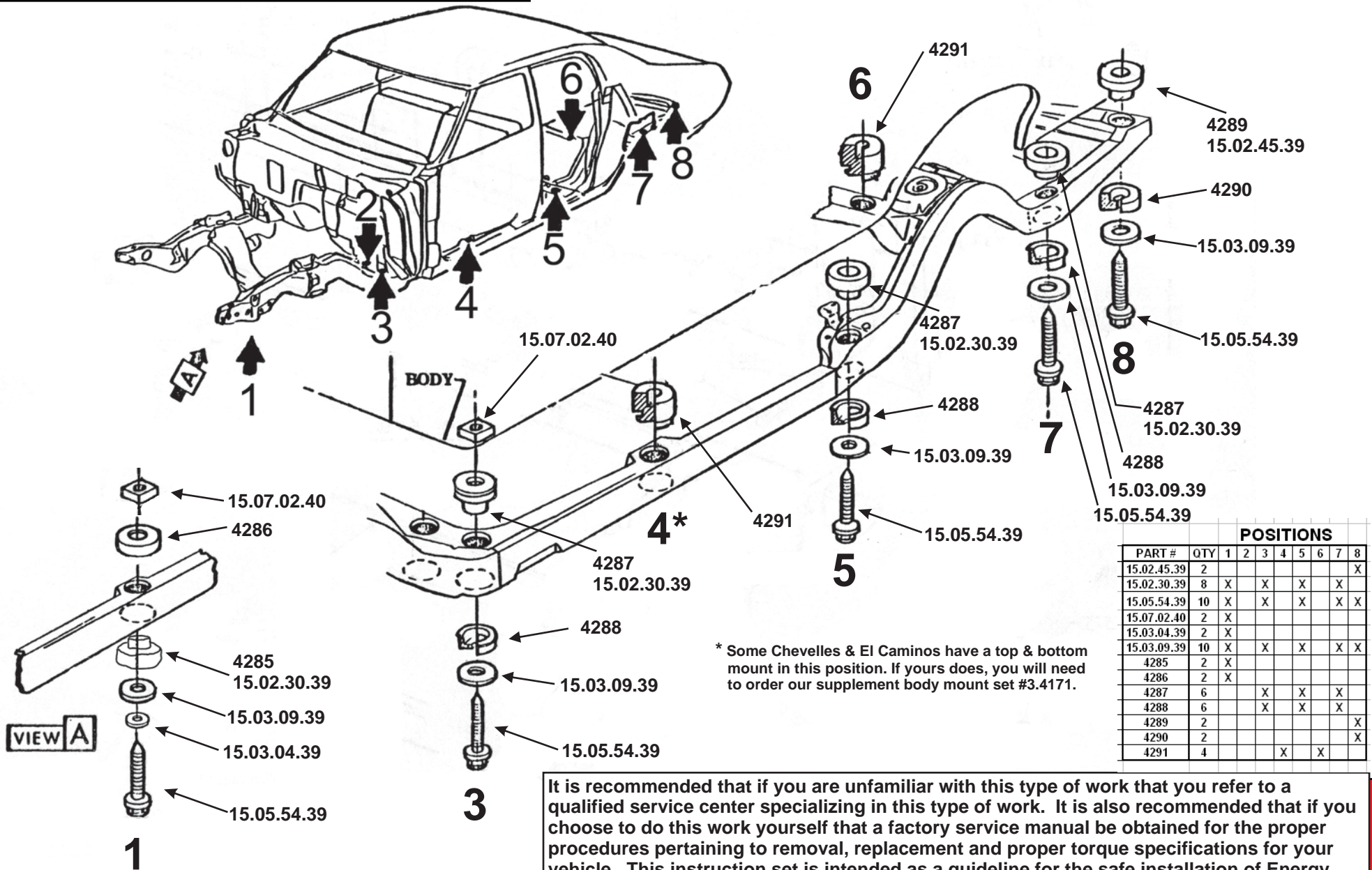


Installation instructions

For set # 3.4170
1968-1972 CHEVY CHEVELLE



* Some Chevilles & El Caminos have a top & bottom mount in this position. If yours does, you will need to order our supplement body mount set #3.4171.

It is recommended that if you are unfamiliar with this type of work that you refer to a qualified service center specializing in this type of work. It is also recommended that if you choose to do this work yourself that a factory service manual be obtained for the proper procedures pertaining to removal, replacement and proper torque specifications for your vehicle. This instruction set is intended as a guideline for the safe installation of Energy Suspension's polyurethane bushings, once you have removed the factory components from