

Installation Instructions for Set #3-4126

Read these instructions carefully before installing mounts.

Spray generously all nuts to be removed with your favorite rust buster.

NOTE: Be sure on disassembly to note the quantity and positions of any shims that may have been inserted for body alignment. These shims will have to be re-used to insure proper body alignment.

Install mounts one side at a time with bolts on other side loosened only!

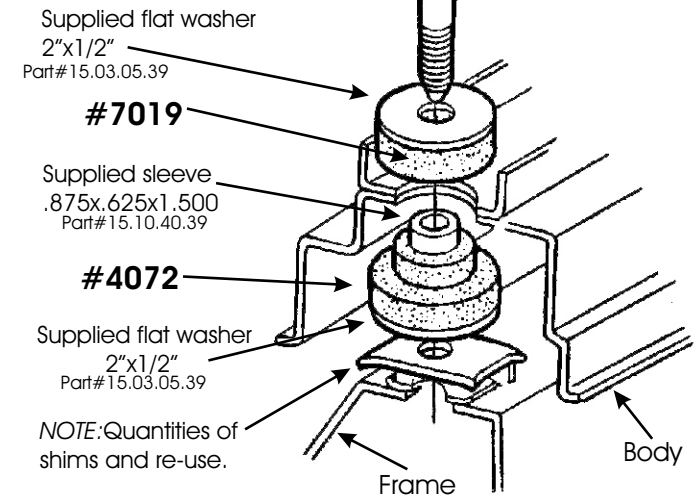
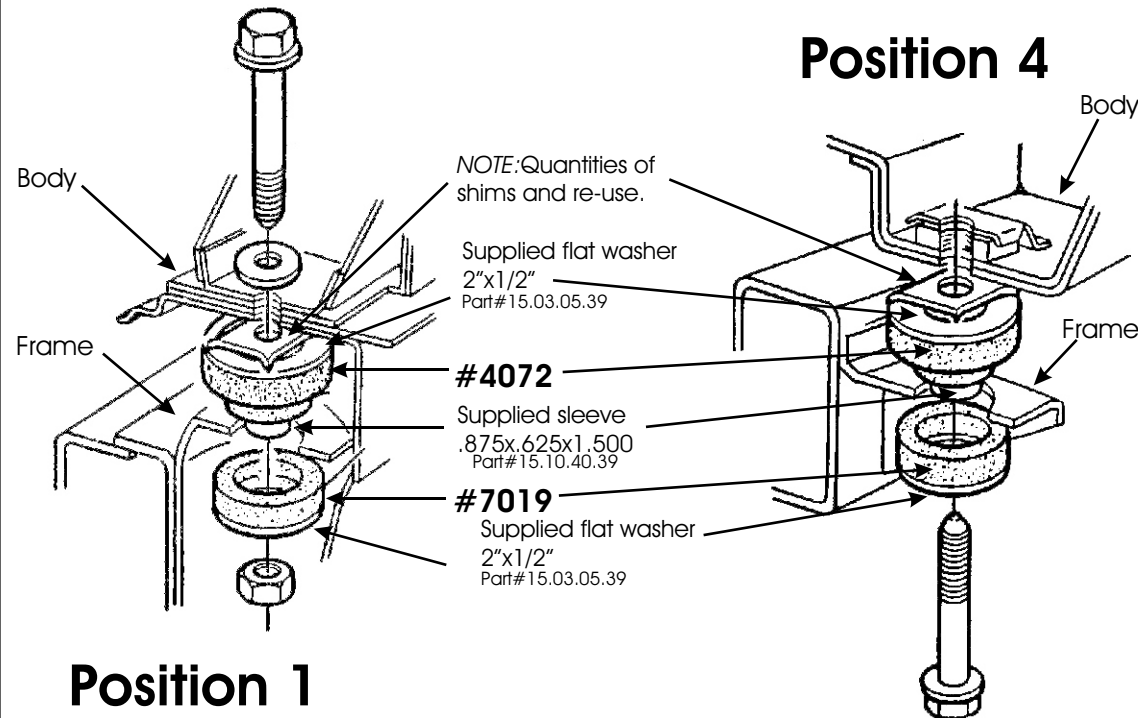
REMEMBER: Only raise body high enough to remove & replace mounts. Always watch the fan shroud for sufficient clearance when raising body. When jacking body use a long enough 2x4 - 4x4 for maximum support. Never put jack directly on body panels.

Re-torque to factory specifications.

NOTE: Actual parts may vary from graphical depiction below.

ENERGY SUSPENSION®

Frame Position Diagram



Positions 2&3