

## Removal

**Spray all nuts to be removed generously with your favorite rust buster.**

**Note:** When disassembling, note the quantity and positions of any shims that may have been inserted for body alignment. These shims will have to be reused to insure proper body alignment.

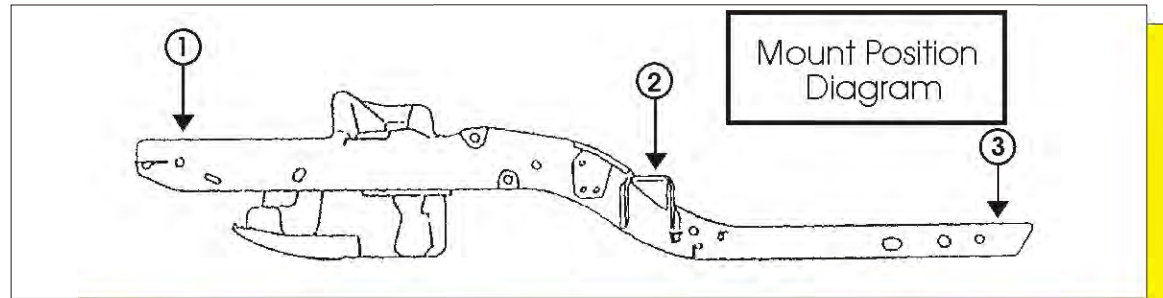
**Remember:** Only raise body high enough to remove & replace mounts. Always watch the fan shroud for sufficient clearance when raising the body. When jacking the body use a long enough 2X4 or 4X4 for maximum support. Never put jack directly on body panels.

Install mounts one side at a time with bolts on other side loosened only.

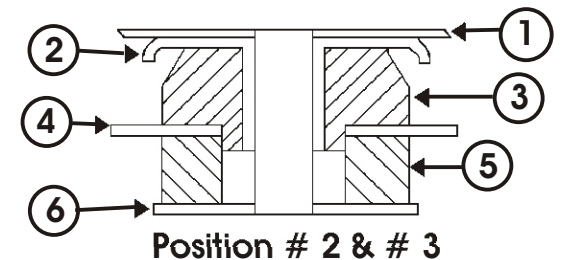
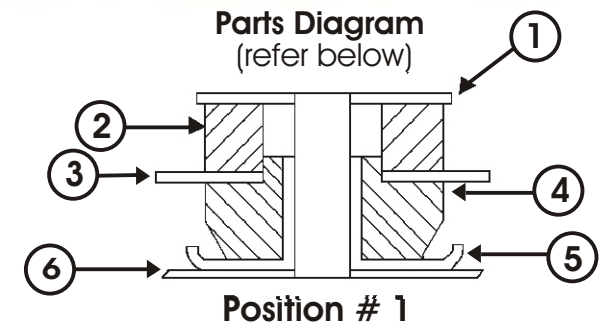
**Retorque to factory specs.**

# Set # 3-4101

# ENERGY SUSPENSION®



©2000 Energy Suspension. All rights reserved.  
May not be reproduced, in any form, or by any means,  
without the written consent of Energy Suspension.



**Must re-use original hardware**

### POSITION # 1

1. Factory washer
2. 4002
3. Core support Bracket
4. 4001
5. Factory sleeve
6. Frame

### POSITION # 2

1. Body
2. Factory sleeve
3. 4005
4. Frame
5. 4004
6. Factory washer

### POSITION # 3

1. Body
2. Factory sleeve
3. 4003
4. Frame
5. 4004
6. Factory washer