

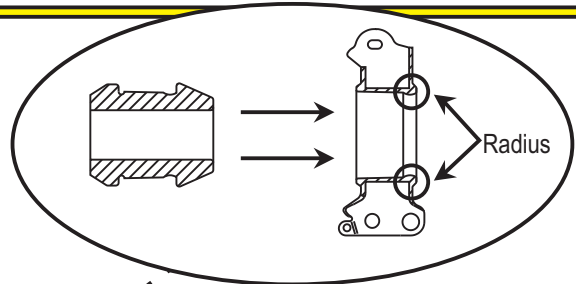
# Installation Instructions for Set # 16-3105



1. Properly support the vehicle on the frame. Remove the upper control arm and pivot bushing assembly from the vehicle. Unbolt the upper control arm from the pivot bushing assembly(see diagram).
2. Remove the rubber bushing and shells from the upper pivot bushing assembly. A hydraulic press will be needed. Grease all sides of the bushing that contact metal. Press in the Energy Suspension bushing. Note: On the upper control arm, the bushings have a part number engraved in them. The engraved side on each bushing must be facing each other. (see diagram). Grease and install the sleeve.
3. Reassemble and reinstall the upper control arm assembly onto the vehicle.
4. Remove the lower control arm. Press out the inner control arm bushing and shell(front position) from the control arm. Unbolt the rear mount from the control arm. Press out the rubber bushing and sleeve from the mount.
5. Grease the I.D. of the lower control arm (where the shell was) and the rear mount. Grease all sides of the bushing that will contact metal.
6. Install the bushings. The rear mount bushing needs to be installed so that the part number engraved on the bushing is facing towards the front of the vehicle. See diagram. Grease the sleeve and install the sleeve.
7. Reassemble the control arm onto the vehicle. Tighten all fasteners to factory specs.
8. Realign vehicle.

## Other Energy Suspension Sets Available for this vehicle:

16-3104	Rear end control arm set (lower only)
16-8102	Front shock bushing set
16-8103	Rear shock bushing set
16-13101	Balljoint boot set
9-13103	Tie-rod boots
16-1102	Manual trans. shifter stabilizer
16-10102	Steering rack bushing
16-3109	Rear lower control arm set (Acura Only)
16-1101	Manual trans shifter stabilizer (Acura only)



Factory Bolt  
15.10.245 Sleeve  
.750x.480x1.960

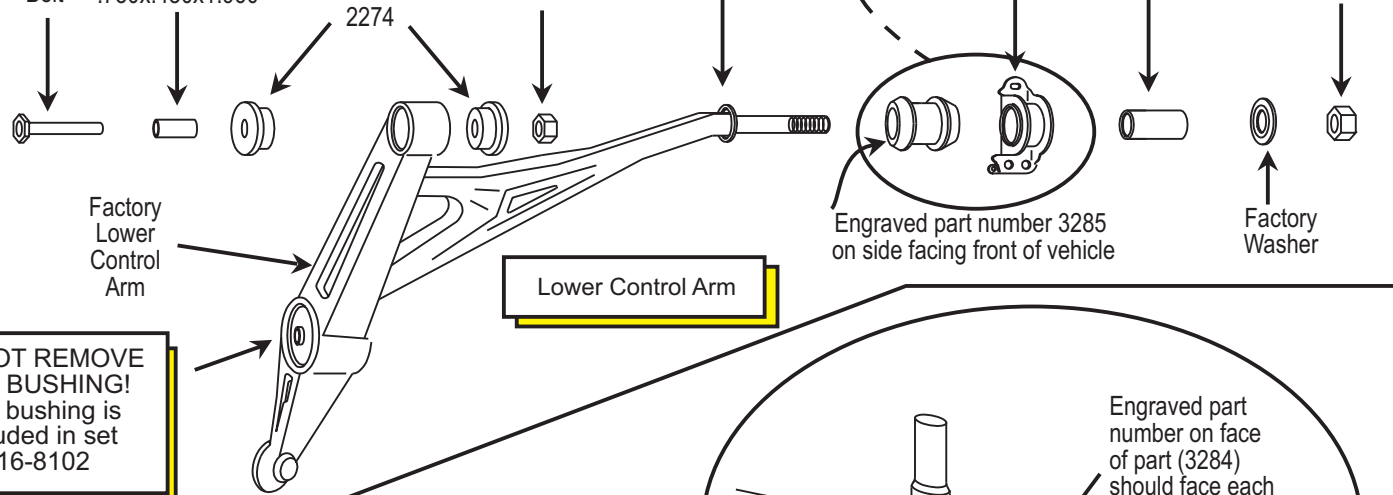
Factory Nut

Factory Washer

Factory Bracket

15.10.246 Sleeve  
1.00x.718x2.277

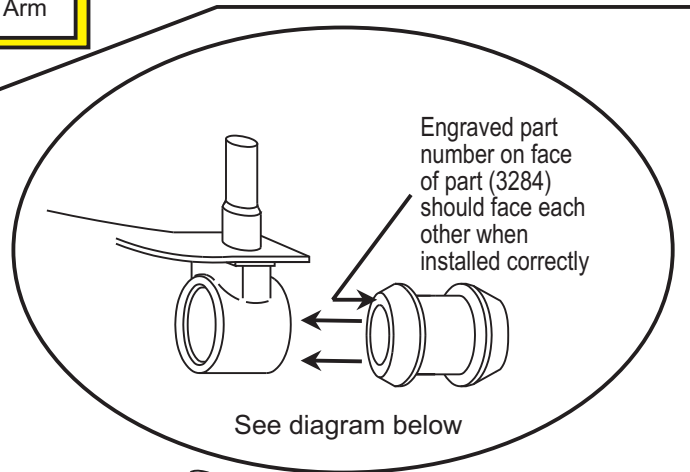
Factory Nut



**DO NOT REMOVE THIS BUSHING!**  
This bushing is included in set #16-8102

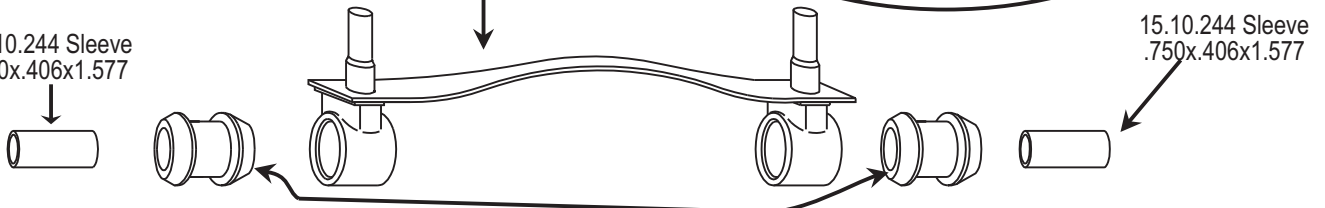
UpperControl Arm

Factory upper control arm pivot bracket



15.10.244 Sleeve  
.750x.406x1.577

15.10.244 Sleeve  
.750x.406x1.577



Part number (3284) engraved on bushings should face each other when installed properly.