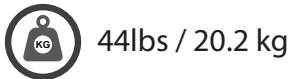
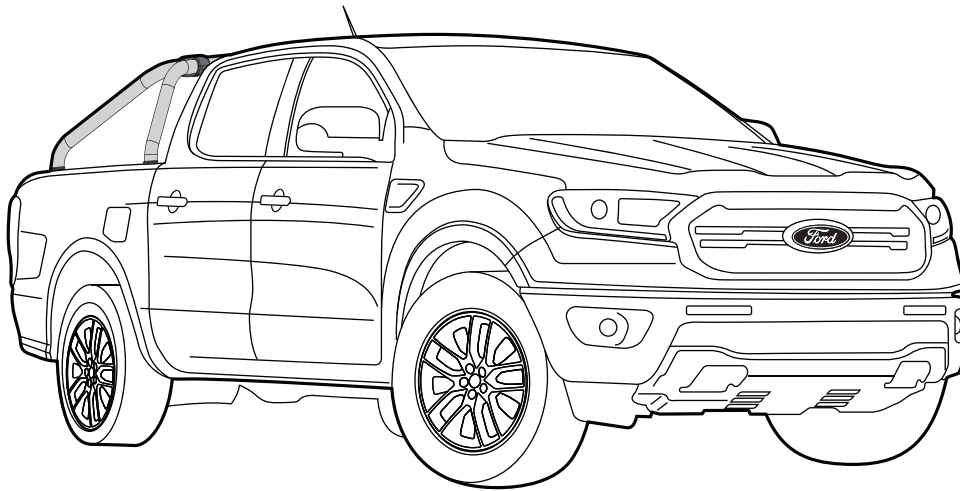


# SPORTS BAR INSTALLATION INSTRUCTIONS



**ACCESSORY PART NUMBER:** VKB3Z-99518K00-A (Polished Finish) / VKB3Z-99518K00-B (Black Finish)

**MODEL YEAR:** 19 ONWARDS

## IMPORTANT:

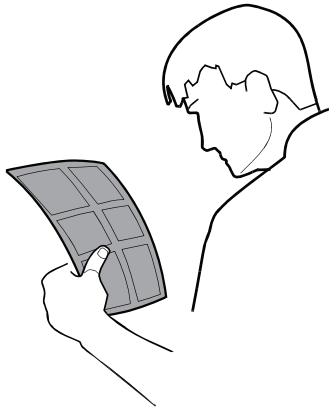
Please read each step of these instructions carefully prior to commencing installation!

Place these instructions in the vehicle's glovebox after installation is complete

## IMPORTANT:

- Do not use this product in any other motor vehicle for which it is not designed.
- Do not use any other mounting location / method other than described in this instruction.
- It is advisable to seek assistance of another person when installing this product.
- Do not remove the label from the Sports Bar.
- Ensure all torque settings are followed.

**Beware of belts, buckles zippers, etc. when lifting Sportsbar as these will easily damage the finish.**



### SAFETY PRECAUTIONS

Follow all standard workshop and occupational health and safety practices during the installation and re-work process.

Safety glasses, hearing protection and gloves must be used where necessary.

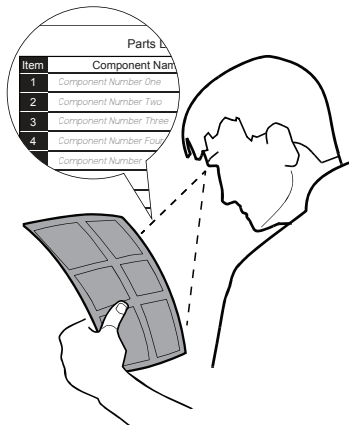
Avoid contact with the hot steel when the vehicle tray is being drilled or cut.

Clean up the swarf immediately to avoid a slipping hazard.



Product is decorative only and is not a safety feature!  
Once installed, product does not enhance vehicle structure, integrity or safety.  
The sport bar is not designed to prevent injury or death in the event of a roll-over or other type of accident while the sportbar is installed

### ■ INSTALLATION PRECAUTIONS



### STOCKTAKE OF PARTS

Read instructions thoroughly and check all the supplied Sports Bar parts and fasteners against the bill of materials before commencing the assembly or installation of the Sports Bar.

### ■ STOCKTAKE OF PARTS ( PARTS LIST IN ILLUSTRATION IS AN EXAMPLE ONLY )



#### CLEANING

Use a firm water spray to remove any loose dirt from the part.

Wash with water, detergent and a soft cloth or sponge.

Do not use petroleum based solvents

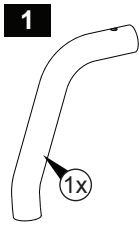
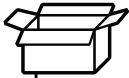
For polished parts surfaces can be maintained using metal polishes



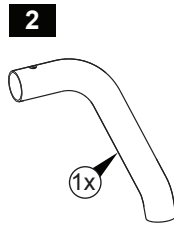
#### MAINTENANCE

Check and re-tighten all securing nuts and bolts every 20,000 km's.

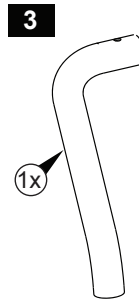
# PARTS LIST



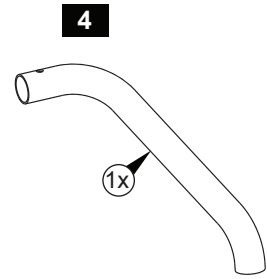
1 Front Leg Left (LF)



2 Front Leg Right (RF)



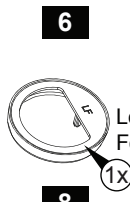
3 Rear Leg Left (LR)



4 Rear Leg Right (RR)



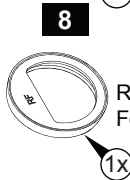
5 Left Rear Footcup



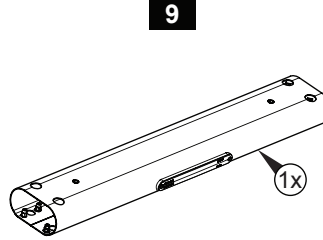
6 Left Front Footcup



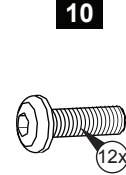
7 Right Rear Footcup



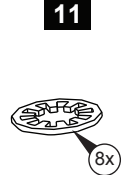
8 Right Front Footcup



9 Center Piece



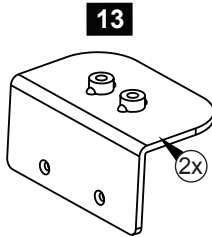
10 M8 x 30 mm Screw



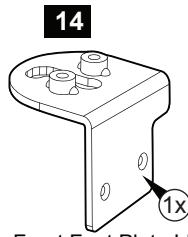
11 M8 Internal Lock Washer



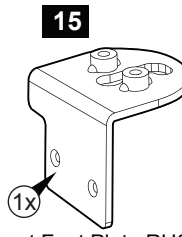
12 M8 x 24 Flat Washer



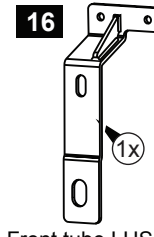
13 Rear Baseplate



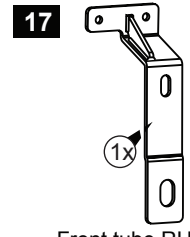
14 Front Foot Plate LHS



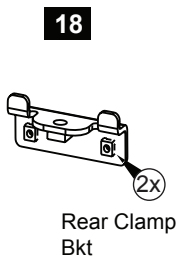
15 Front Foot Plate RHS



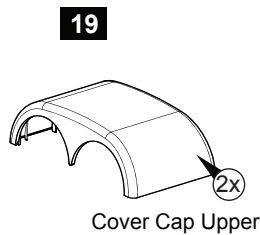
16 Front tube LHS attachment Bkt



17 Front tube RHS attachment Bkt



18 Rear Clamp Bkt



19 Cover Cap Upper



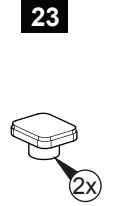
20 Cover Cap Lower



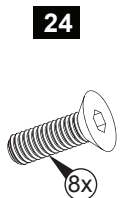
21 M5X85 Pan Head Screw



22 M10x65 Hex Head Bolt



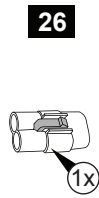
23 Screw Cap



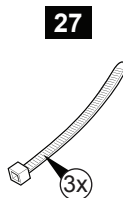
24 M8x30 Foot Counter Sink Screw



25 M6x20 Bracket Screw



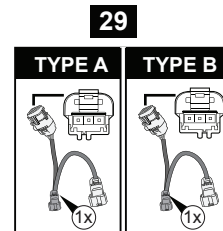
26 Stop Lamp Loom Plug



27 Cable Ties



28 M50 Square Nut

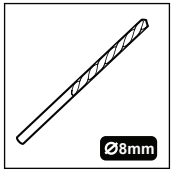
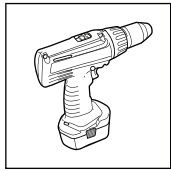
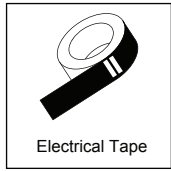
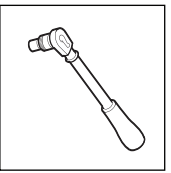
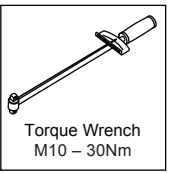
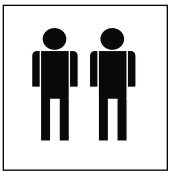
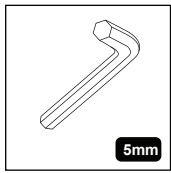
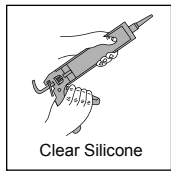
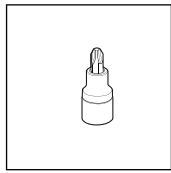
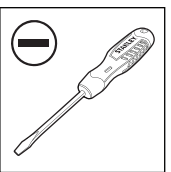
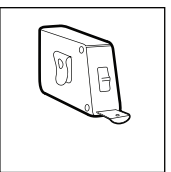
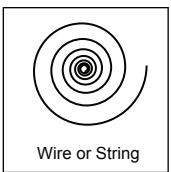
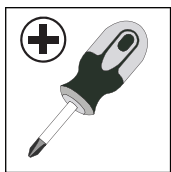
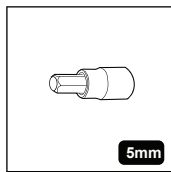
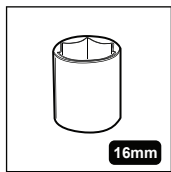
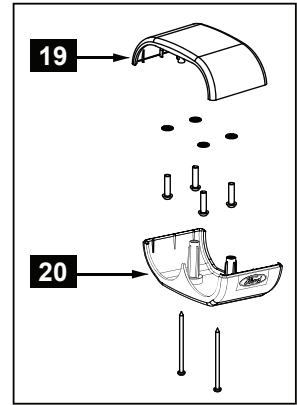
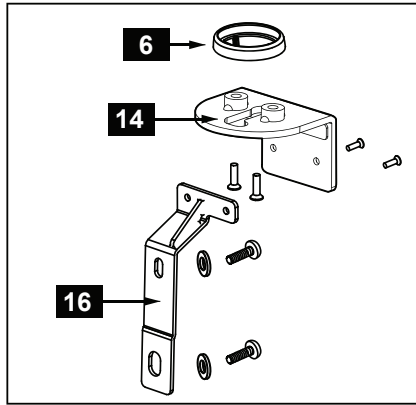
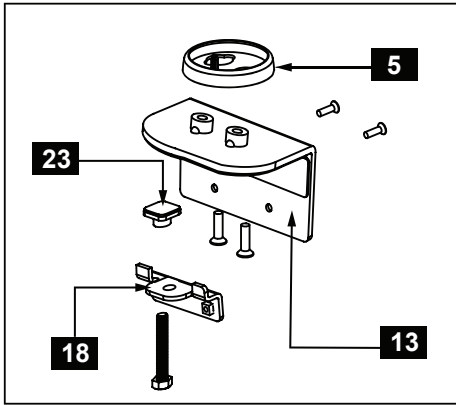
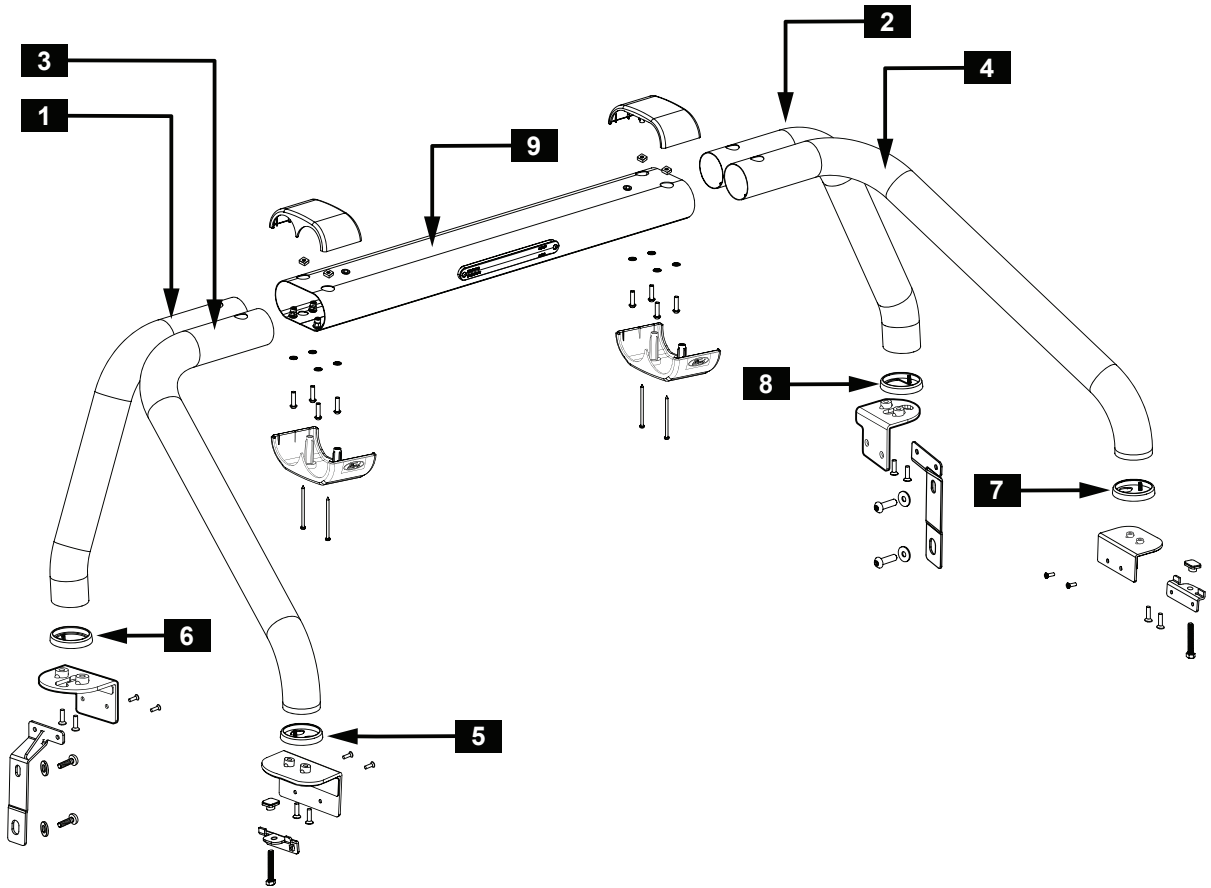


29 Vehicle Patch Looms

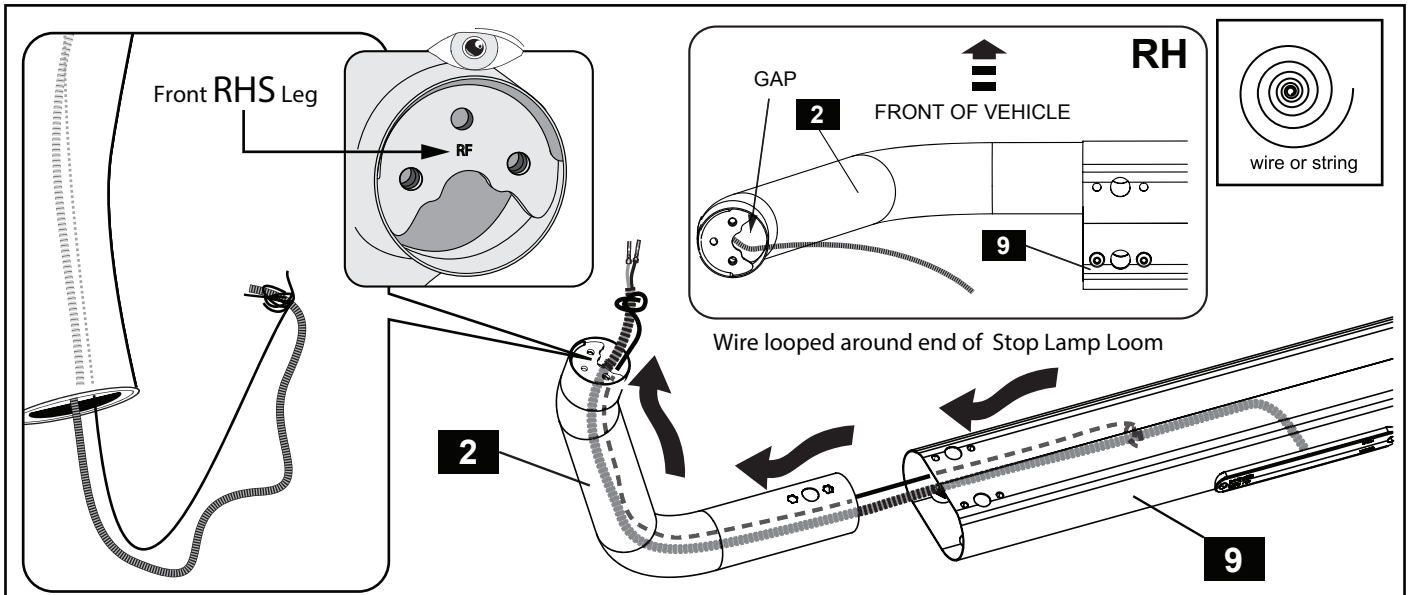


30 Extension Loom

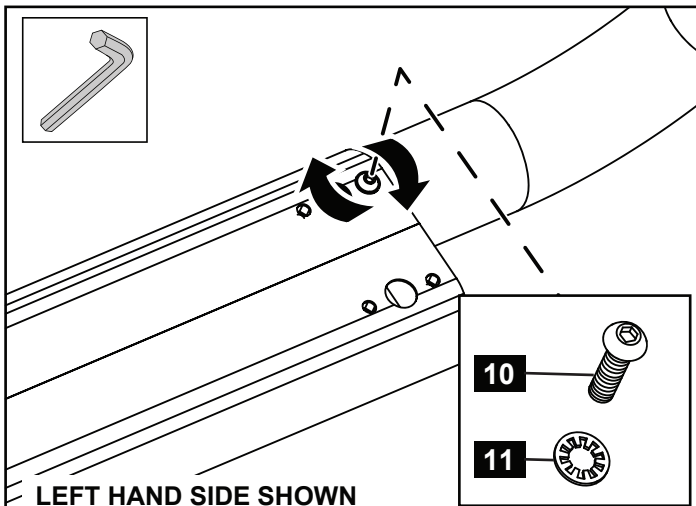
# EXPLODED DRAWING AND REQUIRED TOOLS



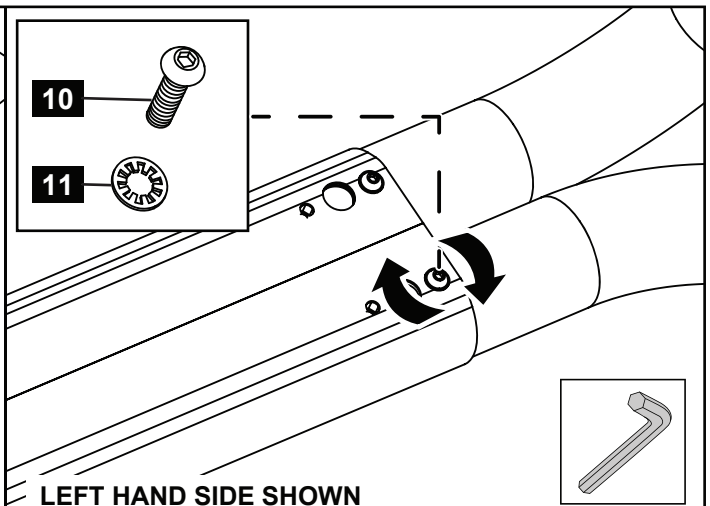




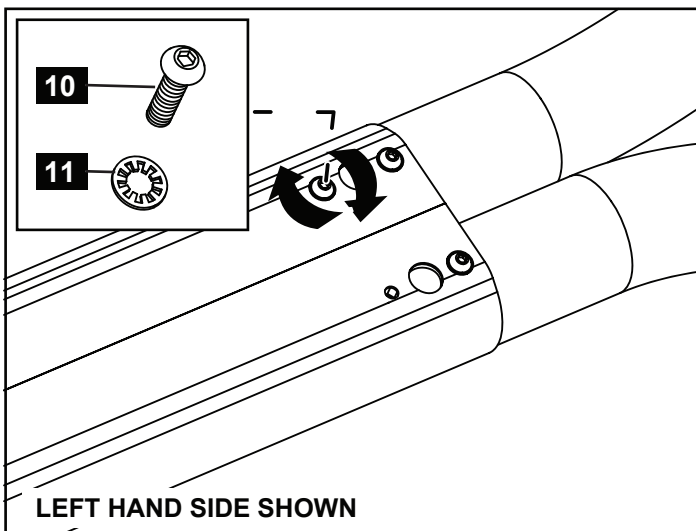
1. Place the center piece (9) on a soft surface so that the side with six holes per side is facing up (this is the underside of the part). Locate the Stop Lamp Wiring Loom inside the center piece (9) and pull through as shown. Insert a wire or piece of string through the gap in the foot of the RHS Front Leg (RF) (1), and use this to pull the stop lamp loom through the leg.



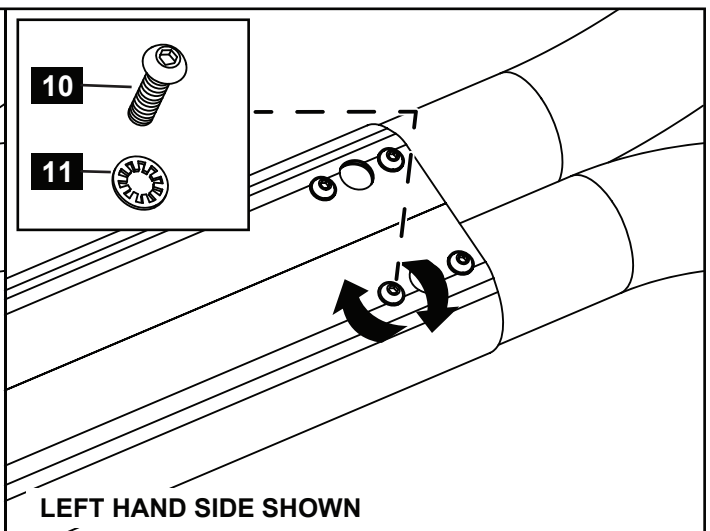
2. Take the RHS Front Leg RF (2) & LHS Front Leg LF (1) and install into the forward half of the Center Piece. Fasten using M8 Pan Head Screws (10) and M8 Internal Lock Washers (11). Do not fully tighten screws.

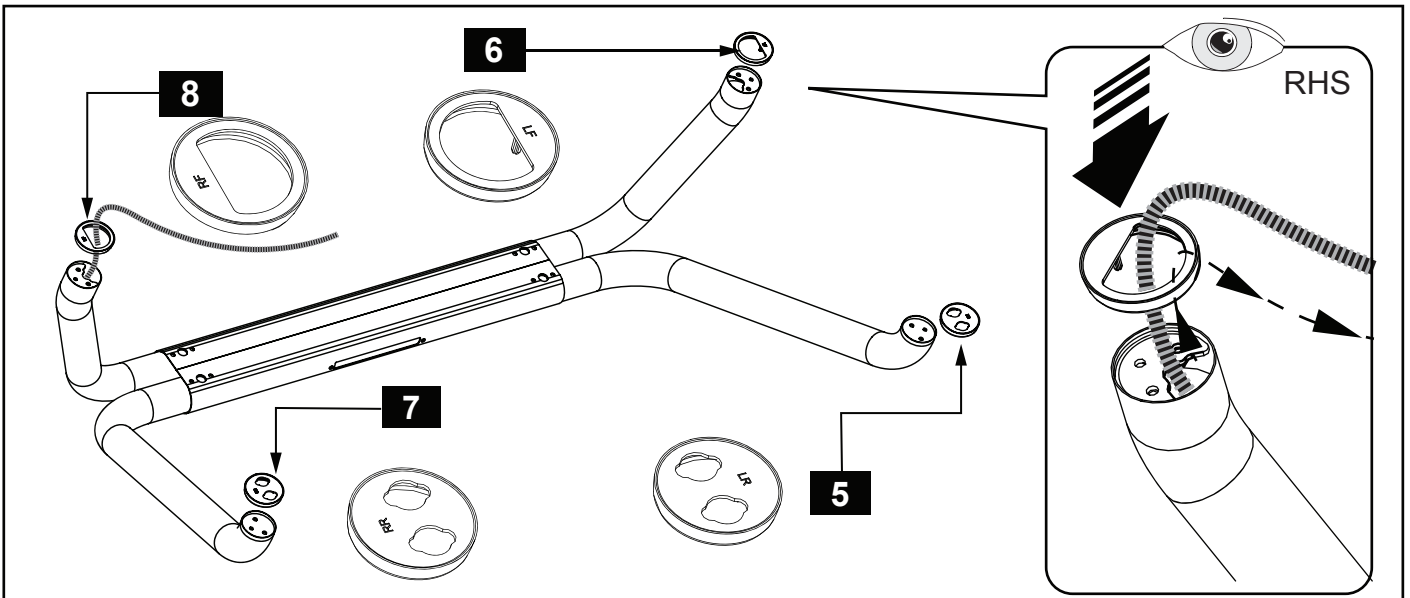


3. Take the RHS Rear Leg RR (4) & LHS Rear Leg LR (3) and install into the back half of the Center Piece. Fasten using M8 Pan Head Screws (10) and M8 Internal Lock Washers (11). Do not fully tighten screws.

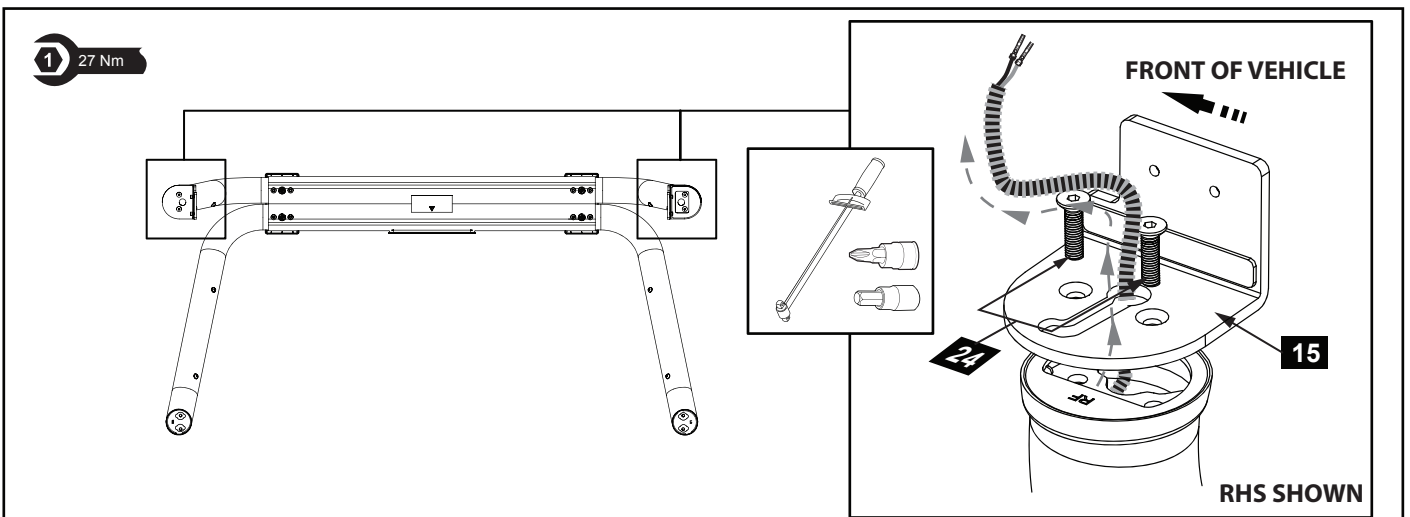


4. Install the remaining 2x M8 Pan HeadHex Screws (10) and M8 Internal Lock Washers (11) at each side. Do not fully tighten the screws.

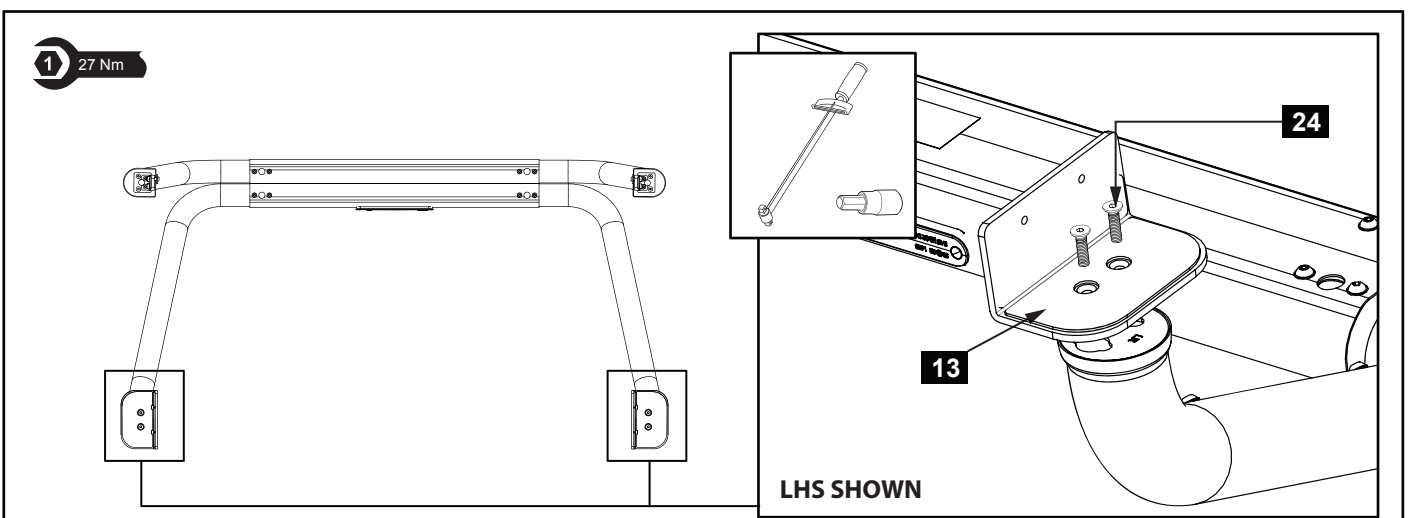




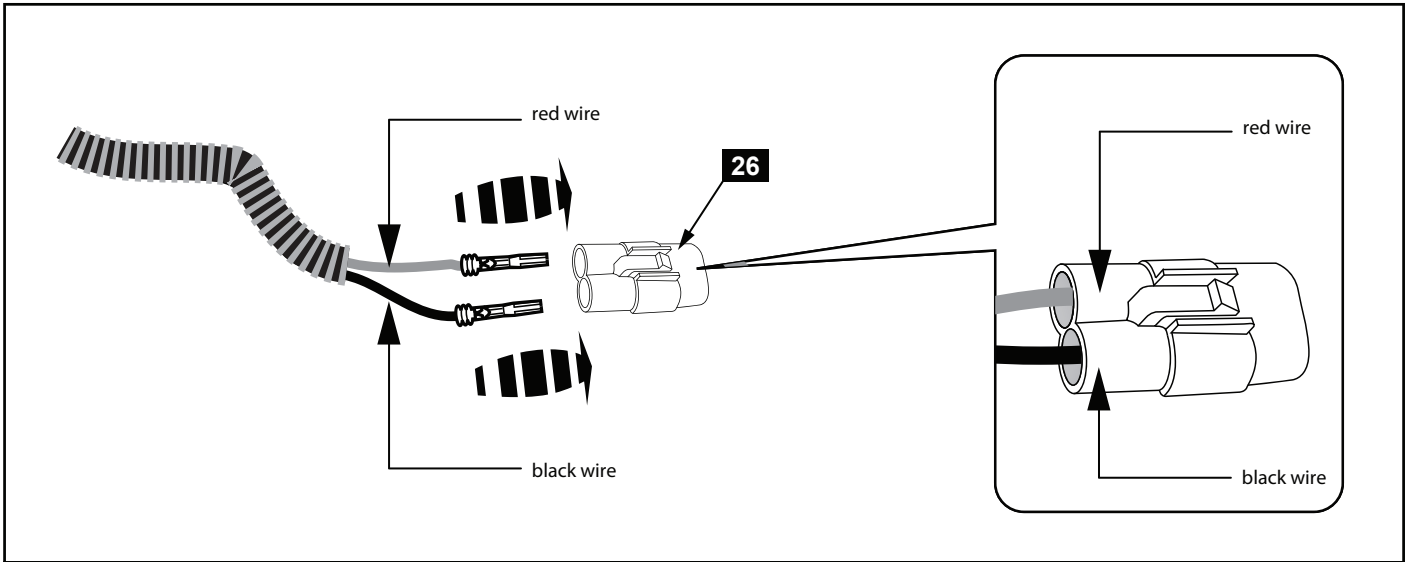
- 5.** Push the rubber Foot Cups (5), (6),(7),(8) onto the respective foot ends of each tube. Take care on the front RHS foot that the stop lamp wiring is pushed through the rubber foot cup hole.



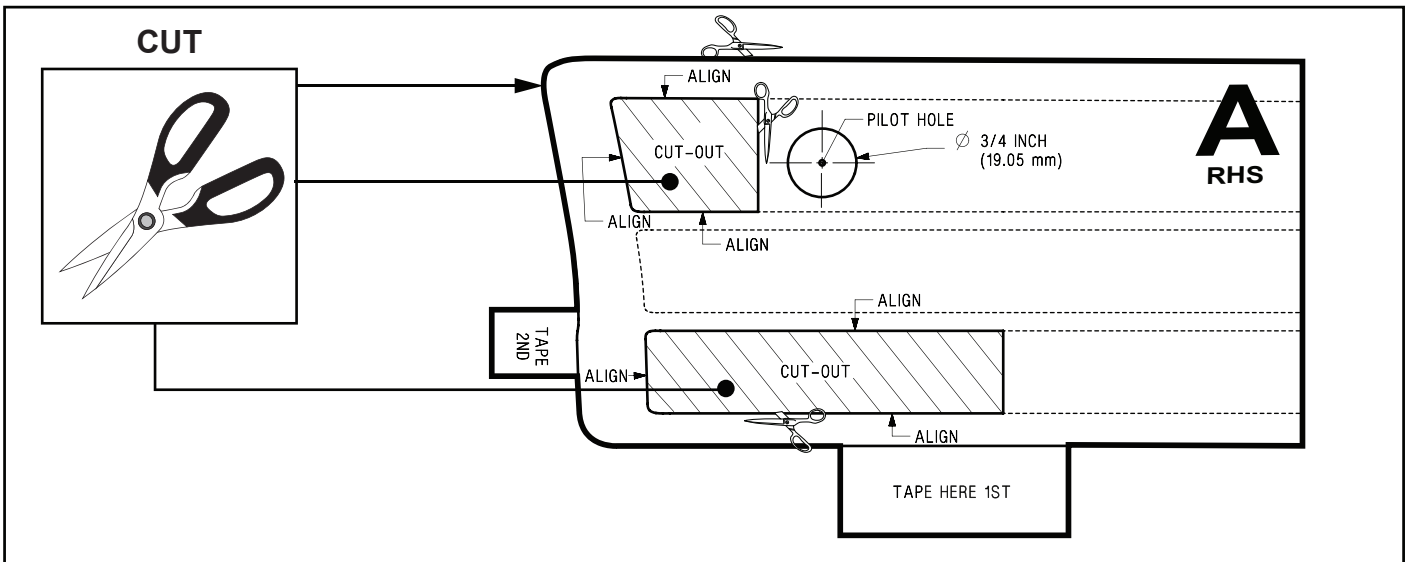
- 6.** Attach the front foot plate (15) to the foot end over the foot cup. Align the holes and secure (27Nm) using the two M8x30 Counter Sink screws (24). For the RHS foot carefully thread the stop lamp wiring through the hole in the footplate and notch in the bracket as shown.



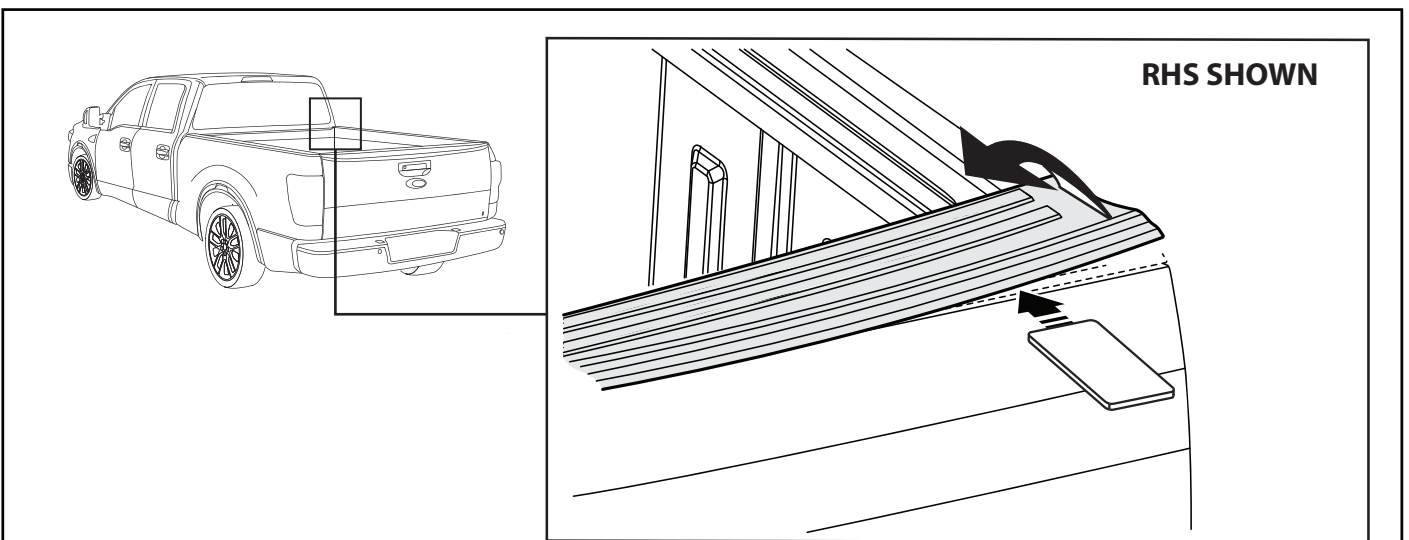
- 7.** Attach the rear foot plate (13) to the rear feet over the foot cups. Align the holes and secure using the two M8x30 screws (24). Torque to 27Nm.



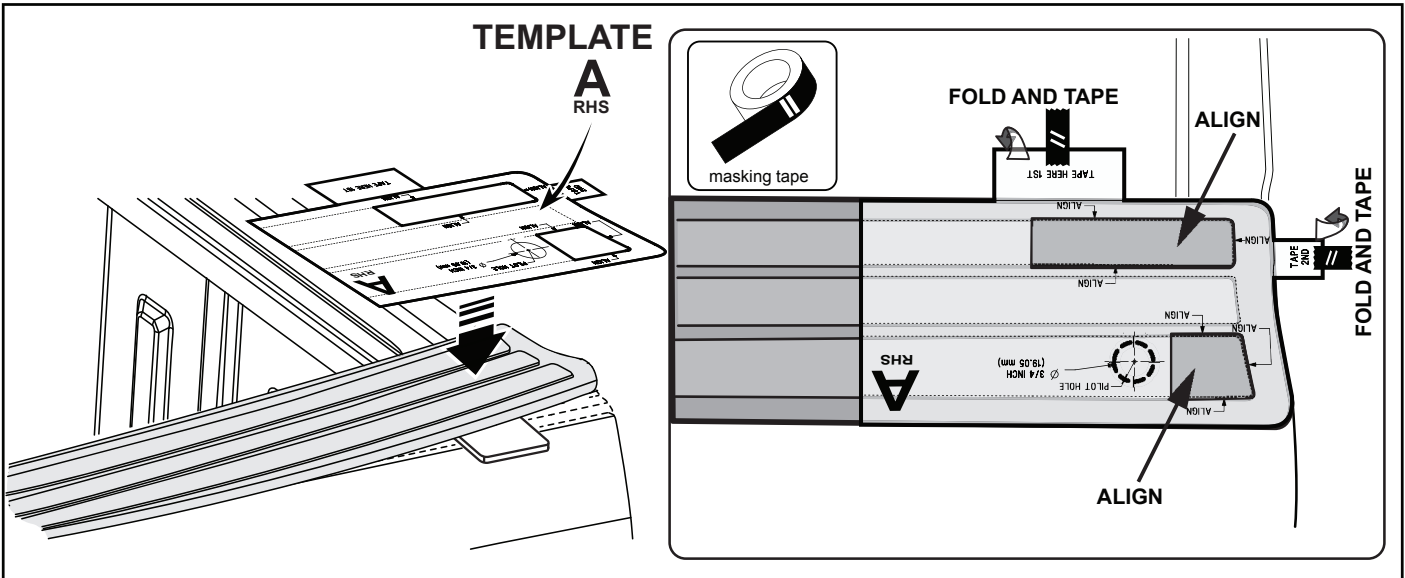
8. Remove the Stop Lamp Loom Plug (26) from the fitting kit. Push the red and black wires from the Stop Lamp Wiring Loom into the Stop Lamp Loom Plug.



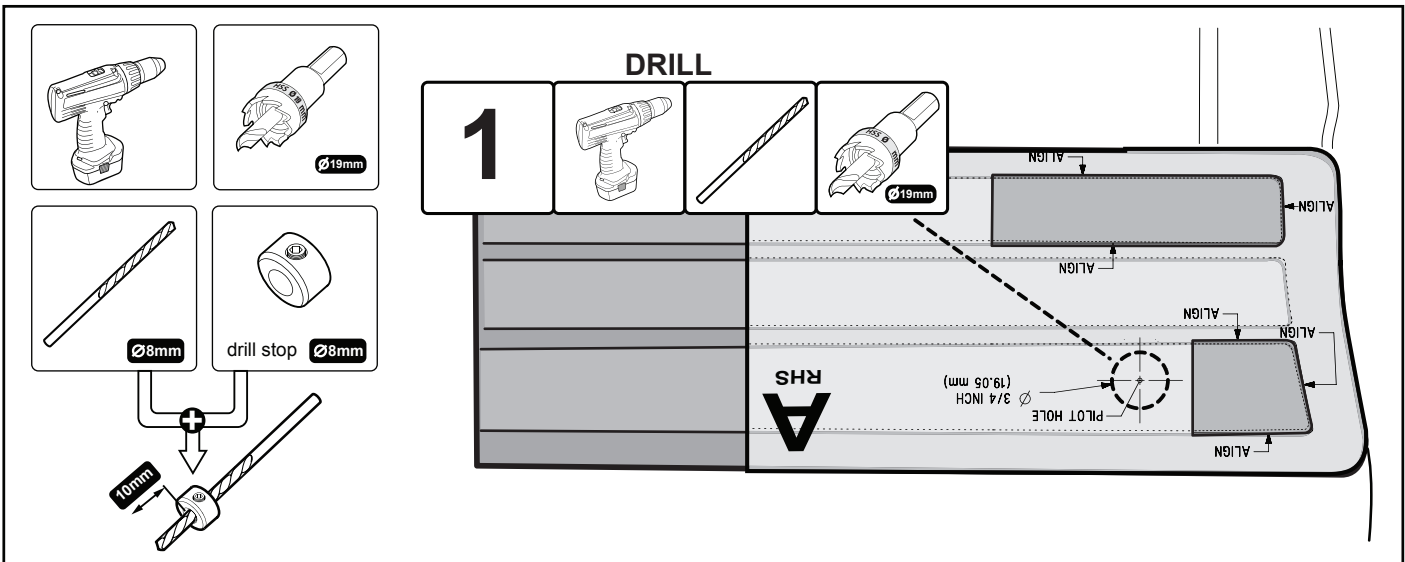
9. Cut out the outline of Paper Template A on Page 16AAa, and cut out the cross hatched guide 'cut-out' sections as marked.



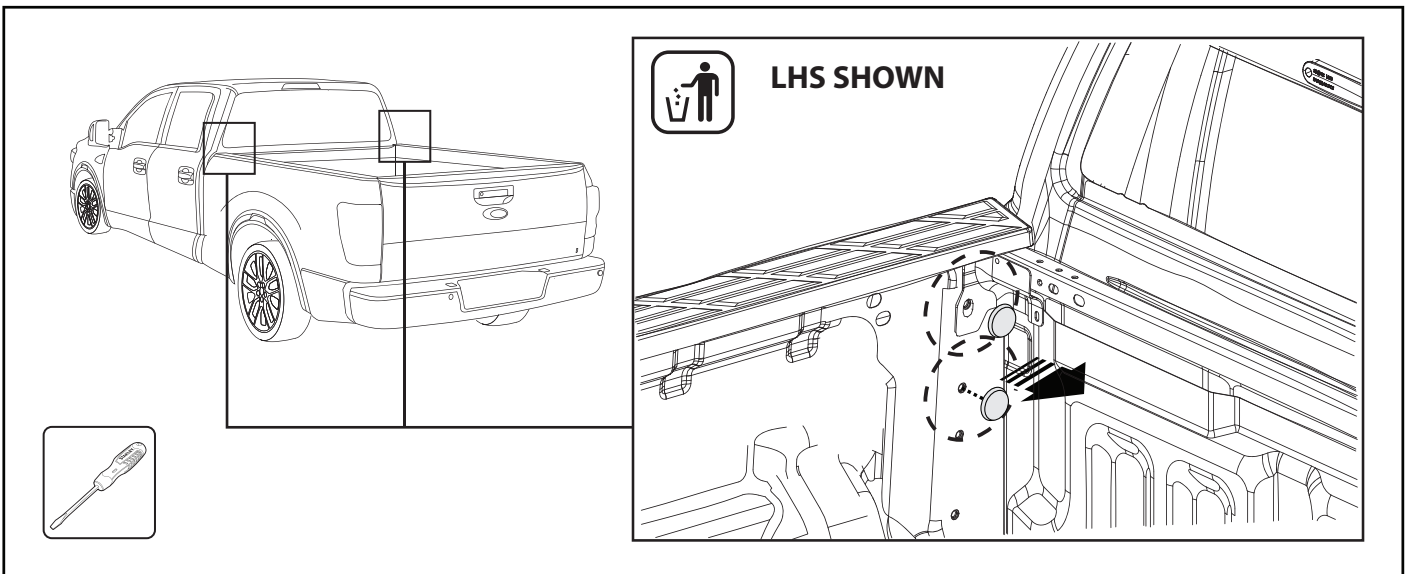
10. Carefully lift up the end of the bed rail cap upwards to disengage the clips. Place the rectangular foam block from the sports bar packaging underneath the bed rail cap to hold it in position above the bedrail.



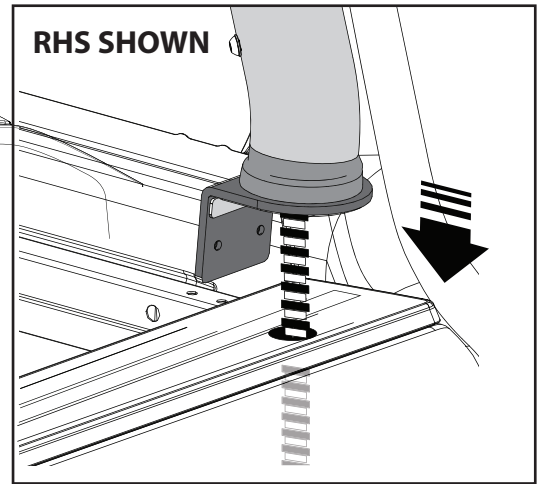
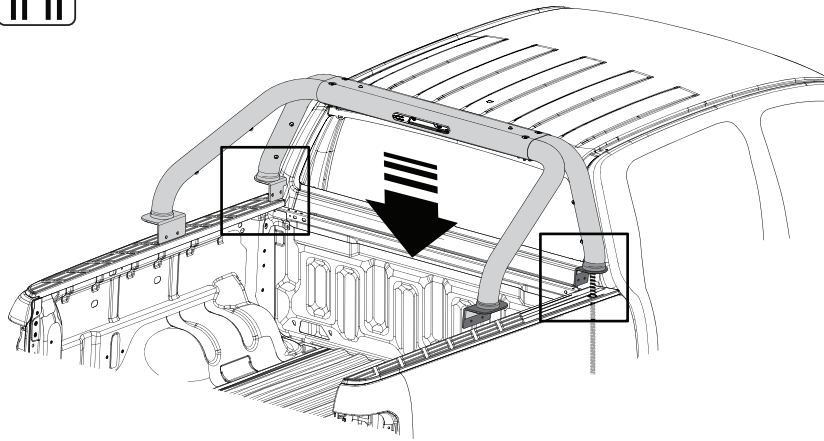
- 11.** Place the template onto the RHS bed rail cap and align the internal cut outs with the raised protrusions on the bed rail cap as shown. Tape the tabs to the bed rail cap at both locations.



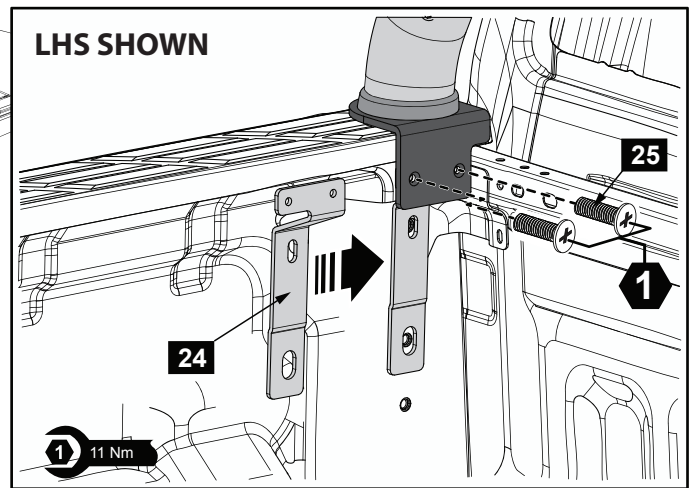
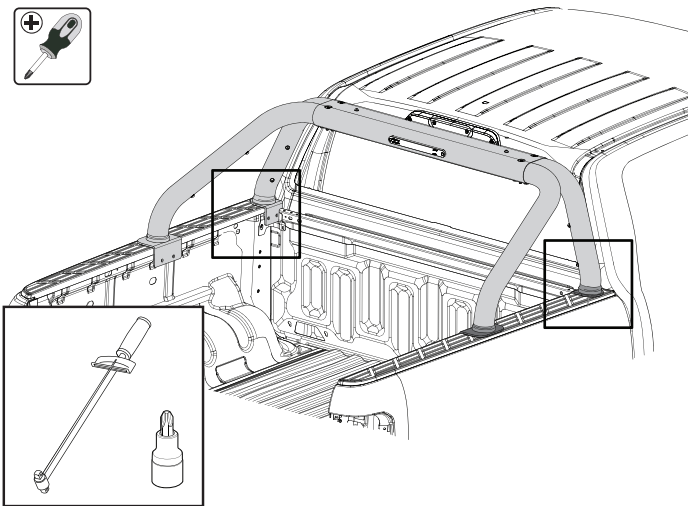
- 12.** Drill a pilot hole at the hole location on the template as shown. Drill a 19mm or 3/4 inch hole through the plastic bed rail cap. Note the clip is drilled out in this step. Remove and discard the the foam block and template. Clean all burrs and reinstall the bed rail cap.



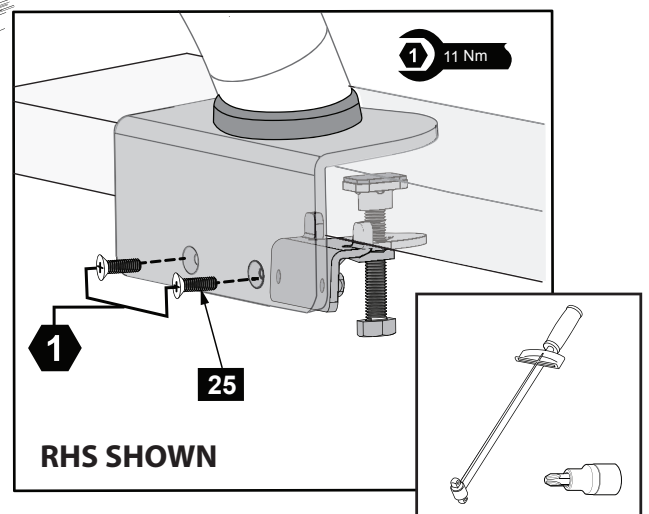
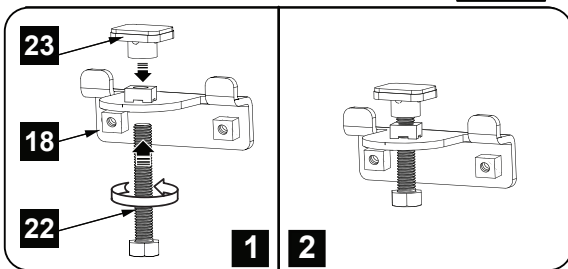
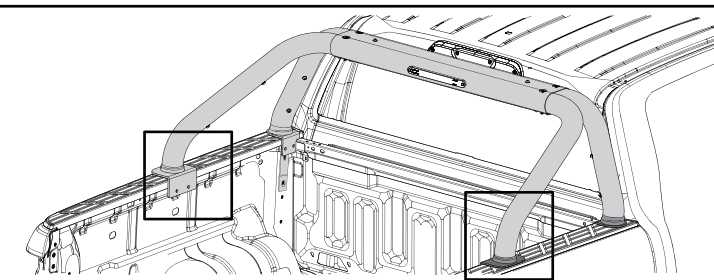
- 13.** Locate the top two threaded holes at the front of the tub and remove and discard any plastic side plugs if fitted. If a drop in bedliner is present cut around the brackets. If a spray in bedliner is installed clear with an M8x1.25 thread tap. Repeat for both sides.



- 14.** Using two people carefully lift the sports bar into position above the tub and on the RHS insert the LED cable through the hole in the bed rail cap. Slowly lower the sports bar onto the tub of the vehicle ensuring the wiring loom is not pinched.

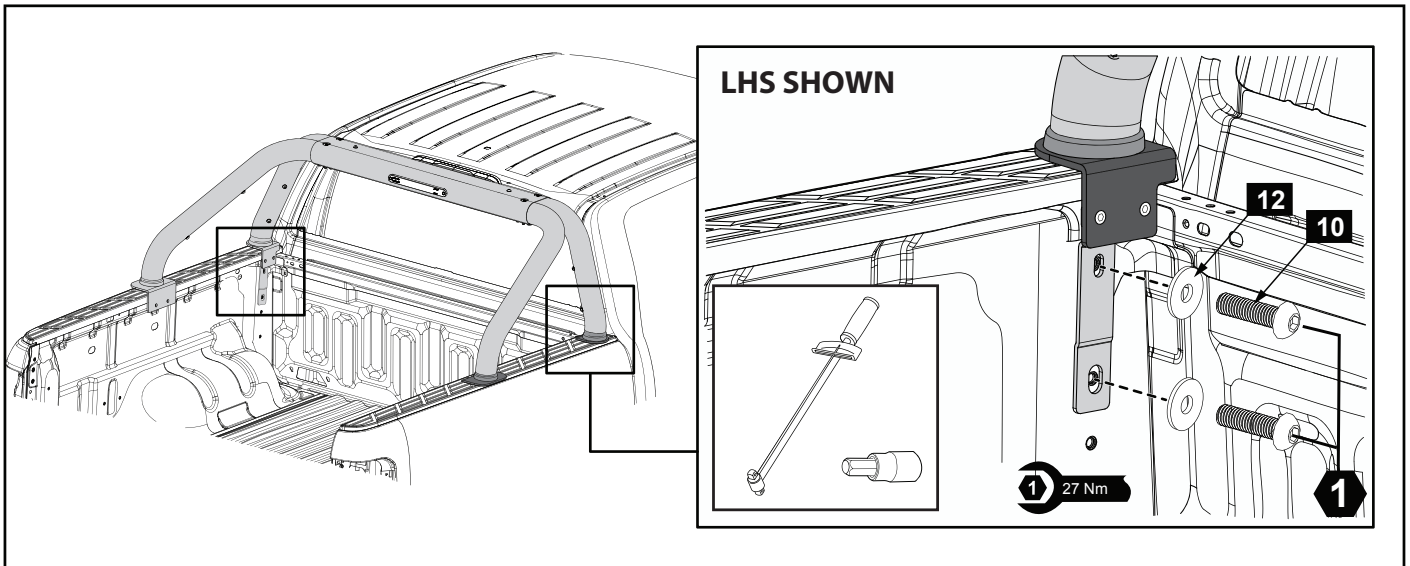


- 15.** Loosely Secure the tub attachment bracket to the front foot (16) using Screw (25). Do not fully tighten. Repeat for the opposite side, then tighten screws to 11 Nm.

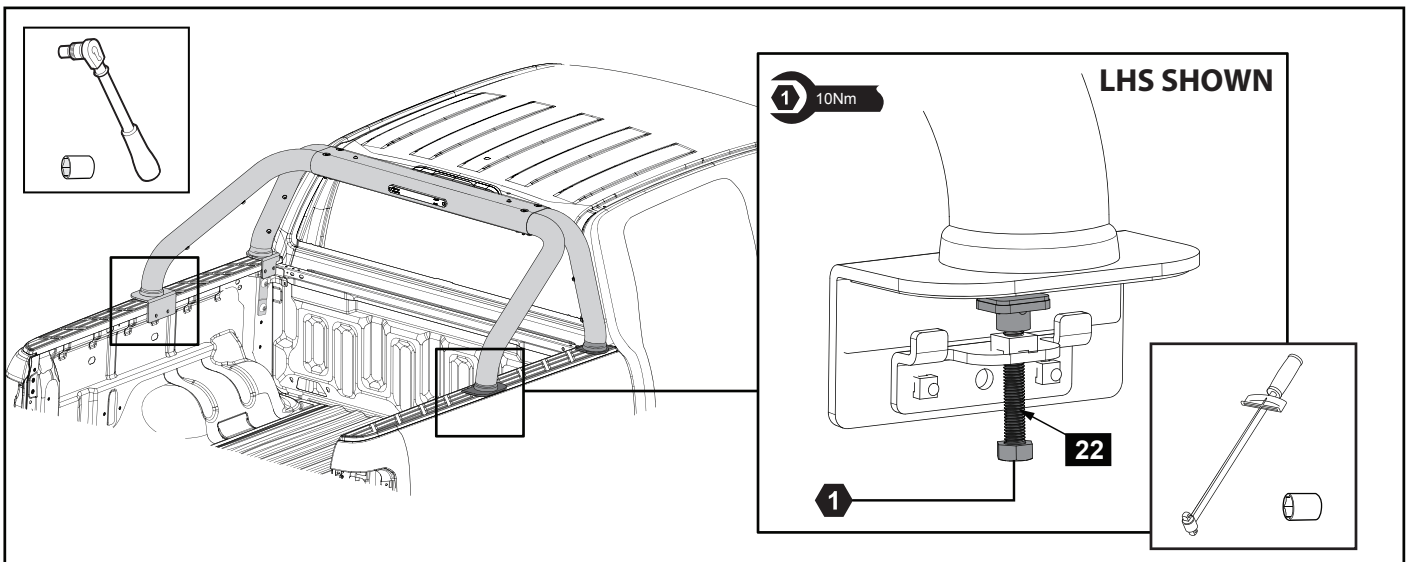


- 16.** Assemble the rear foot clamp plates by screwing the Hex head bolts (22) into the clamp body (18) and attach the Screw Cap (23). Position the assembly on the inside of the tub and attach the Clamp Plate assembly to the Rear foot of the sportsbar using screws (25). Repeat for the opposite side. Tighten the screws (25) to 11Nm using a Torque Wrench.

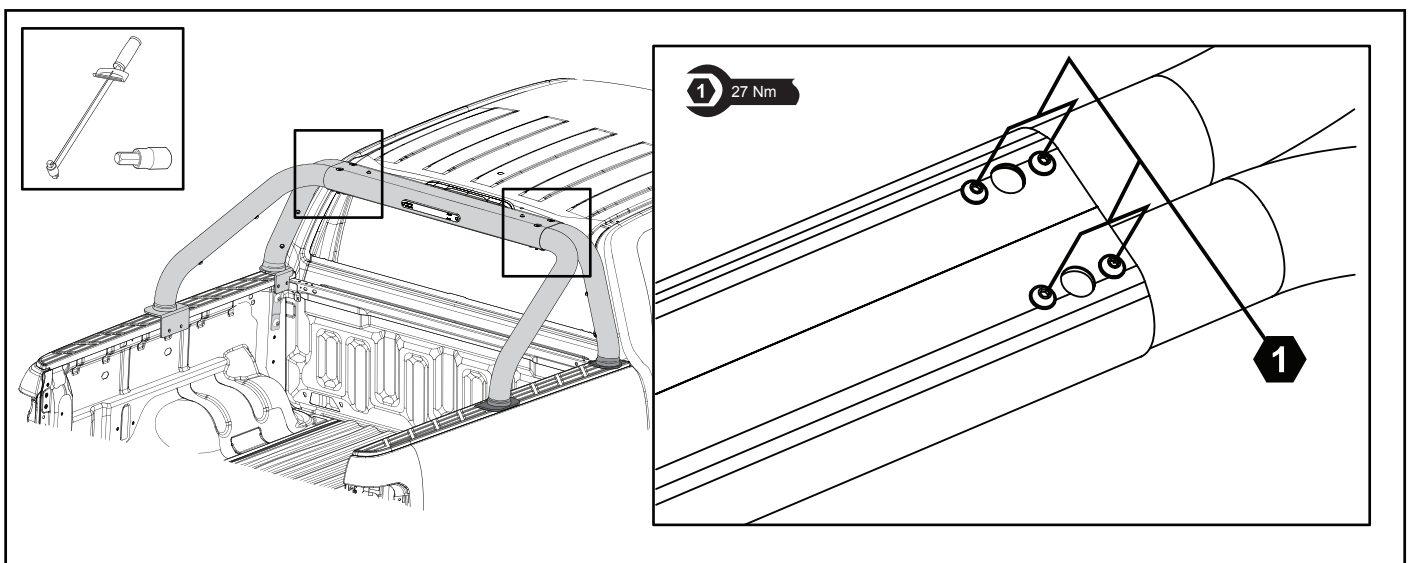




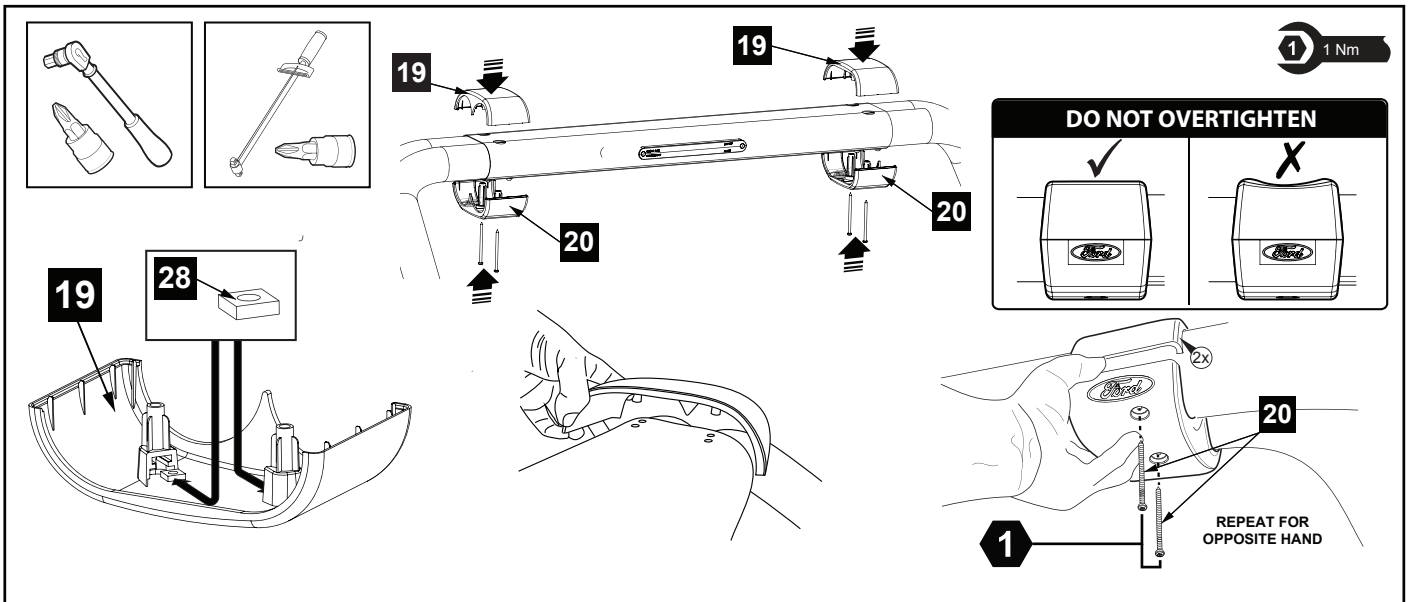
**17.** Attach the front foot brackets to the vehicle tub using screws (10) and washers (12). Tighten to 27 Nm.



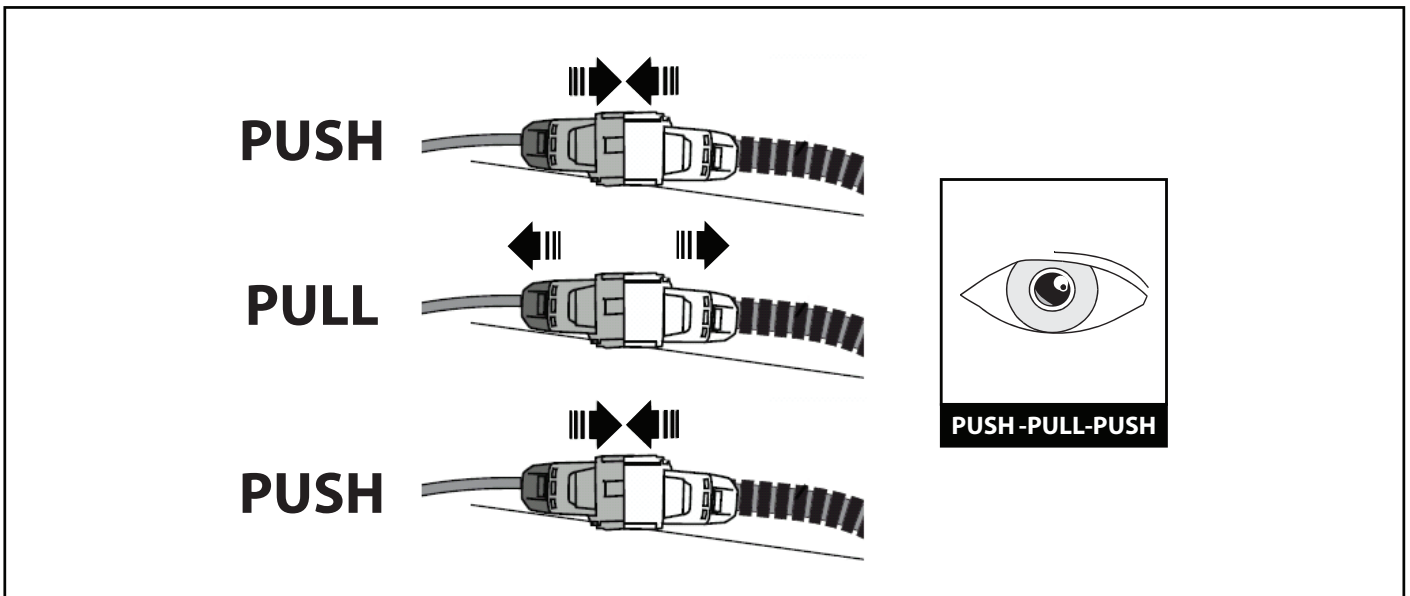
**18.** Tighten up the rear foot clamp plate bolts (22) to a torque of 10Nm. Repeat for the opposite side.



**19.** Fully tighten all 8 Leg to center piece bolts (1) to 27 Nm.



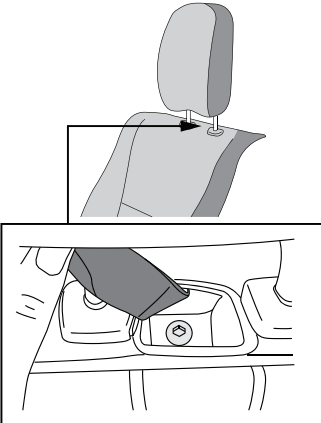
- 20.** Insert Square Nuts (28) into the bosses in the top half of the plastic covers (19). Install the top and bottom halves of the Plastic Covers (19),(20) and fasten together using the M5x90mm screws (21). Tighten to 1Nm.



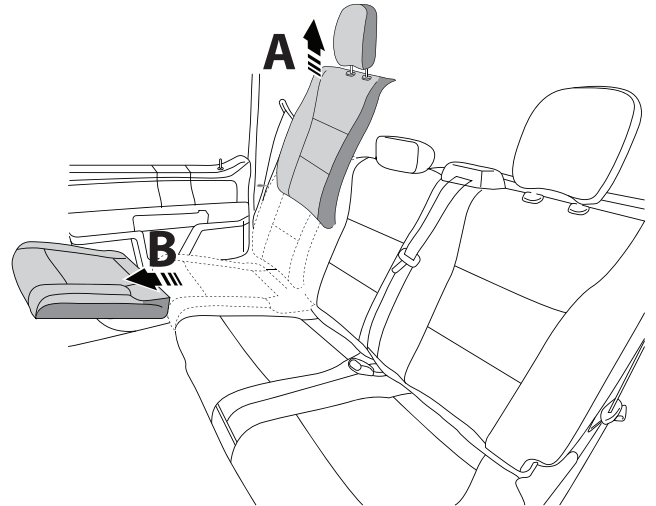
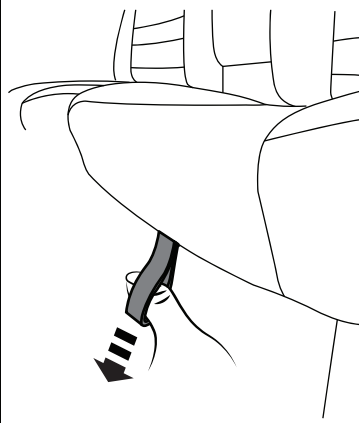
- 21.** For all electrical connections in this Installation Instruction push the connectors together, pull the connector housings to ensure connector does not release and then push the connectors back together (PUSH-PULL-PUSH).



### A UNSCREW T50 TORX BOLT REMOVE TOP OF SEAT

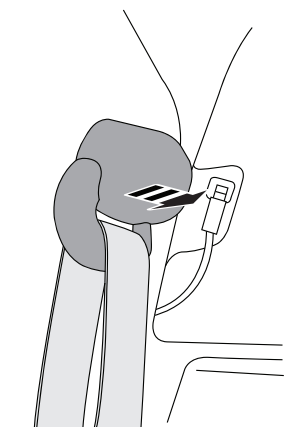


### B PULL TAB AND REMOVE LOWER SEAT

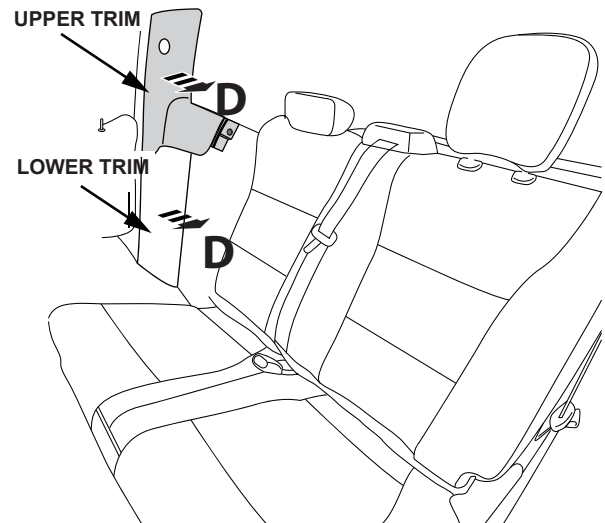
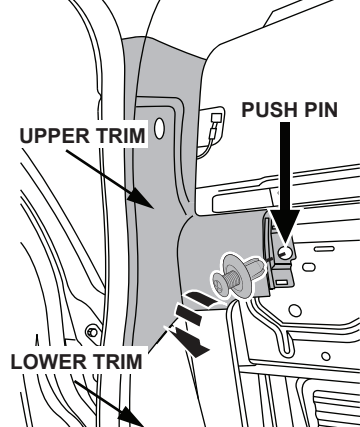


- 22.** Remove the passenger side seat by unscrewing and removing the T50 Torx bolt on the top of the seat back and pull up on the seat back. The lower seat can then be removed by pulling the tab on the front of the seat and pushing the seat bottom back and lifting out.

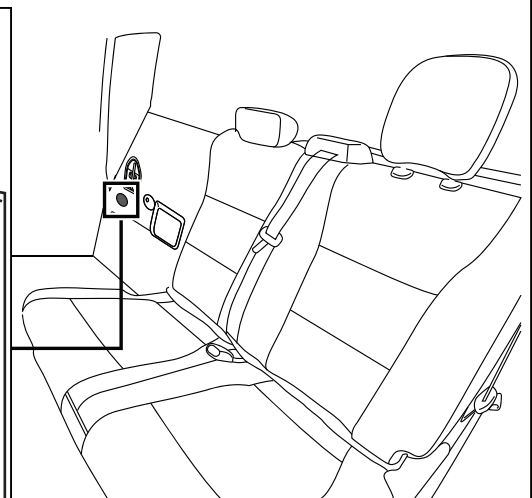
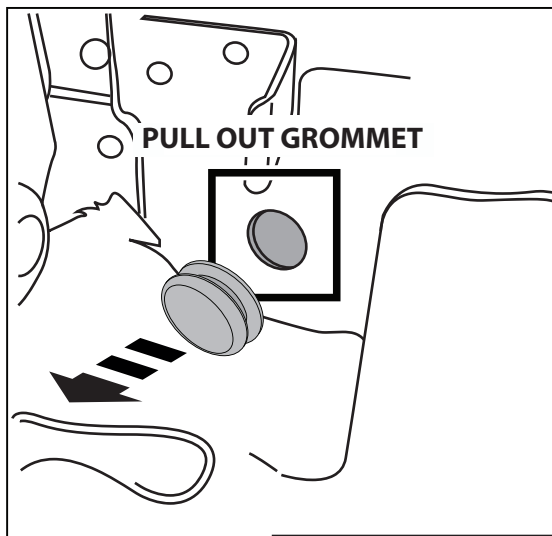
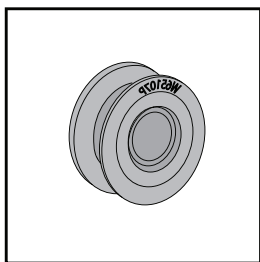
### C REMOVE SEAT BELT



### D REMOVE UPPER & LOWER PILLAR TRIM

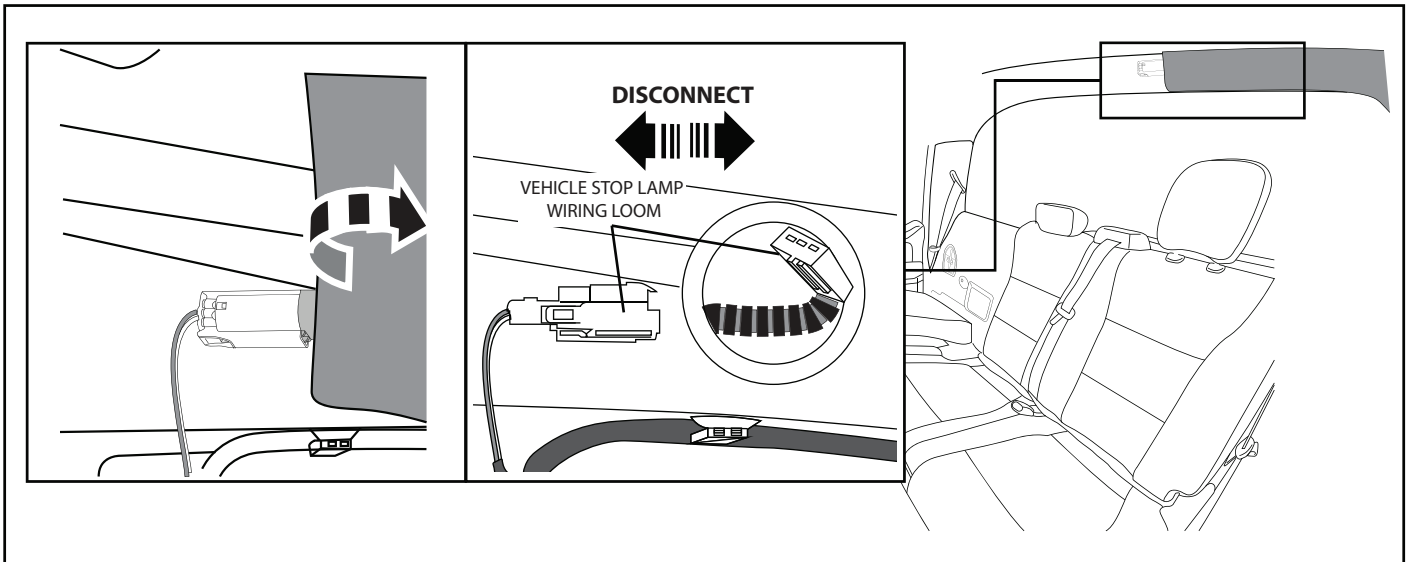


- 23.** Remove the seatbelt first removing the seatbelt by unscrewing the T50 Torx bolt. Then remove the upper trim by removing the push pin. The lower pillar trim should also be removed at this time.

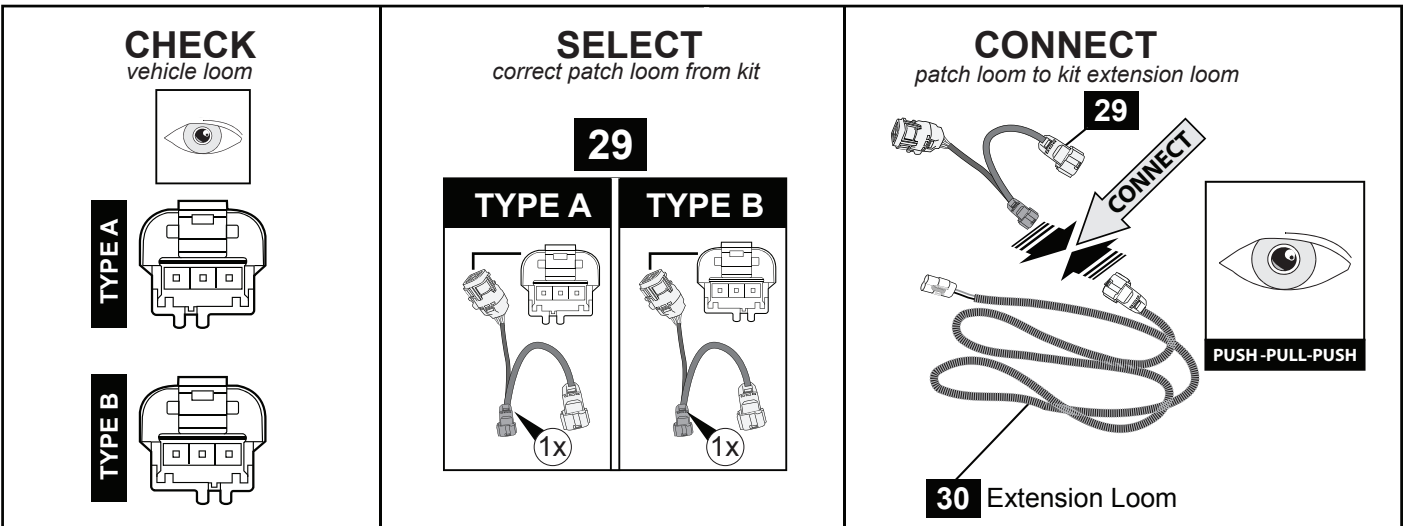


- 24.** Locate the rubber grommet in the back of the back of the cab and pull it out and retain as it will be re-inserted in step 28.

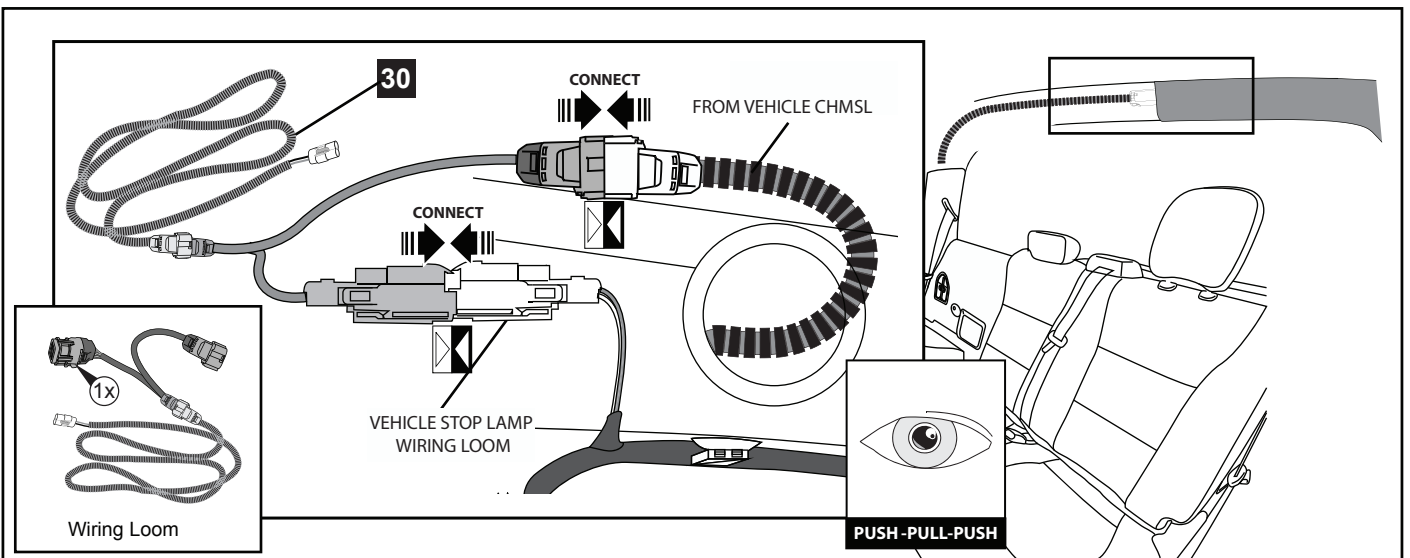




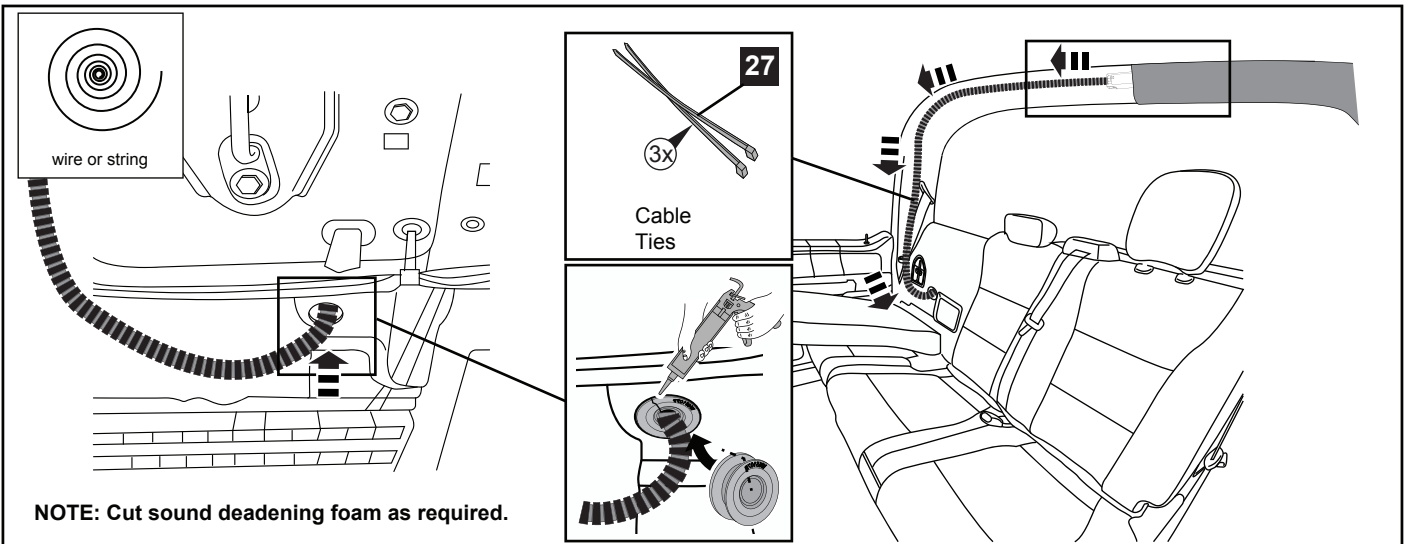
**25.** Lower the roof headliner directly opposite the rear Center high mounted stoplight (3rd stoplight). Locate the connector and disconnect.



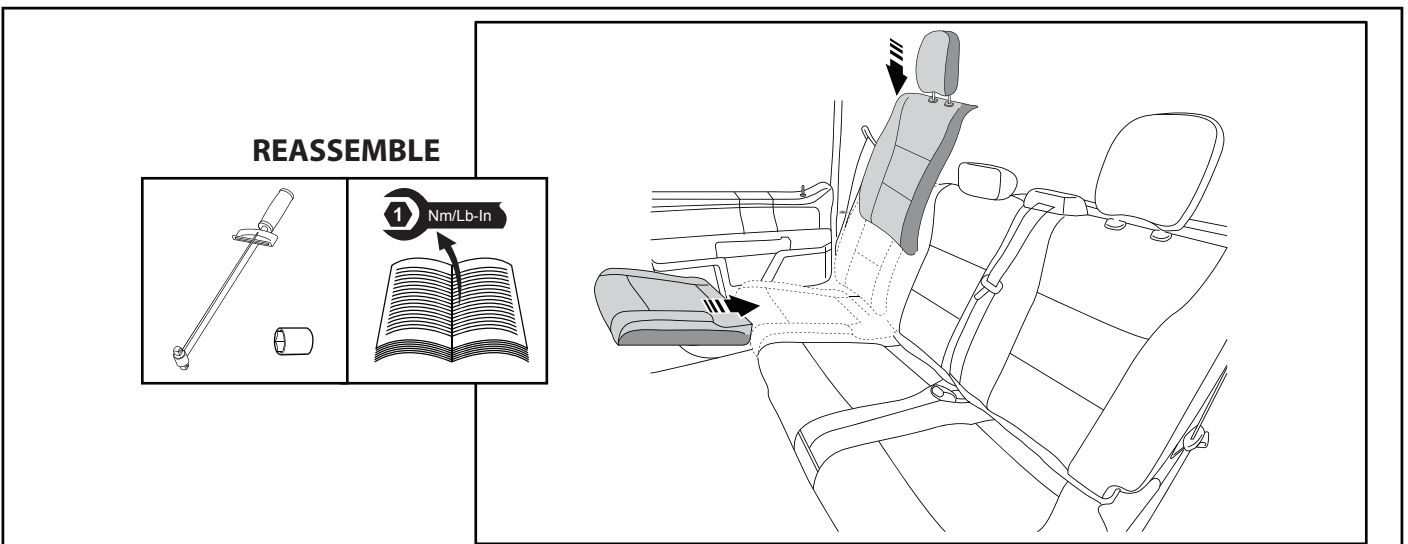
**26.** Check the keyway on the vehicle loom, it will be Type A or Type B as shown. Discard the Sportsbar Vehicle Patch (29) loom that does not have the same keyway type as your vehicle. Connect the correct Vehicle Patch loom (29) to the extension loom (30)



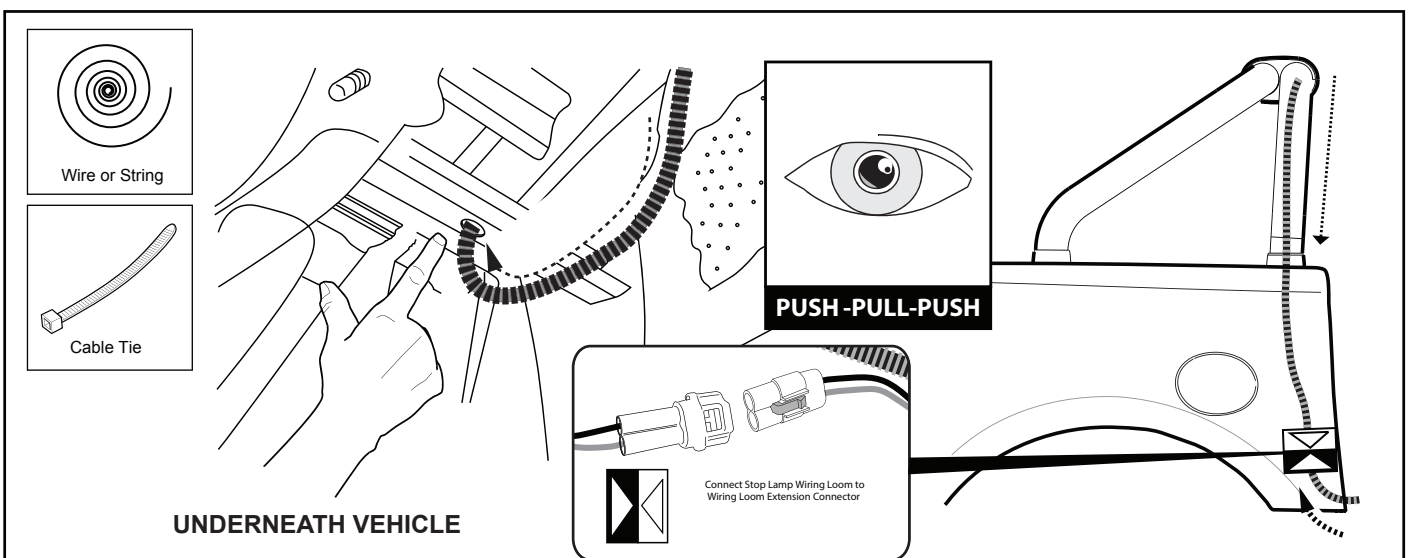
**27.** Plug both connectors on the T piece attached to the supplied loom in the kit (30) into the plug coming from the vehicle stop lamp loom. Tuck plug connection back under the headliner and feed the loom across to the passenger side pillar.



- 28.** Feed the harness across the roof and down the pillar securing with the supplied cable ties (27). Feed the plug end of the loom through the grommet hole outside the vehicle to the gap between the cab and the bed. Take the previously removed grommet, cut and re-install around the loom. Apply clear silicone to the plug to re-seal and make waterproof.



- 29.** Follow Steps 23 to 22 (Extended Cab) and Steps 32 to 34 (Quad Cab) to reassemble the vehicle trim and assemble the seats. Refer to the vehicle workshop manual for tightening torque.



- 30.** Locate the wiring loom from the Sportsbar under the bed on the RHS and connect to the truck loom. Secure the wiring with cable ties under the bed.



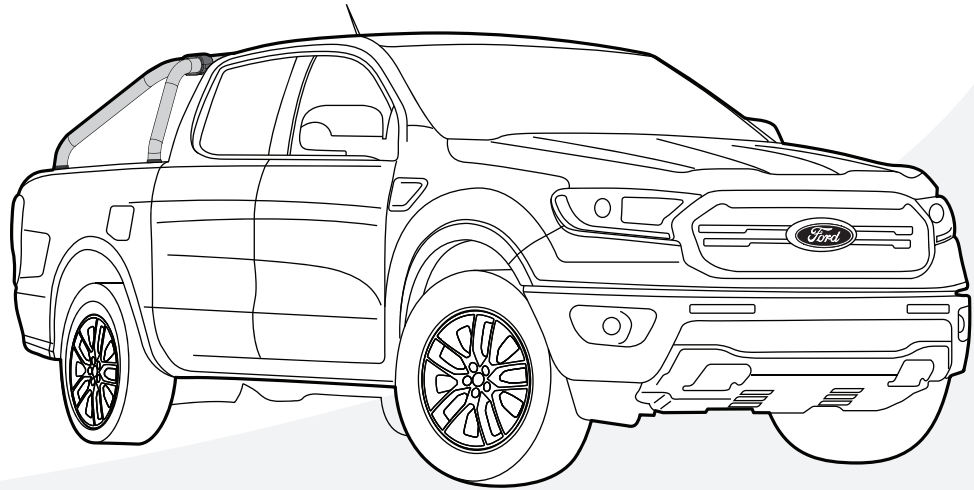
CHECK TORQUE



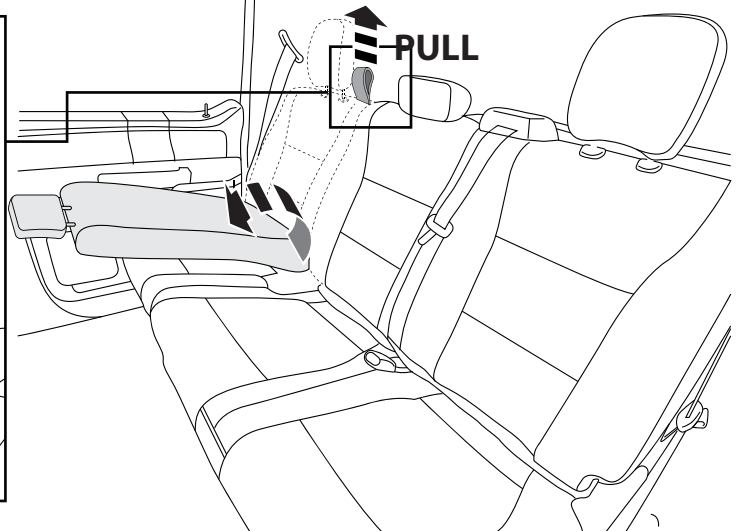
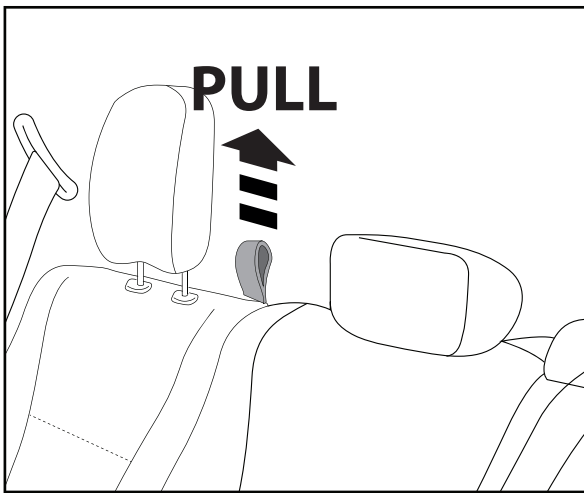
CHECK STOP LAMP



WASH VEHICLE

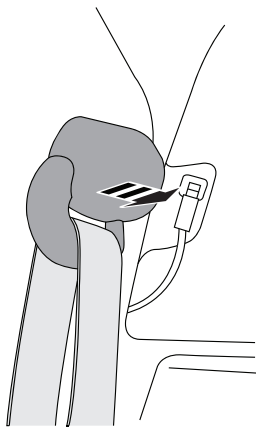


- 31.** Test Center High Mounted Stop Light on the sports bar and confirm that it operates when the brakes are depressed. Re-check the torque on all bolts and fully clean vehicle.

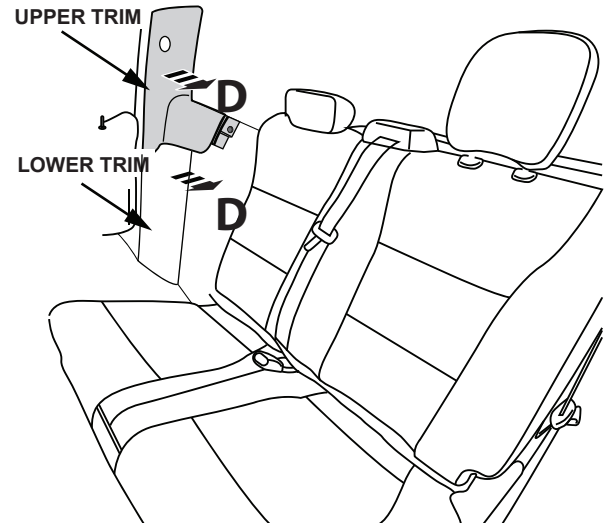
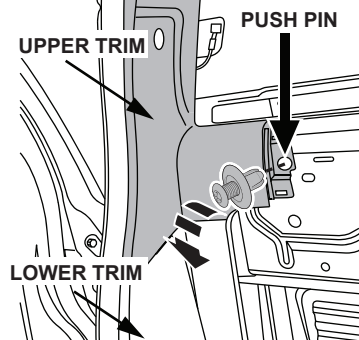


**32.** Lower the passenger rear seat by pulling on the loop on the side.

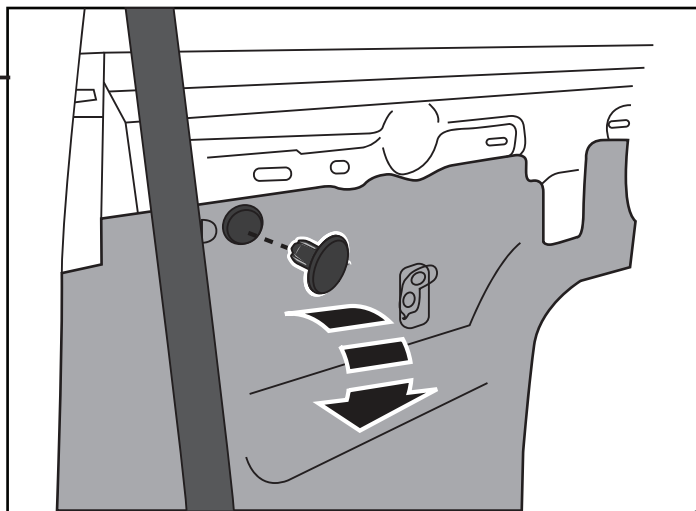
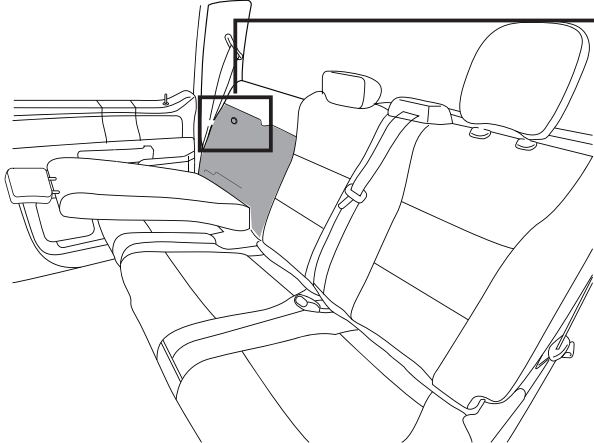
**C** REMOVE SEAT BELT



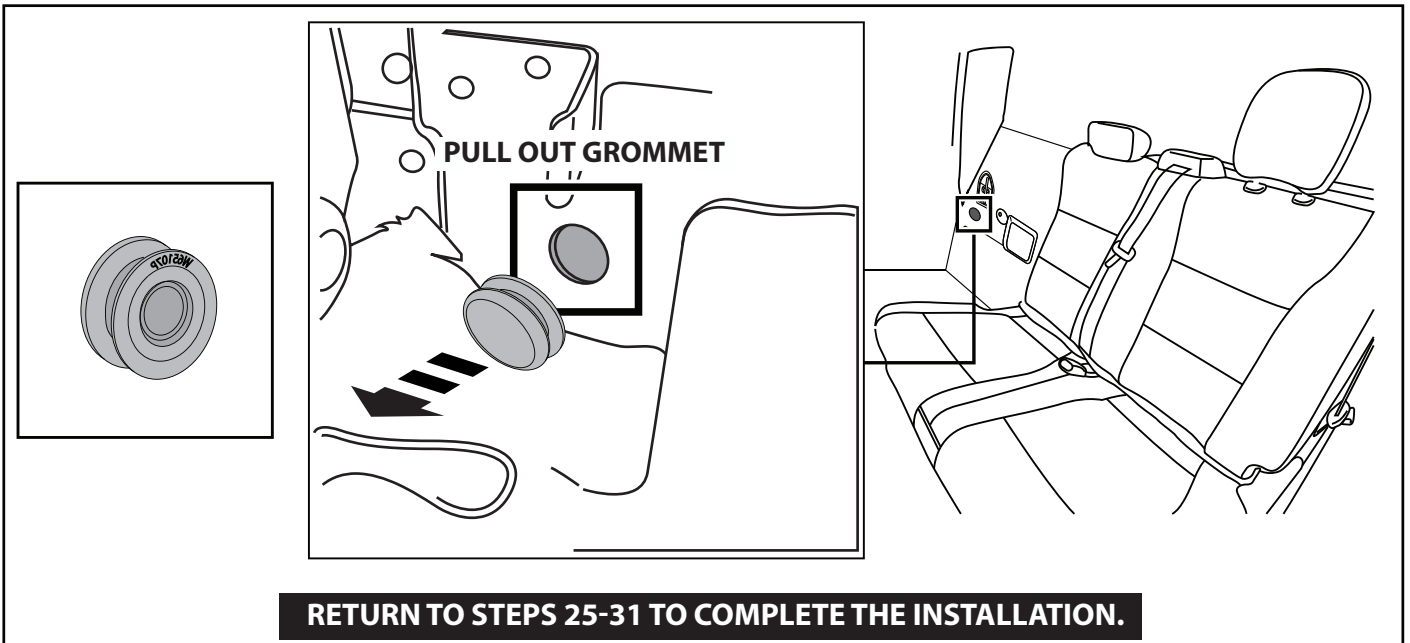
**D** REMOVE UPPER & LOWER PILLAR TRIM



**33.** Remove the seatbelt first removing the seatbelt by unscrewing the T50 Torx bolt. Then remove the upper trim by removing the push pin. The lower pillar trim should also be removed at this time.

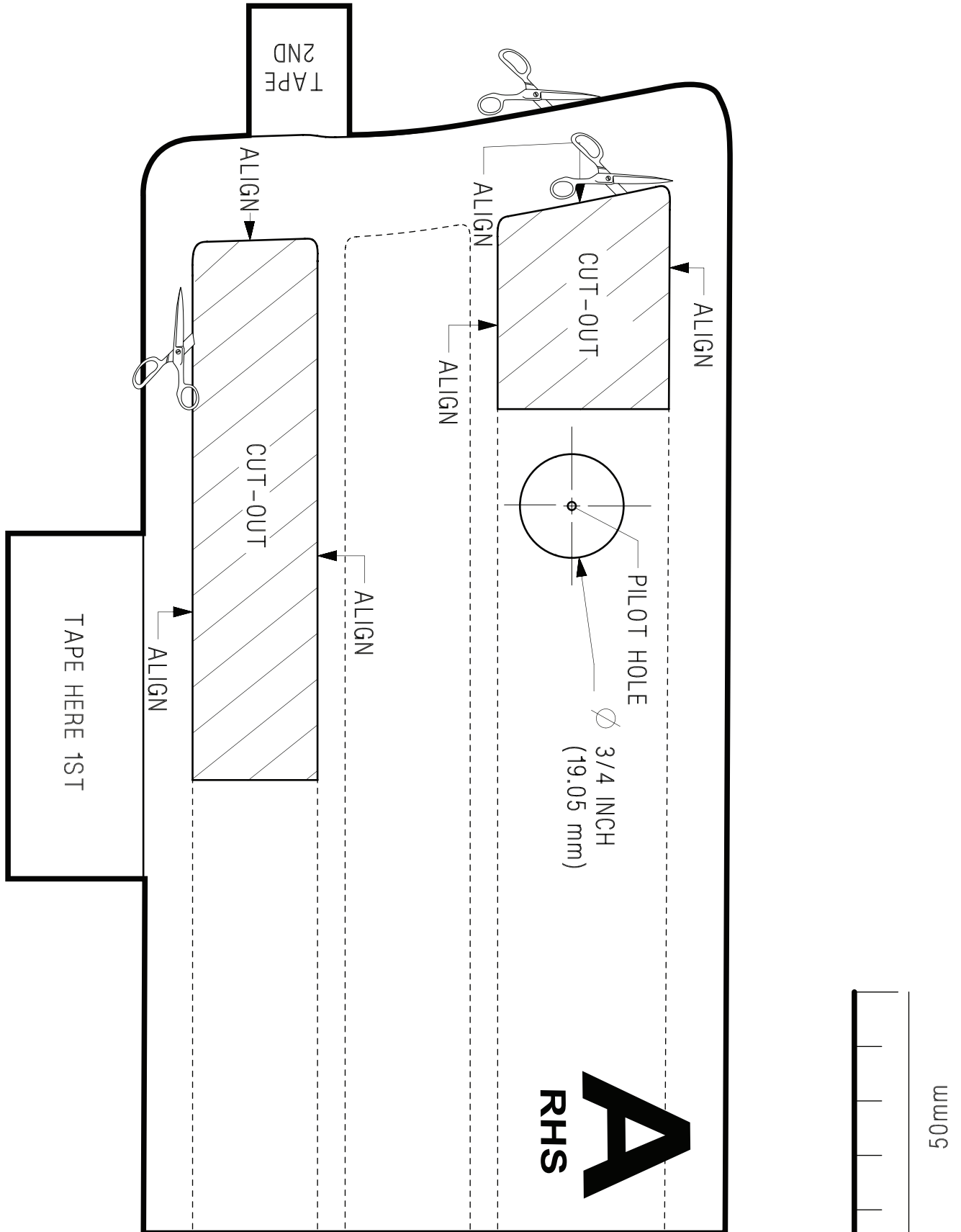


**34.** Remove the push-pin which secures the carpet backing and remove the carpet backing to expose metal surface of the cab. Retain the push pin and the carpet backing.




- 35.** Locate the rubber grommet in the back of the back of the cab and push it out between the cab and the bed. Retain this as it will be re-inserted in step 28. Return to steps 25-31 to complete the installation.

# CUT TEMPLATE A RHS FORD RANGER MY19 SPORTS BAR



Sheet Size: A4  
Scale: 1:1

**Important**  
 Always confirm the length of the 50mm marker before cutting out the templates.

