

EGR

FRONT DOOR INSTALLATION

BEFORE
INSTALLING
PRODUCT,
PLEASE READ
INSTRUCTIONS
FULLY

INSTALLATION
INSTRUCTIONS

™

IN-CHANNEL
SLIMLINE
WINDOW VISOR

DO NOT
INSTALL BELOW
50°F. IDEAL
INSTALLATION
TEMPERATURE
IS 70°F - 105°F

MADE IN USA

INSTALLATION INSTRUCTIONS

- 1• Clean and dry the vehicle. Lower the front windows completely.
- 2• Fit the front section of the **WINDOW VISOR** behind the mirror base. Ensure the bottom edge of the **WINDOW VISOR** locates on top of or over the lower window molding, as shown.
- 3• Fit rear section of **WINDOW VISOR** into channel about 1/2 inch away from the top of door frame, as shown.

IMPORTANT

When fitting the **WINDOW VISOR** it will be necessary to bend the center of the **WINDOW VISOR** away from the vehicle to enable fitment into the rear section of the door channel.

CARE MUST BE TAKEN AS THE PRODUCT COULD BREAK.

- 4• Start inserting the **WINDOW VISOR** by carefully rotating the **WINDOW VISOR** into the window channel.

IMPORTANT

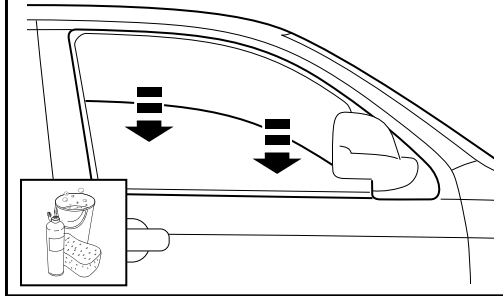
Working from the front of the **WINDOW VISOR** to the back as shown. Once installed gently push the **WINDOW VISOR** upwards into the window channel.

- 5• Ensure the **WINDOW VISOR** is located in the outermost section of the rubber window channel and finally, raise and lower the window approx. 5 times to help seat the **WINDOW VISOR** into the rubber window channel.

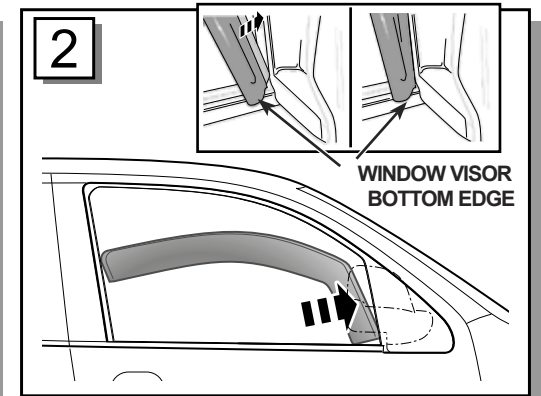
IMPORTANT: Before fitting product, read instruction fully. Reverse the above procedure to remove this product.

TO CLEAN: Use mild detergent and water solution. (Do NOT use solvents). Avoid the use of automatic "Brush Style" car washes.

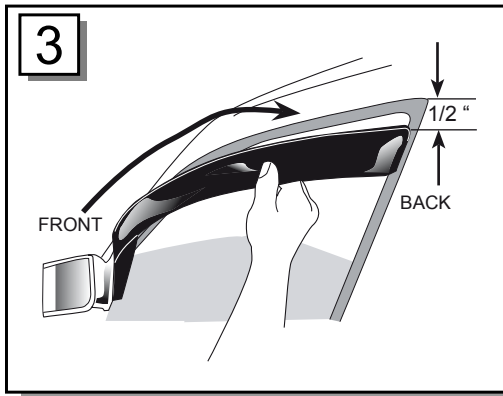
1



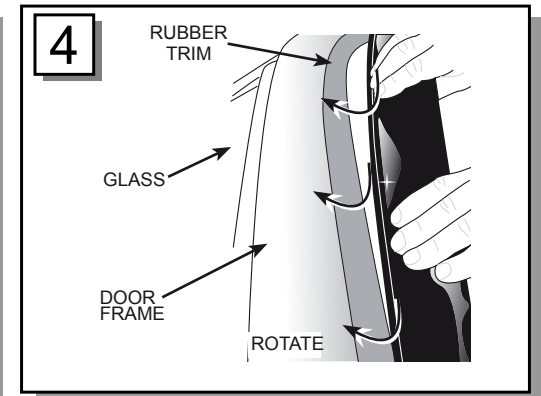
2



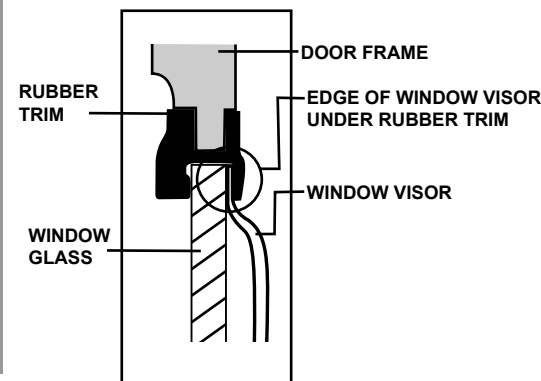
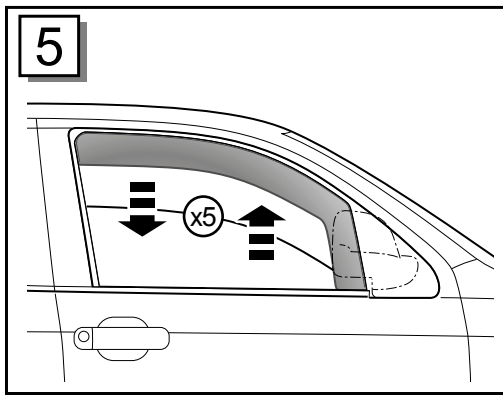
3



4



5



IMPORTANT

The rubber window trim may need to be massaged to allow the window and **WINDOW VISOR** to seat correctly in the window channel.