

# EGR

## FRONT DOOR INSTALLATION

BEFORE  
INSTALLING  
PRODUCT,  
PLEASE READ  
INSTRUCTIONS  
FULLY

INSTALLATION  
INSTRUCTIONS

TM

IN-CHANNEL  
SLIMLINE  
WINDOW VISOR

DO NOT  
INSTALL BELOW  
50°F. IDEAL  
INSTALLATION  
TEMPERATURE  
IS 70°F - 105°F

MADE IN USA

### INSTALLATION INSTRUCTIONS

- 1• Clean and dry the vehicle. Lower the front windows completely.
- 2• Fit the front section of the **WINDOW VISOR** behind the mirror base. Ensure the bottom edge of the **WINDOW VISOR** locates on top of or over the lower window molding, as shown.
- 3• Position the rear section of the **WINDOW VISOR** into the rubber window channel, as shown.

### IMPORTANT

When fitting the **WINDOW VISOR** it will be necessary to bend the **WINDOW VISOR** to enable fitment into the rear section of the door channel.

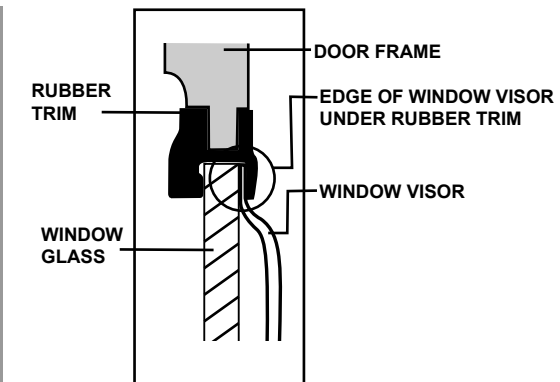
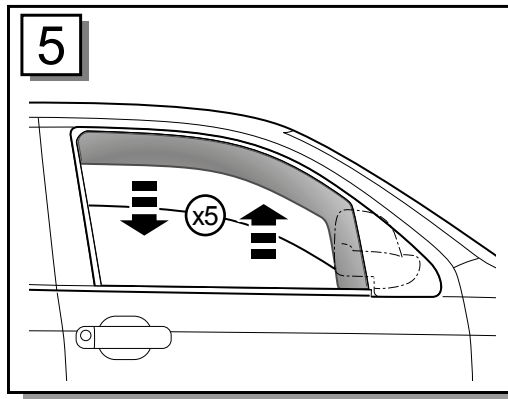
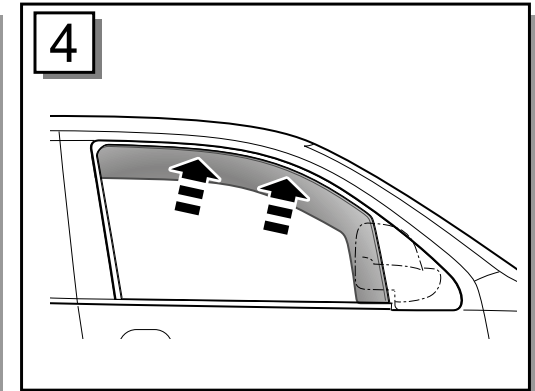
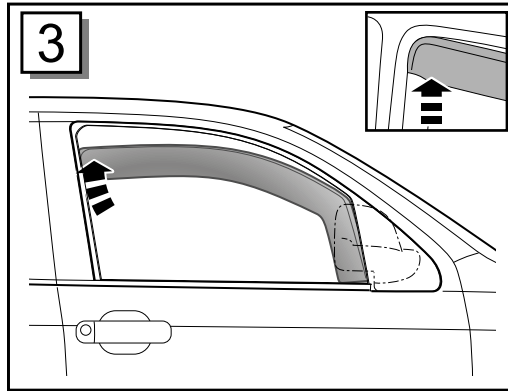
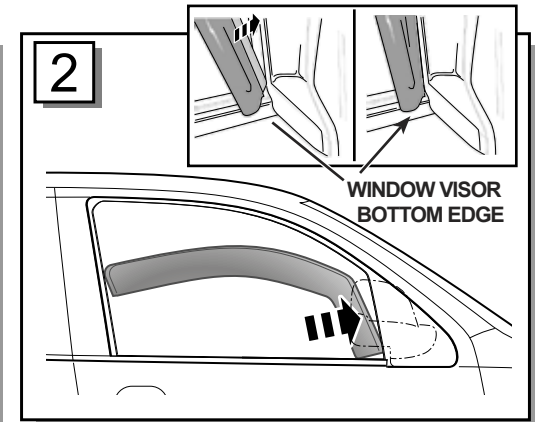
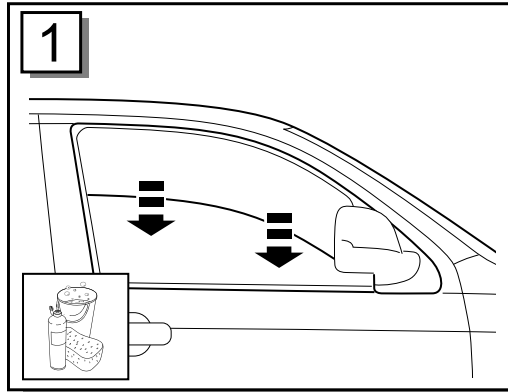
### CARE MUST BE TAKEN AS THE PRODUCT COULD BREAK.

Once installed gently push the **WINDOW VISOR** upwards into the window channel.

- 4• Fit the center of the **WINDOW VISOR** into the rubber window channel. Work the **WINDOW VISOR** into the rubber window channel by hand, ensuring it locates securely.
- 5• Ensure the **WINDOW VISOR** is located in the outermost section of the rubber window channel and finally, raise and lower the window approx. 5 times to help seat the **WINDOW VISOR** into the rubber window channel.

**IMPORTANT:** Before fitting product, read instruction fully. Reverse the above procedure to remove this product.

**TO CLEAN:** Use mild detergent and water solution. (Do NOT use solvents). Avoid the use of automatic "Brush Style" car washes.



### IMPORTANT

The rubber window trim may need to be massaged to allow the window and **WINDOW VISOR** to seat correctly in the window channel.