

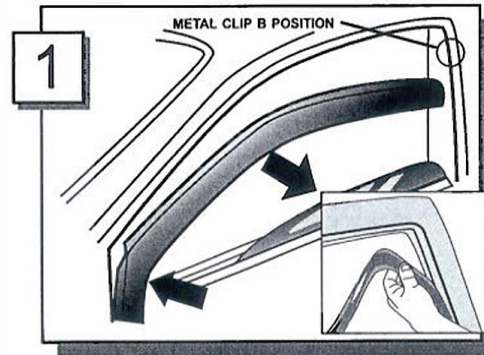


FRONT DOOR INSTALLATION

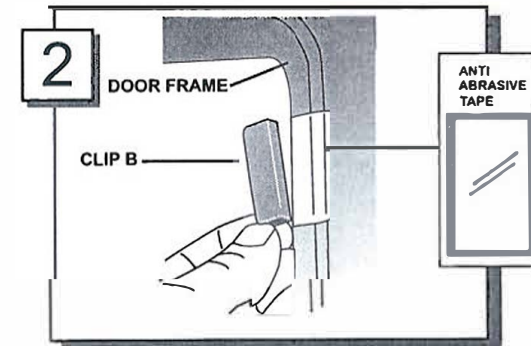
INSTALLATION INSTRUCTIONS

IN-CHANNEL SLIMLINE WINDOW VISOR

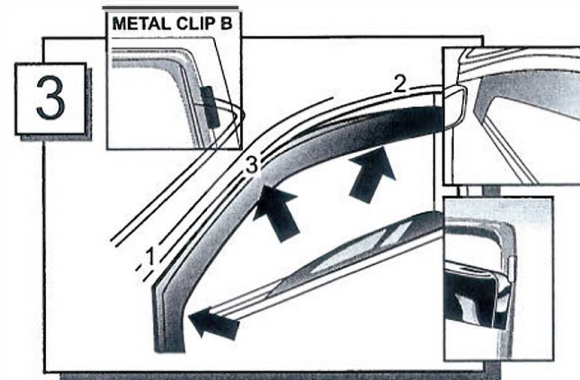
IMPORTANT: THE **WINDOW VISOR** MUST BE FITTED INTO THE SAME CHANNEL AS THE DOOR WINDOW GLASS
THE DOOR WINDOW MUST BE FULLY DOWN WHEN INSTALLING THE **WINDOW VISOR**



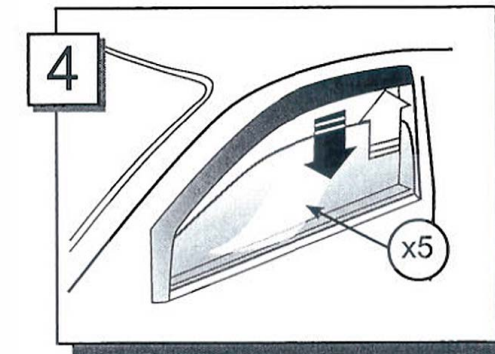
- Trial fit the **WINDOW VISOR** and take note of location of metal clip B position. Remove **WINDOW VISOR**.
- Before fitting the **WINDOW VISOR** pull the rubber trim away from the door frame to install the metal clip B as shown above.



- Clean the inside area of the door frame with alcohol wipe provided and wipe away any residue with a dry clean cloth. Adhere anti abrasive resistant tape to these areas. Insert the metal clip B to door frame and make sure it's resting on the abrasive resistant tape. Not the door frame. Replace rubber trim.



- With the metal clip B in place, install **WINDOW VISOR**. Fit the front of **WINDOW VISOR** first at the mirror sail area of the door. Insert the rear of the **WINDOW VISOR** into the metal clip B and slide the **WINDOW VISOR** upwards.



- Wind window up and down several times, to ensure a secure fit.
- To remove gently pull **WINDOW VISOR** out of clip first, at rear of the door and remove.

To Clean: Use mild detergent and water solution. (Do **NOT** use solvents).