

EGR INSTALLATION INSTRUCTIONS

Tools Required



Clean Dry Cloth



Soap & Water



Non-Permanent Marker



#2 Phillips Head Screwdriver



Cleaning Notes

- Spray with a firm water spray to remove any loose dirt.
- Wash with water, detergent and a soft cloth or sponge.
- Do not use petroleum based solvents or abrasives.

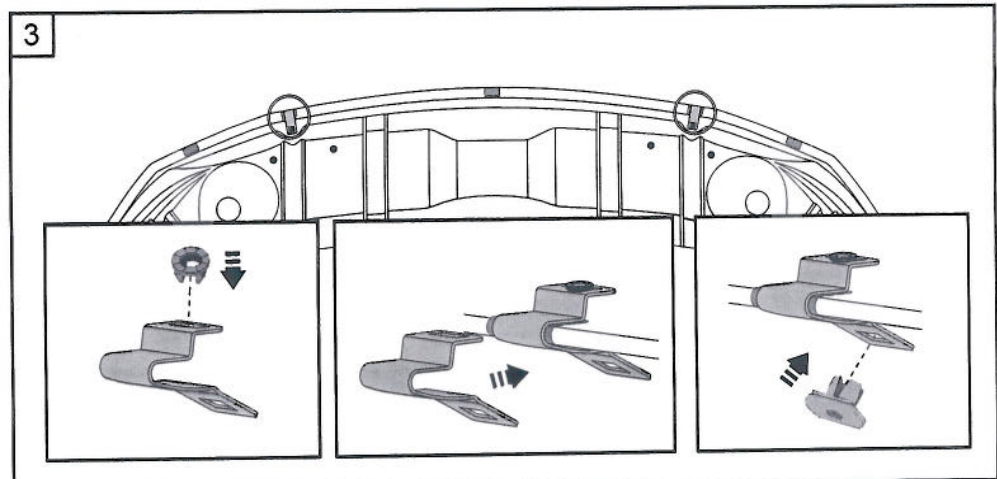
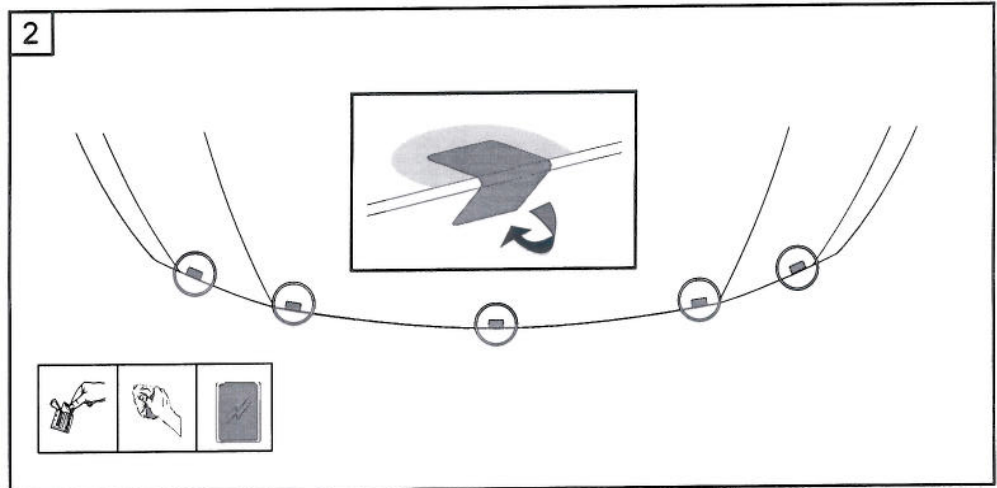
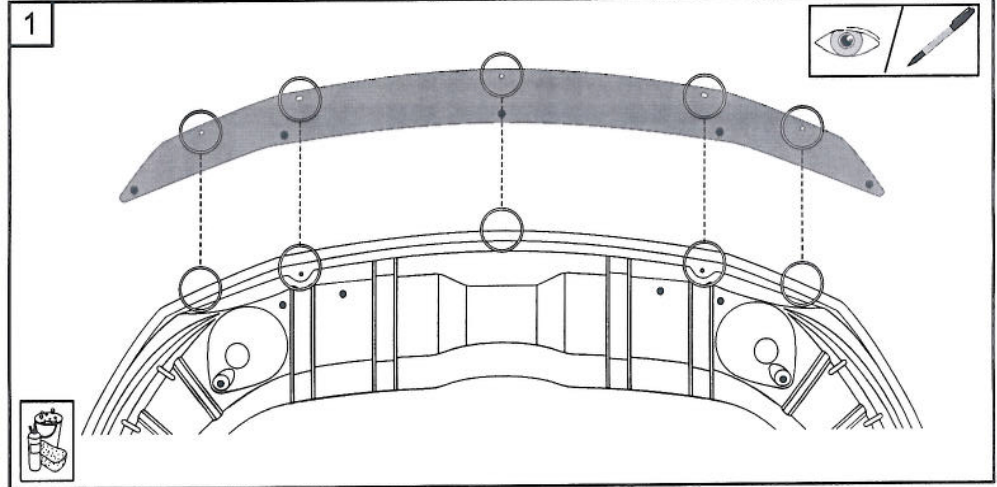
MADE IN USA

1. Wash the hood with a mild soap and water solution, then dry thoroughly. Open the hood. Trial fit the Hood Deflector centrally onto the hood. With a non-permanent marker, note and mark the positions of the two inner slots in the hood Deflector and where they correspond to the holes in the hood, also note and mark the positions of the two outer holes and one centre hole in the Hood Deflector and where they correspond with the hood lip. Remove Hood Deflector.

2. Clean the five noted areas with the alcohol wipe provided. Wipe off any residue with a dry clean cloth. Adhere the abrasive resistant tape strips over the hood lip. Apply tape so approximately half of each strip is adhered to the top side and half is adhered to the underside of hood.

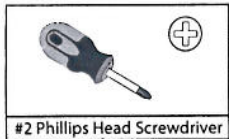
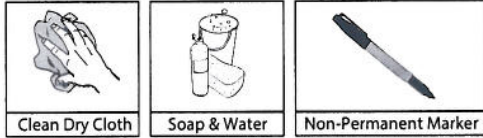
3. Fit the nut inserts into the rectangle slots of the fixed clips. Position the two fixed clips at the previously noted positions. Insert the screw plugs through the square hole of the fixed clips into the hood.

IMPORTANT: Ensure that the clips are positioned over abrasive resistant tape and do not come in contact with any of the hood's paint work. Failure to do this may result in permanent paint damage.



EGR INSTALLATION INSTRUCTIONS

Tools Required



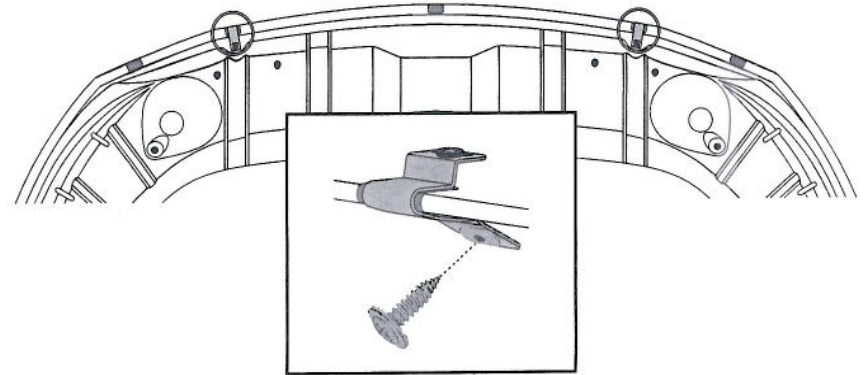
Cleaning Notes

- Spray with a firm water spray to remove any loose dirt.
- Wash with water, detergent and a soft cloth or sponge.
- Do not use petroleum based solvents or abrasives.

MADE IN USA

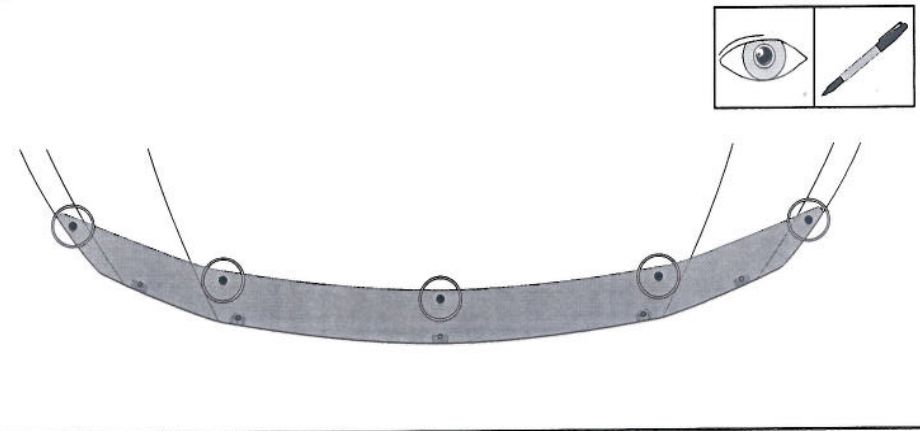
4. Insert the two self-taping screws into the screw plugs and fasten.

4



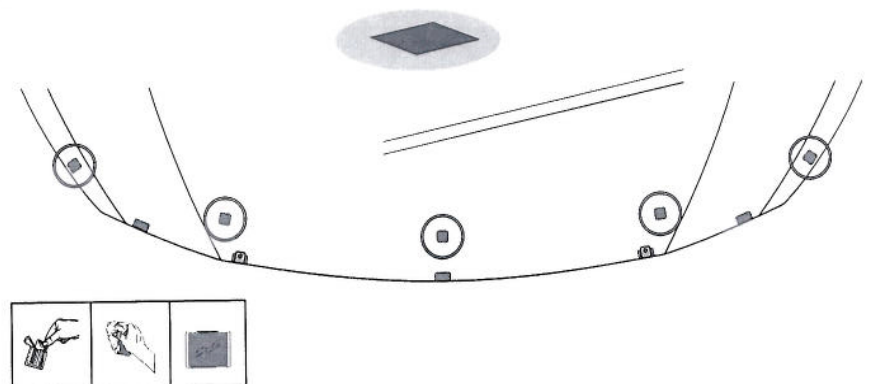
5. Trial fit the Hood Deflector centrally onto the hood. With a non-permanent marker, note and mark the positions of the five bumpers attached to the Hood Protector and where they correspond to the hood. Remove Hood Deflector.

5



6. Clean the five noted areas with the alcohol wipe provided. Wipe off any residue with a dry clean cloth. Adhere the five small abrasive resistant tape strips to the hood.

6



TO REMOVE: Reverse the above procedure.

EGR INSTALLATION INSTRUCTIONS

7. Fit the nut inserts into the square slots of the push-on clips. Slide the push-on clips over the abrasive resistant tape strips on the hood lip.

IMPORTANT: Ensure that the clips are positioned over abrasive resistant tape and do not come in contact with any of the hood's paint work. Failure to do this may result in permanent paint damage.

Tools Required



Clean Dry Cloth



Soap & Water



Non-Permanent Marker



#2 Phillips Head Screwdriver



8. Loosely secure the Hood Deflector to the five metal clips with the five small screws and five fibre washers. Check the Hood Deflector is centrally located on the hood. Fully tighten the screws.

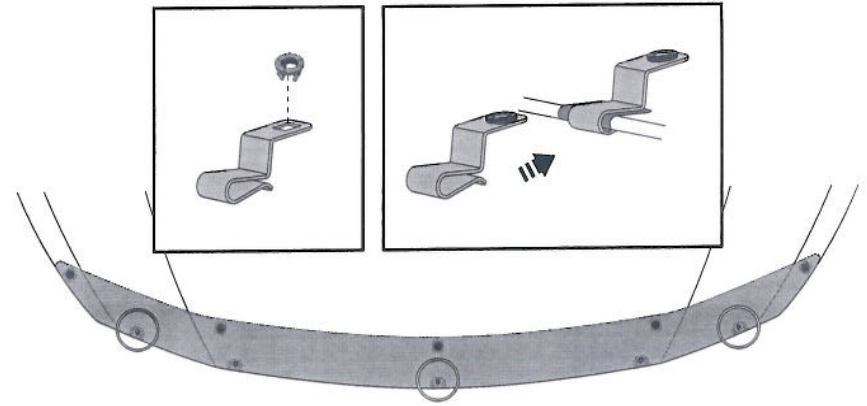
Cleaning Notes

- Spray with a firm water spray to remove any loose dirt.
- Wash with water, detergent and a soft cloth or sponge.
- Do not use petroleum based solvents or abrasives.

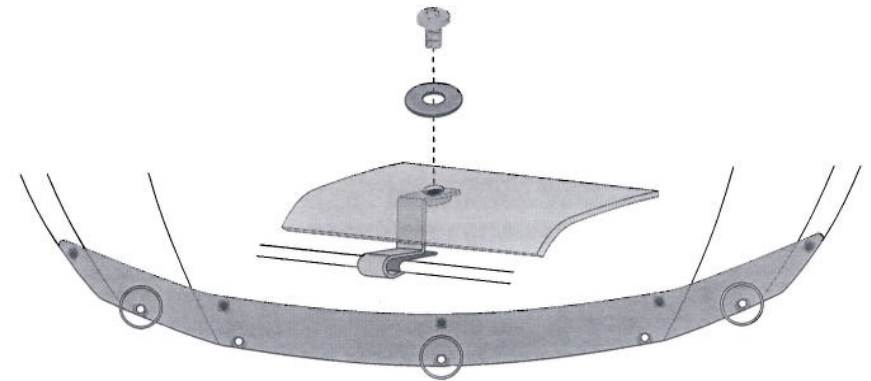
MADE IN USA

TO REMOVE: Reverse the above procedure.

7



8



Learn more about bumper lips we have.