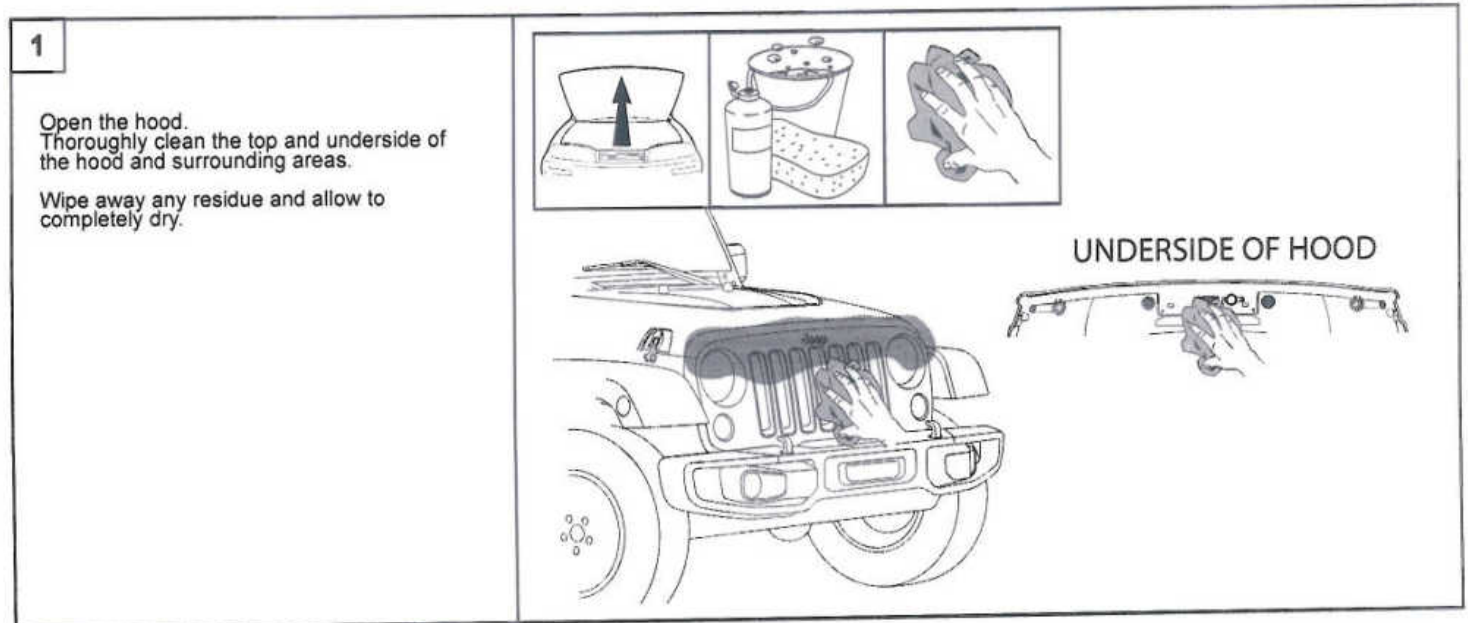
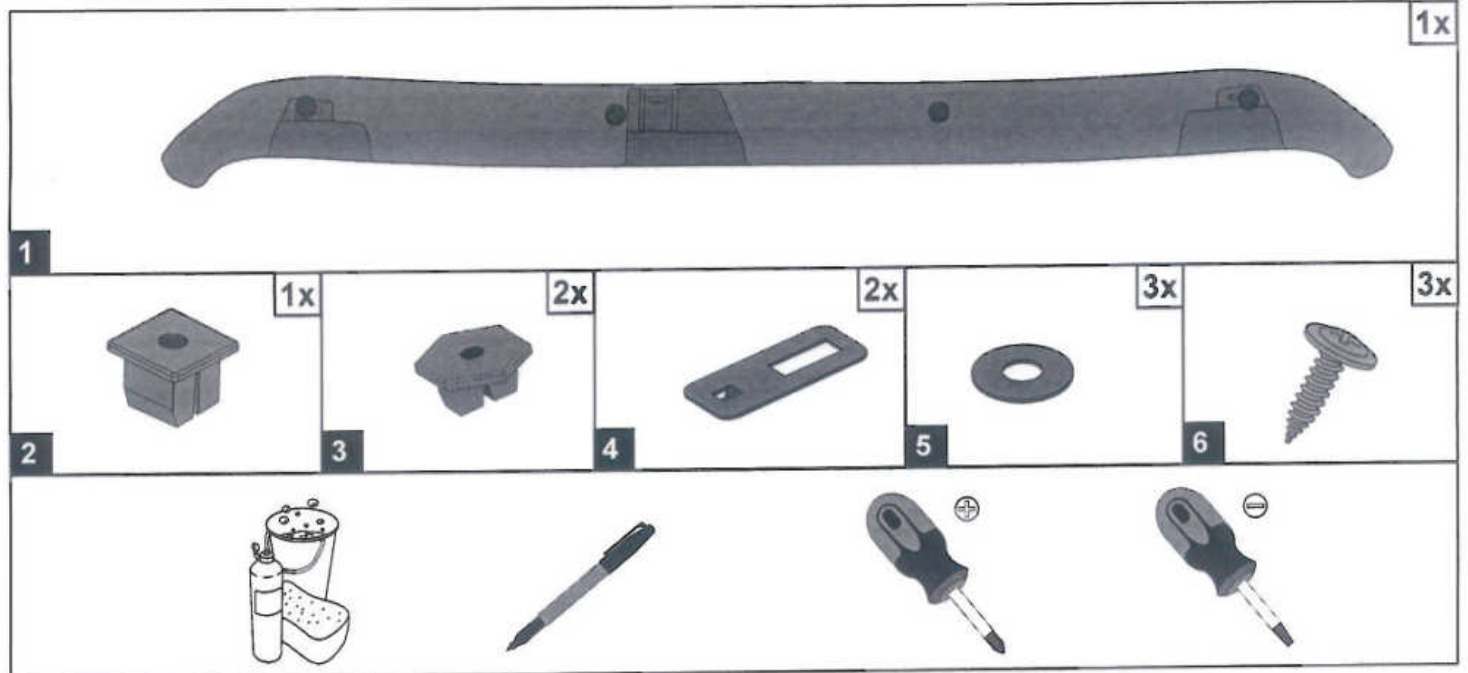
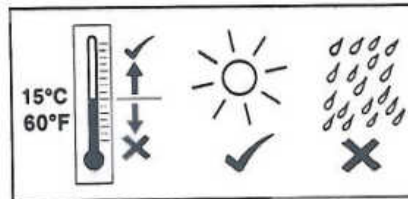
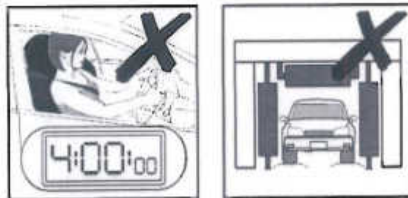


EGR

INSTALLATION INSTRUCTIONS

Tools Required

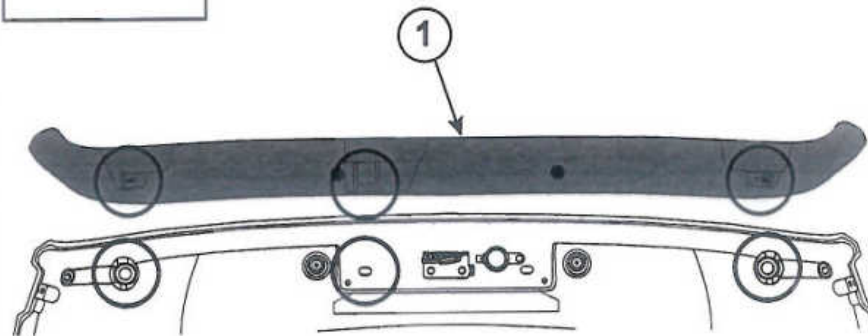
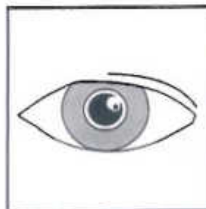


EGR

INSTALLATION INSTRUCTIONS

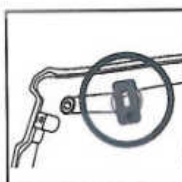
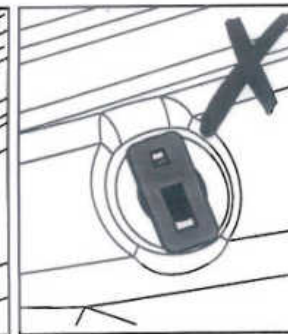
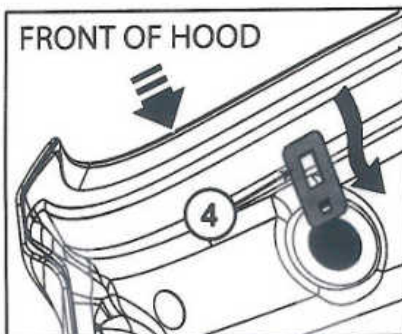
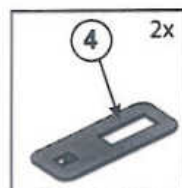
2

Trial fit the Hood Deflector and note where the slots correspond to the holes in the hood.

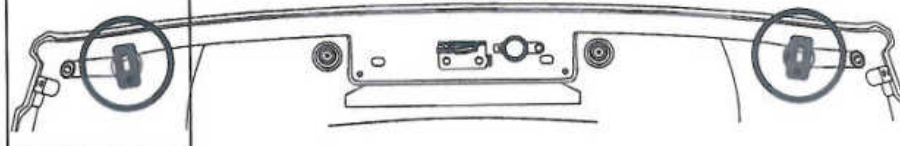


3

Slide a clip (4) into each hole and ensure that the hook is engaged under the sheet metal.

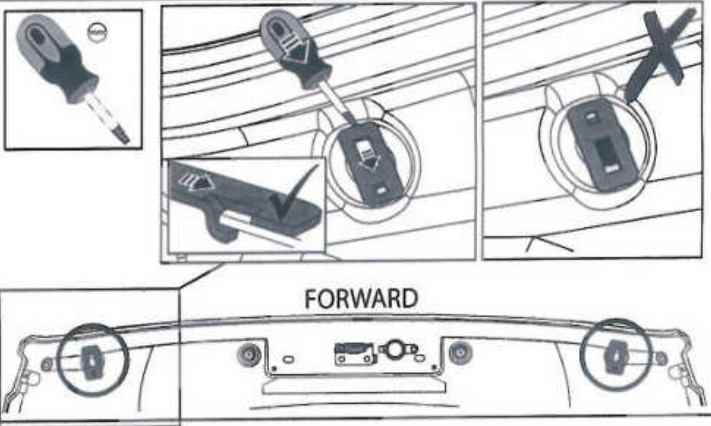
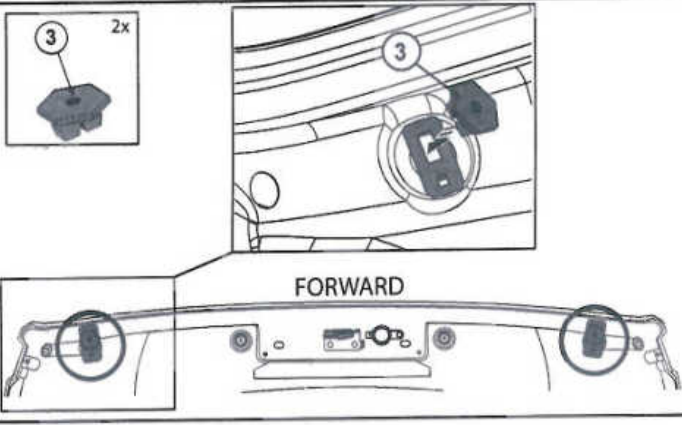
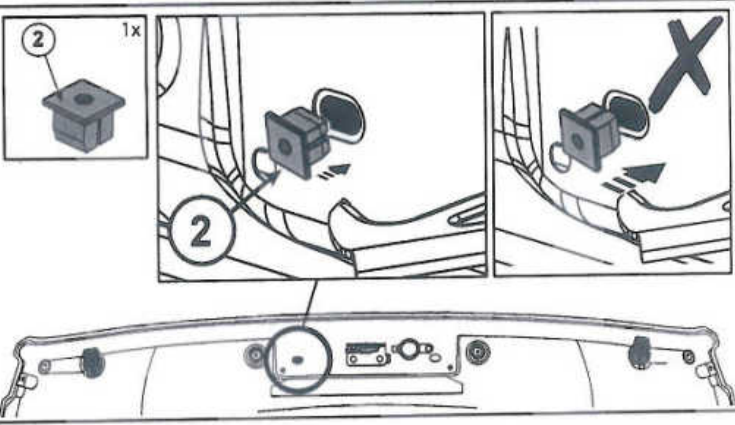


FORWARD



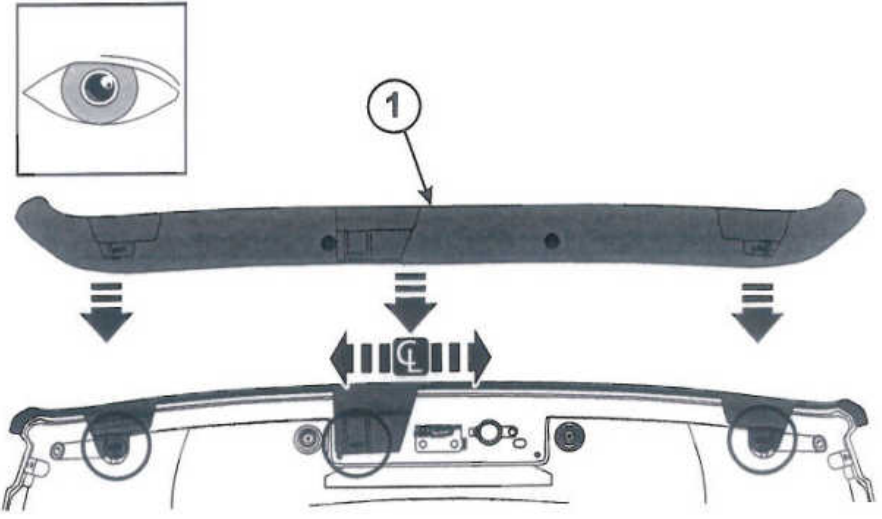
EGR

INSTALLATION INSTRUCTIONS

<p>4</p> <p>Tap the clip with a screwdriver to push it so that the hook is fully seated on the hood.</p>	
<p>5</p> <p>Align the octagonal plug (3) with the rectangular hole and press it into the clip as shown.</p>	
<p>6</p> <p>Fit the square plug into the central rectangular slot in the hood as shown.</p>	

7

Re-fit the Hood Deflector (1).



8

Secure the Hood Deflector with the screws and washers provided.

Torque: 1.5-2.0 NM

6 3x

5 3x

