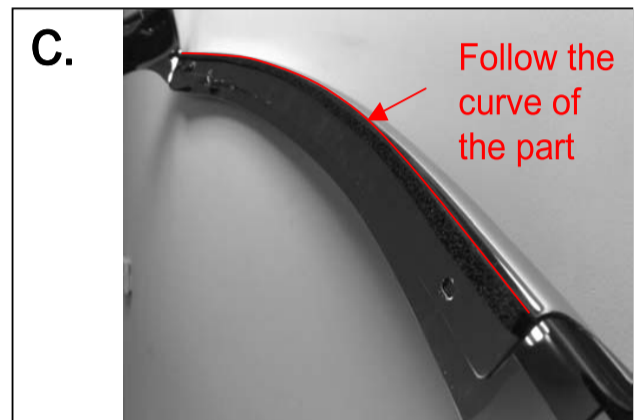
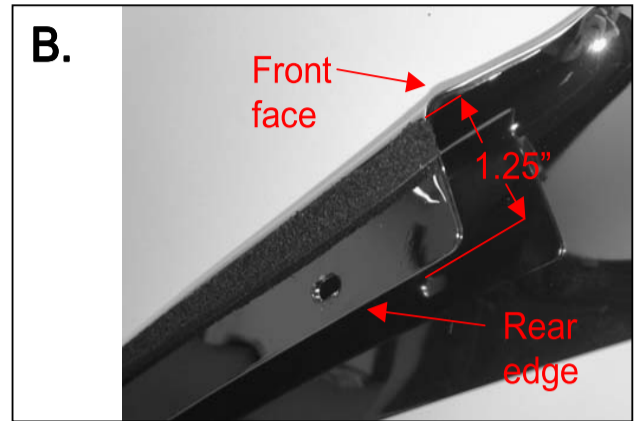
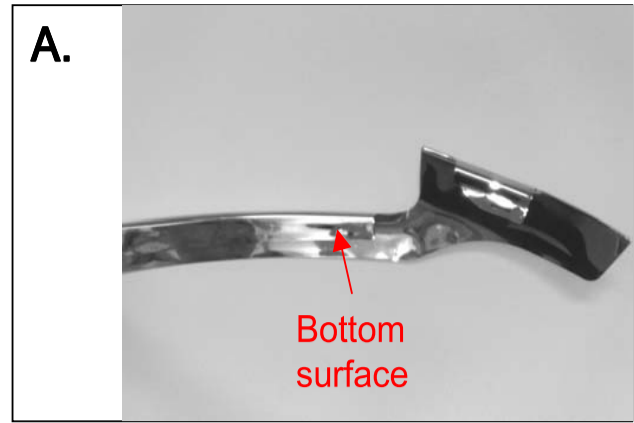




## INSTALLATION INSTRUCTIONS

### INSTALLATION INSTRUCTIONS

1. Remove Hoodguard from protective packaging and place onto a soft, non-scratching surface in the orientations shown in image **A** with the holes in the part facing up. Clean surface with alcohol wipe provided.
2. Take the roll of foam tape supplied and peel 2" of the liner at one end.
3. Place the tape as shown in the image **B**, 1.25" from the inside edge of the part on the bottom surface where the curve of the front face terminates.
4. Follow the position at the bottom of the curve across the entire bottom in image **C** of the part on the bottom surface where the curve of the front face terminates.
5. Cut off any excess tape at the opposite end and press the tape down to guarantee good adhesion.



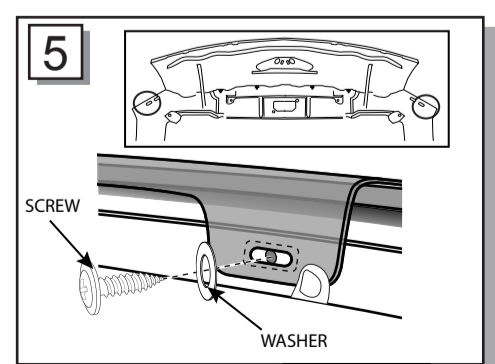
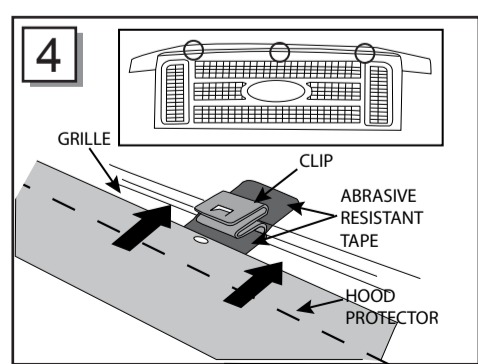
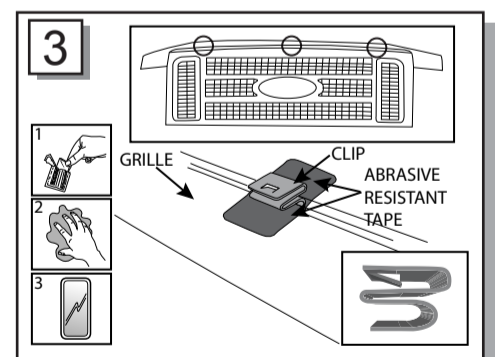
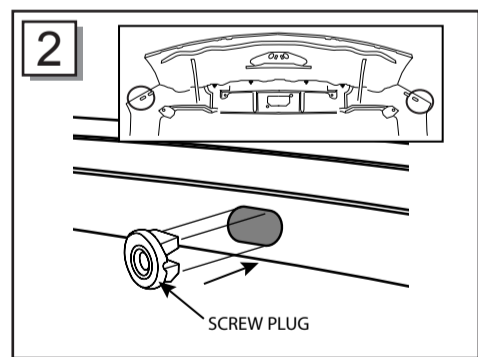
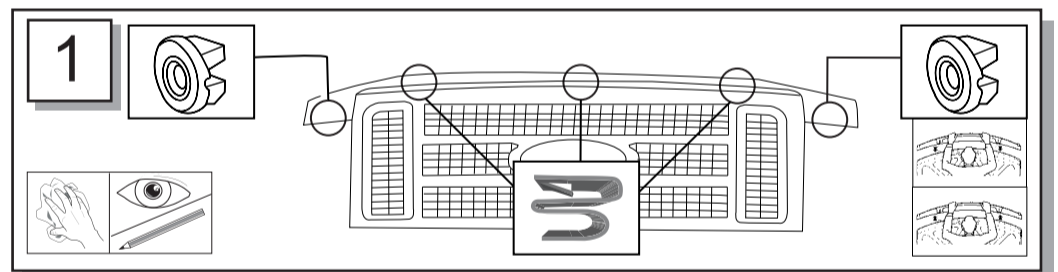
**Please read this section before installing the part to your vehicle.**

### INSTALLATION INSTRUCTIONS

1. Thoroughly clean and dry the hood and grille prior to installation. Trial fit the Hood Protector centrally onto hood. Mark the 3 slots in [Hood Protector](#) tag onto hood lip using a non-permanent marker. Also note where the tag contacts the grille, as well as the holes in the outer wing tag position corresponding to the holes in the underside of the hood.
2. Insert screw plugs into previously noted position in the underside of the hood.
3. At the marked clip positions and where the Hood Protector comes in contact with the hood, clean with alcohol wipe provided. Wipe off any residue with a dry clean cloth. Adhere abrasive resistant tape to the top of the grille and top of hood. Apply 3 centre clips to grille. **IMPORTANT:** Ensure the clips rest over the abrasive resistant tape and do not come in contact with hood paint work. Failure to do this may result in permanent paint damage.
4. Re-fit Hood Protector by securing tags to centre clips.
5. Finally, secure outer wings to hood with screws and washers provided.

**To remove:** Reverse the above procedure.

**To Clean:** Use mild detergent and water solution. (Do **NOT** use solvents). Avoid the use of automatic "Brush Style" car washes. When closing the hood, do **NOT** pull on **Hood Product**.



## INSTALLATION INSTRUCTIONS



- Do not use power tools to install this product.
- No battery operated screw guns.
- The use of power tools during installation may void the product warranty.
- Do not overtighten.

**To Clean:** Use mild detergent and water solution. (Do **NOT** use solvents). Avoid the use of automatic "Brush Style" car washes. When closing the hood, do **NOT** pull on Hood Protector.