

EGR INSTALLATION INSTRUCTIONS

Tools Required



Clean Dry Cloth



Soap & Water



Non-Permanent Marker



#2 Phillips Head Screwdriver



Flat Head Screwdriver

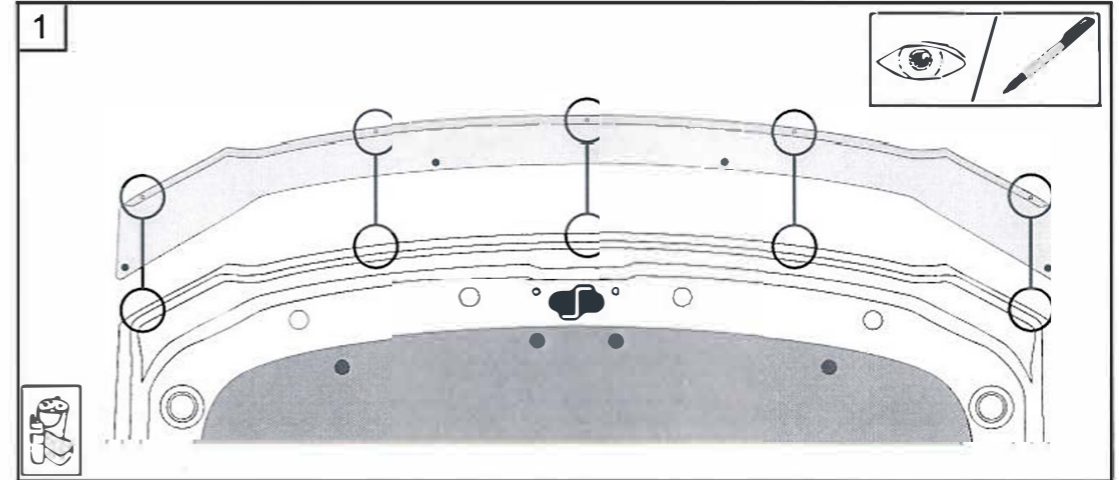


NO POWER TOOLS

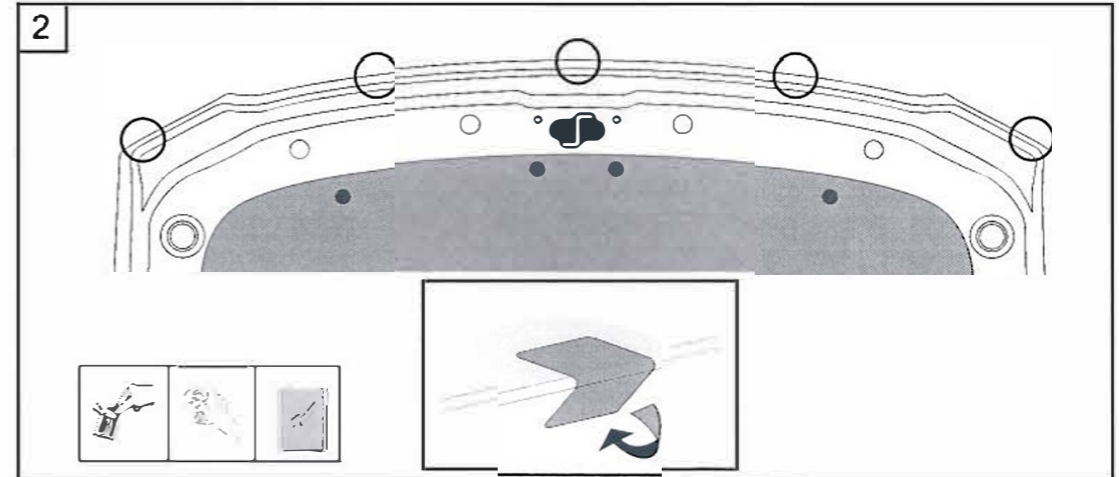
Cleaning Notes

- Spray with a firm water spray to remove any loose dirt.
- Wash with water, detergent and a soft cloth or sponge.
- Do not use petroleum based solvents or abrasives.

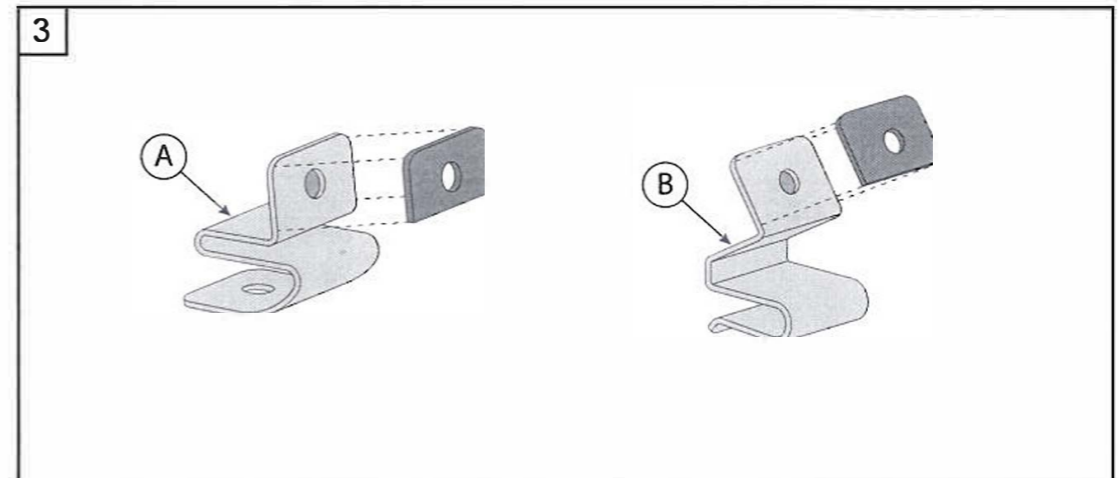
1. Wash the hood with a mild soap and water solution, then dry thoroughly. Open the hood. Trial fit the hood protector centrally onto the hood. With a non-permanent marker, note and mark the positions of the five acrylic tag holes in the [hood protector](#) and where they correspond to the hood.



2. Clean the five noted areas with the alcohol wipe provided. Wipe off any residue with a dry clean cloth. Adhere the abrasive resistant tape strips over the hood lip. Apply tape so approximately half of each strip is adhered to the top side and half is adhered to the underside of hood.



3. Peel the backing tape off the small and large foam washers. Adhere the large foam tape to metal clips "A". Adhere the small foam tape to metal clips "B".



EGR INSTALLATION INSTRUCTIONS

Tools Required



Clean Dry Cloth



Soap & Water



Non-Permanent Marker



#2 Phillips Head Screwdriver



Flat Head Screwdriver

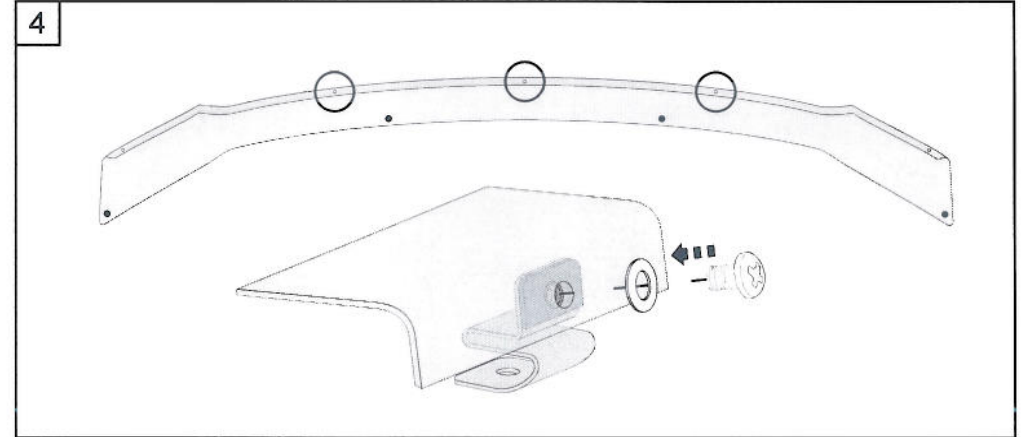


NO POWER TOOLS

Cleaning Notes

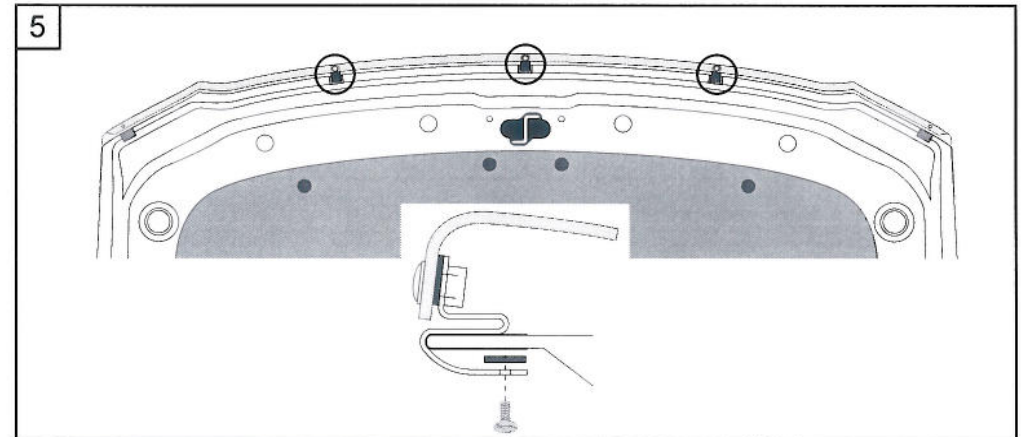
- Spray with a firm water spray to remove any loose dirt.
- Wash with water, detergent and a soft cloth or sponge.
- Do not use petroleum based solvents or abrasives.

- 4• Secure the Hood Protector to the three metal clips "A" with the large screws and washers provided. Fully tighten the screws.



- 5• Fit the Hood Protector centrally to hood and insert the plastic spacer between the metal clip and underside of the hood. Loosely secure to the three metal clips "A" with the small screws provided. Check the Hood Protector is centered, then fully tighten the screws.

IMPORTANT: Ensure that the clips are positioned over abrasive resistant tape and do not come in contact with any of the hood's paint work. Failure to do this may result in permanent paint damage.



- 6• Push the metal wing clips onto hood locating the clips over the abrasive resistant tape strips on the hood lip. Secure the Hood Protector to the two metal clips "B" with the large screws and washers provided. Fully tighten the screws.

IMPORTANT: Ensure that the clips are positioned over abrasive resistant tape and do not come in contact with any of the hood's paint work. Failure to do this may result in permanent paint damage.

TO REMOVE: Reverse the above procedure.

