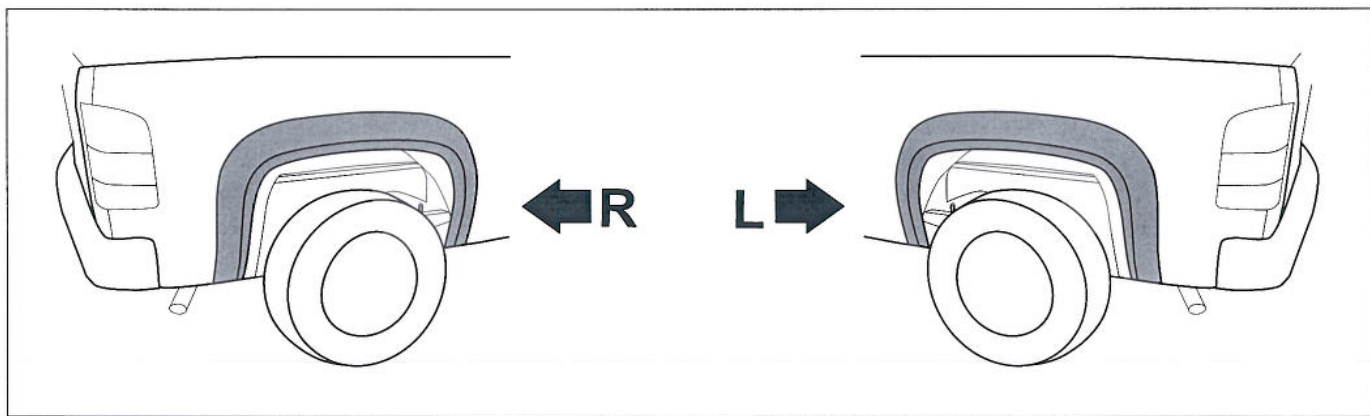


# FENDER FLARES

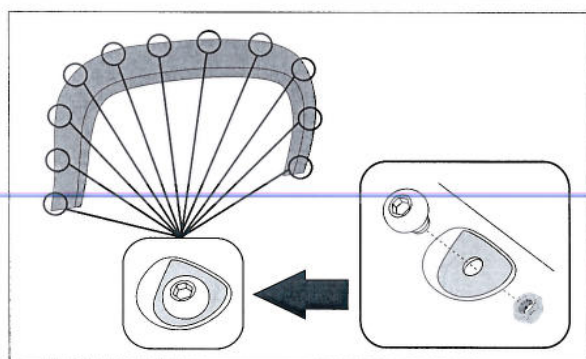
## INSTALLATION INSTRUCTIONS

### REAR FENDERS

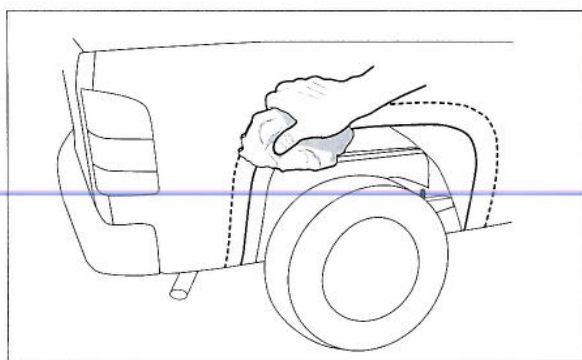


1. Ensure that both left and right hand Fender Flares suit the profile of the vehicle. Note the areas where the Fender Flares come in contact with the vehicle. **NOTE:** Before fitting Fender Flares remove any mouldings, strips or existing flares from the wheel arch. If there is a body side moulding, mark where the moulding is to be cut, alternatively the Fender Flares can be cut to go around the moulding. Be sure to allow enough room for the extrusion.

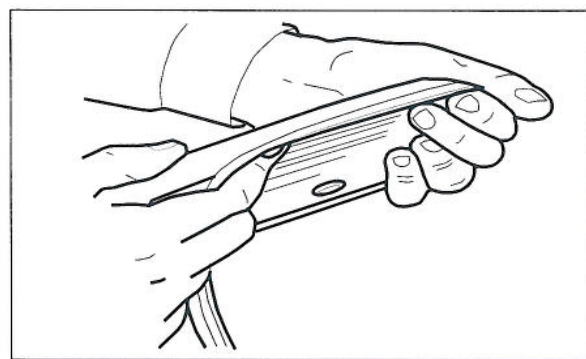
**PAINTING INSTRUCTIONS** – If Fender Flares are being painted, do not install edge extrusion until painting is complete. Prior to painting, clean all surfaces to be painted using clean water and a mild detergent, do not use lacquer thinner or any solvent based products. Wipe completely dry. Best results will be achieved by wiping the areas to be painted with a tack rag just prior to painting. Most automotive paints can be applied directly to the Fender Flares, however some may require a primer (check paint manufacturer specifications). Good adhesion will be achieved without sanding. Select a paint (and primer if necessary) that is suitable for rigid plastics PMMA (Acrylic). If using a paint system which requires baking, do not expose the product to temperatures above 70°C (158°F). Do not fit the extrusion or any of the hardware to the Fender Flares until the paint is completely dry.



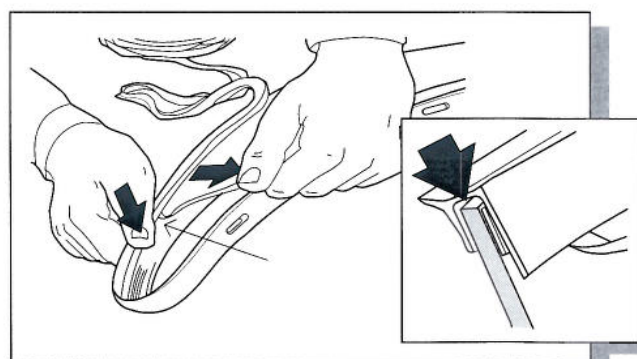
2. Attach 11 bolts to each Fender Flare using a 3/16" Allen key and a 1/2" wrench/socket.



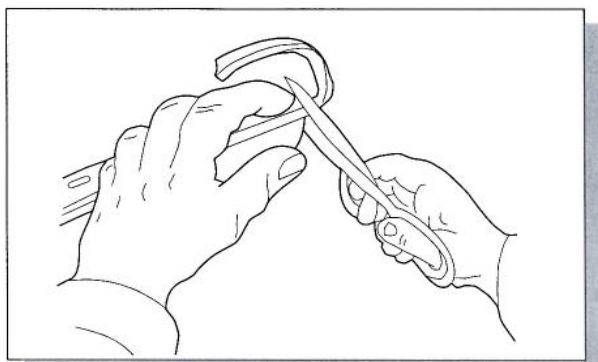
3. Wash the areas of contact on the vehicle and wipe dry both the vehicle and the Fender Flares with a clean cloth. Ensure inside of Fender Flares where extrusion is attached are clean, use alcohol wipe supplied to clean surface.



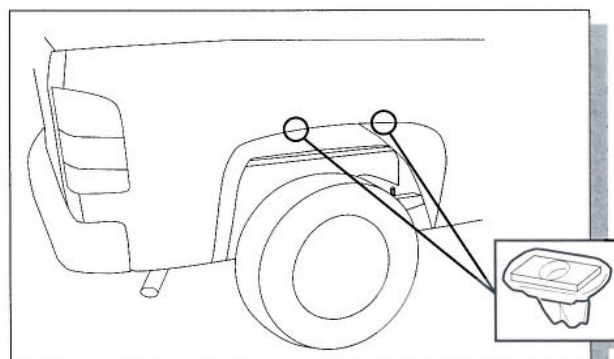
4. Remove approximately 2" (50mm) of the protective liner from the extrusion. Fit the extrusion to the Fender Flares along the edge that comes in contact with the vehicle's body panel.



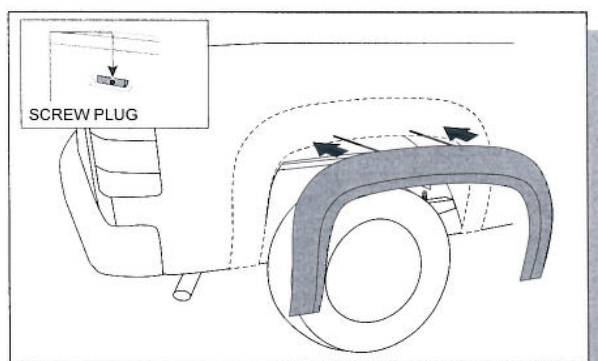
5. Pulling at right angles to the extrusion, remove the liner from the extrusion in small portions and apply thumb pressure to ensure that it adheres to the Fender Flares.



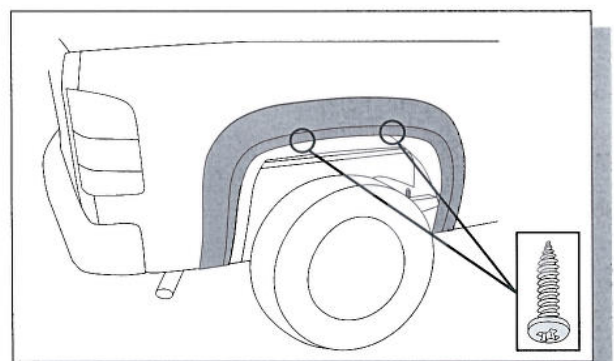
- 6.** Trim any unnecessary extrusion and discard.



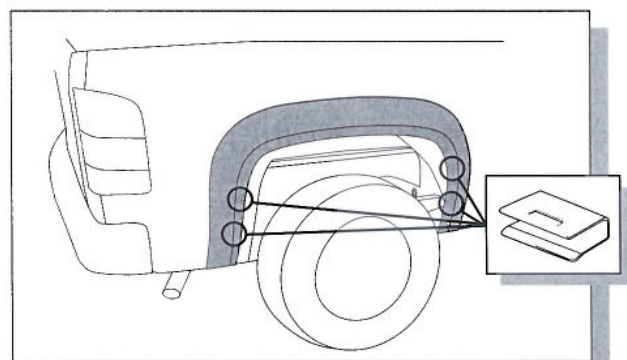
- 7.** Take the 2 screw plugs from the hardware kit and push them into the 2 outside holes under the wheel arch on each side so they fit tightly.



- 8.** Place the rear Fender Flare onto the vehicle and line up the slots in the Fender Flare with those of the screw plugs on the vehicle previously installed.



- 9.** Install the black Phillips head screws into the fender to secure the Fender Flares. Fit the Fender Flares loosely until the Fender Flares are aligned as desired. When satisfied, tighten the screws fully and ensure extrusion is flush neatly against the body.



- 10.** To secure the lower part of the Fender Flares to the body, take the black metal clips and slide them over the Fender Flares and inner wheel arch lip. Position clip so that the barb in the clip locates in the slot in the Fender Flare. Ensure all fixing points are secure and that extrusion is flush neatly against the body.

