

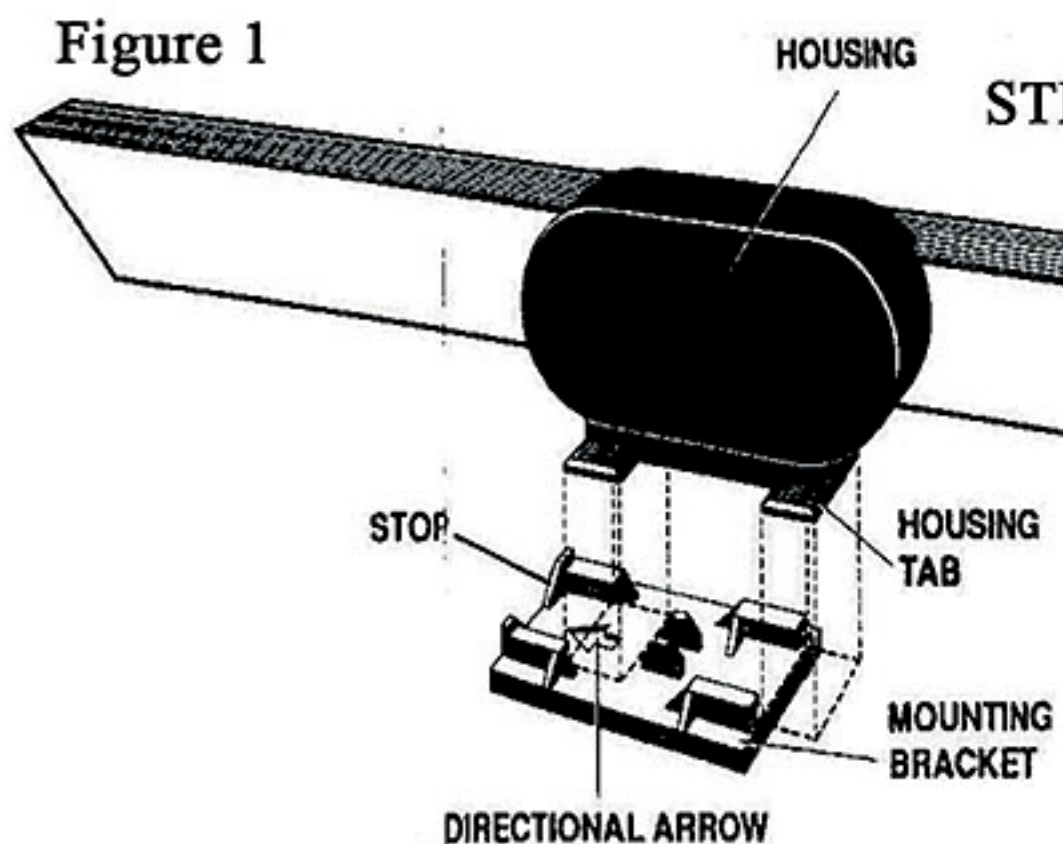


eclipsesunshades

NO TOOLS REQUIRED!
GLASS CLEANER AND PAPER TOWELS ARE
ALL YOU NEED!

Following these step-by-step instructions will assure
trouble-free operation.

Package contains: one two-piece shade, 4 mounting
brackets, alcohol pads, instruction sheet



STEP 1: BRACKETS

Position each mounting bracket under the housing
tab, as indicated at left, and slide onto the bracket
all the way to the stop, making sure the directional
arrows on brackets are pointing toward opposite
ends of the shade, as indicated below.

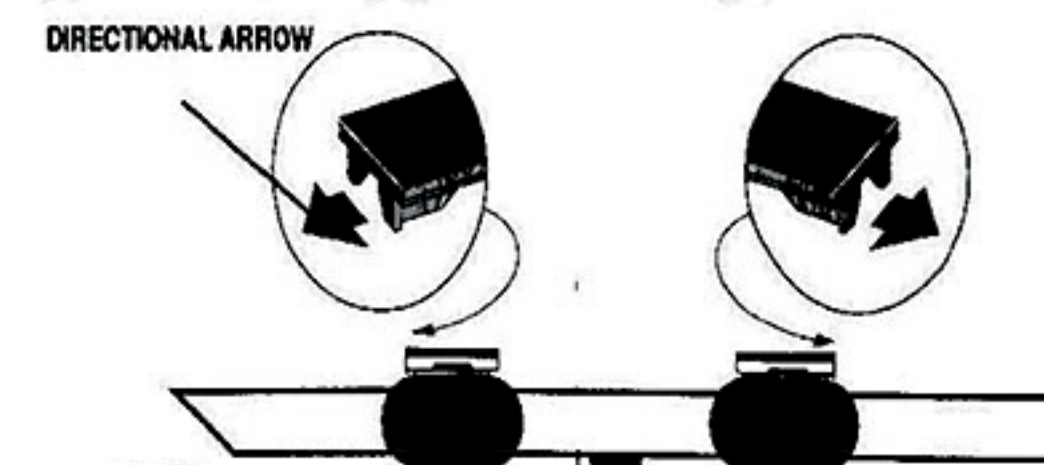


Figure 1.2

STEP 2: CLEANING

With glass cleaner and paper towels,
thoroughly clean the inside of the
windshield next to the posts.

Wipe same area with alcohol pads
provided and dry completely with a
FRESH paper towel

Note: Do not install at temperatures
below 60° F



Figure 2

STEP 3: POSITIONING

Hold the shade next to the windshield post
(do not remove adhesive liners yet). The
angle cut should be at the bottom with the
velcro toward the center, as illustrated in
Figure 3..

Note: The bottom of the shade should be
close to the dashboard but not touching,
and the plastic housing should be close to
the windshield post but not touching.



Figure 3

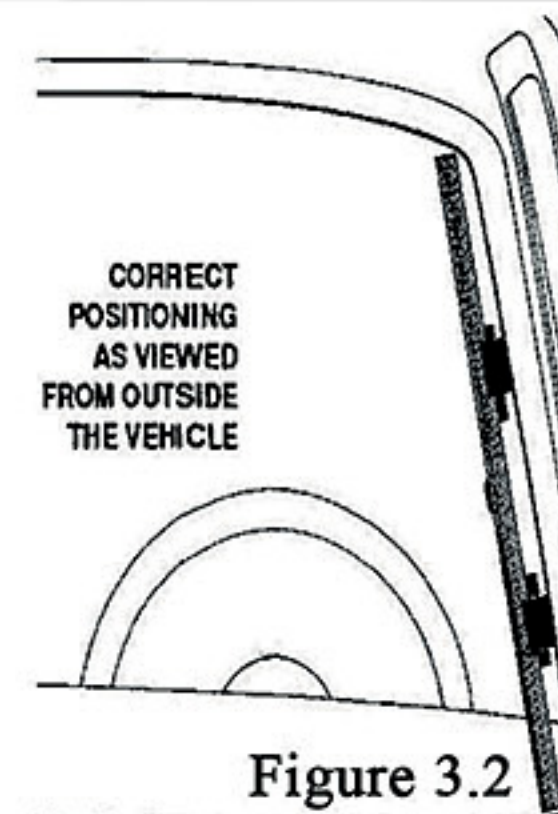


Figure 3.2

STEP 4: PEELING

Peel the protective liners from the adhesive

STEP 5: ATTACHING

Position shade as instructed in Step 3
and gently touch adhesive pads to
windshield.

Apply light, steady pressure to each
housing, as indicated in figure 5.

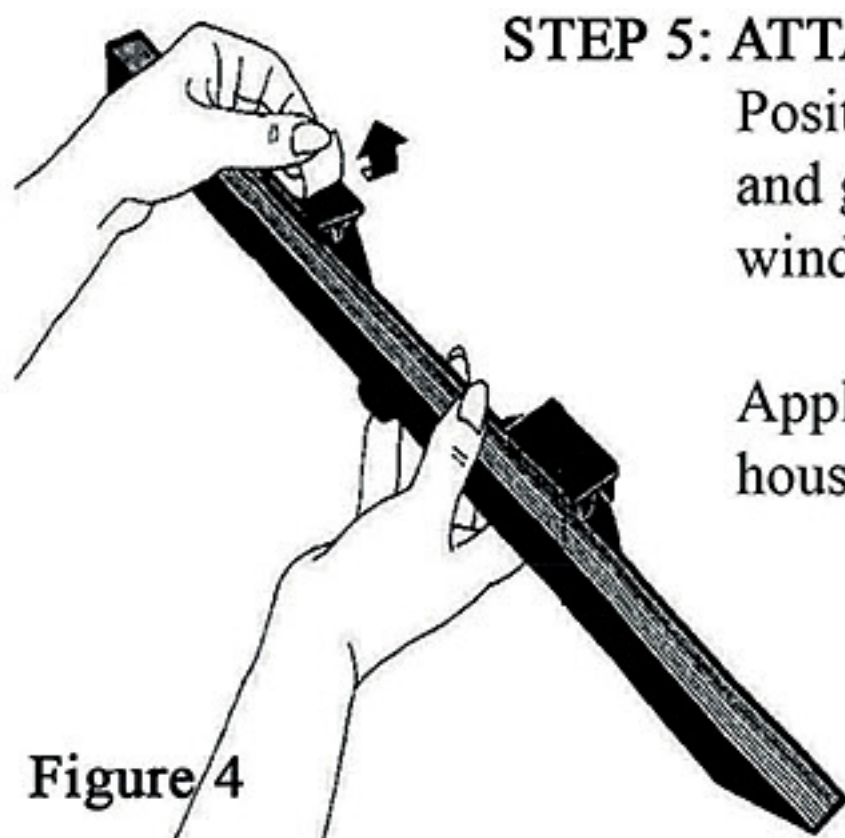


Figure 4

STEP 6: PRESSING

Remove shade as shown on reverse-side of this
sheet. Step outside of vehicle and press on each
adhesive pad so that there is a minimal amount
of air trapped between glass and adhesive.
Repeat Steps 1-6 for other shade half.

Note: Before replacing the shade in mounting
brackets, allow 24 hours curing time for
adhesive pads to reach full bond strength.

CAUTION: After installing, be careful not to
spray cleaning solutions (such as Windex)
directly on the mounting brackets as this will
weaken the adhesive bond.



Figure 5



Figure 6