

PMON-43



4.3" Windshield Mount Dual Input Monitor

Manual



ECHOMASTER
PRO



PMON-43

4.3" Windshield Mount
Dual Input Monitor

Introduction

Thank you for purchasing your EchoMaster Pro automotive monitor.

Your monitor displays a clear, high resolution image of the area surrounding your vehicle, meaning your maneuvering and vehicle awareness will be greatly improved.

Please ensure you read and understand all aspects of this manual before fitting or using your EchoMaster monitor.

Box Contents

- ▶ User Guide
- ▶ Monitor
- ▶ Mounting Bracket
- ▶ Sunshade
- ▶ Main Harness
- ▶ Monitor - RCA Adapter
- ▶ Harness Tape

Key Features

- ▶ 4.3" high resolution display
- ▶ Windshield suction mount
- ▶ Dual video input
- ▶ Reverse trigger detect

PMON-43

4.3" Windshield Mount
Dual Input Monitor



Fitting Instructions

Choose a mounting location on the windshield that will not obscure the driver's view. Please ensure that the unit is not mounted in a location that will obstruct the operation of any airbags.

Once the unit is in place, run the connections cable to behind the dash where the connections are to be made as shown in the wiring diagram section of this manual.

Operating Instructions

To turn on the unit the vehicle ignition should be active.

The monitor will only turn on when there is a video signal present.

Press the CAM SEL button to turn the screen on. You can also use this button to switch between the two input signals.

Pressing the MENU button will allow you to adjust the various menu settings available.

When a 12V input is detected on the green wire the unit will automatically switch to Video1. If the unit is currently turned off when this trigger is detected it will automatically turn on and switch to Video 1.



PMON-43

4.3" Windshield Mount
Dual Input Monitor

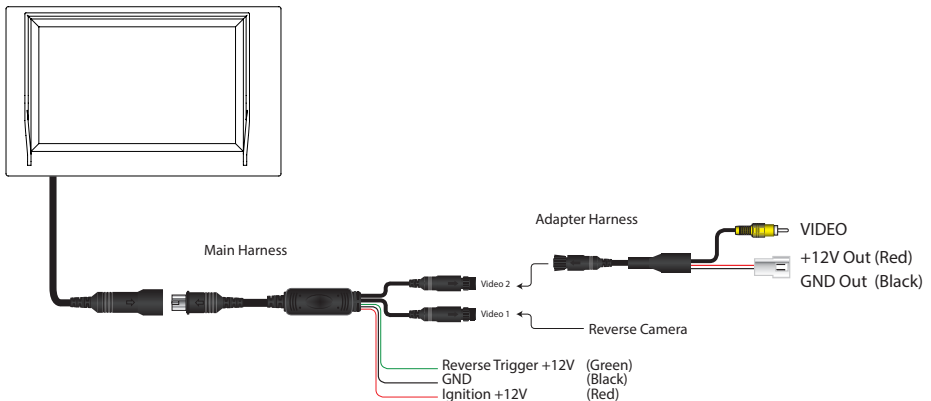
Operating Instructions (continued)

Menu

The Menu functions can be adjusted using the + and – buttons on the monitor.

- Contrast:** Adjust the contrast of the screen between 0 and 30.
Brightness: Adjust the brightness level of the screen between 0 and 30.
Color: Adjust the color of the screen between 0 and 30.
Version: This will show you the version of software that is currently installed in the MON-43.

Wiring Diagram

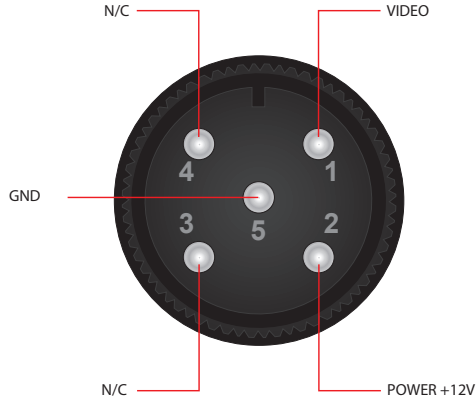


PMON-43

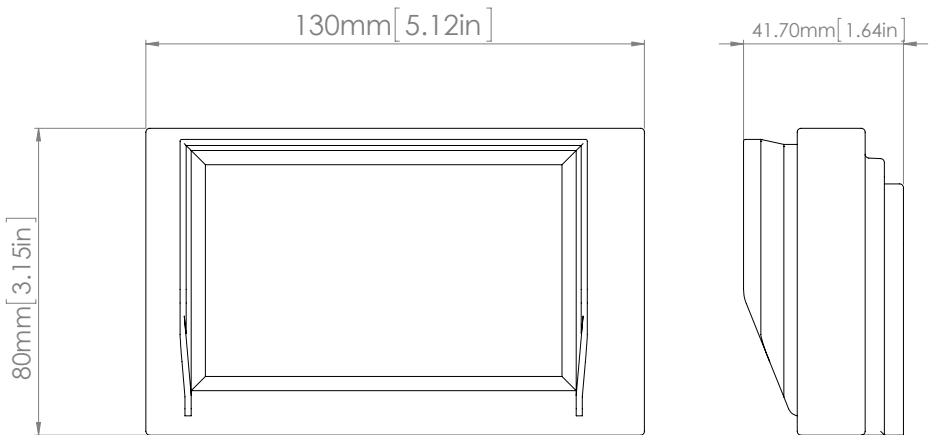
4.3" Windshield Mount
Dual Input Monitor



Pin Out



Dimensions (mm)





PMON-43

4.3" Windshield Mount
Dual Input Monitor

Specifications

| PMON-43 | |
|-----------------------|---------------|
| Screen Size | 4.3" |
| Aspect Ratio | 16:9 |
| Power Supply | 12-24V DC |
| Resolution | 391 x 680 |
| Luminance | 200 |
| Contrast | 500:1 |
| TV Format | AUTO |
| OSD Languages | Multi |
| Video Inputs | 2 |
| Audio Inputs | 0 |
| Triggers | 2 |
| Current Draw | 400mA |
| Operating Temperature | -20C - +70C |
| IP Rating | 30 |
| Parking Guidelines | NO |
| Dimensions (mm) | 80 x 130 x 42 |