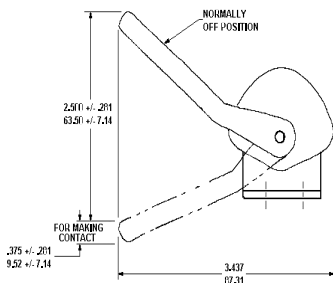
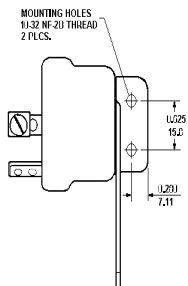
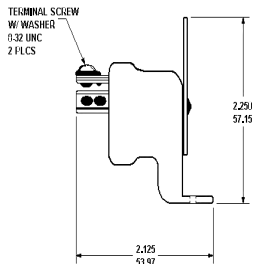
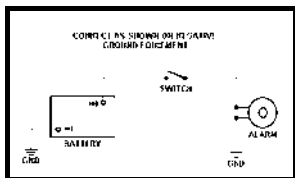


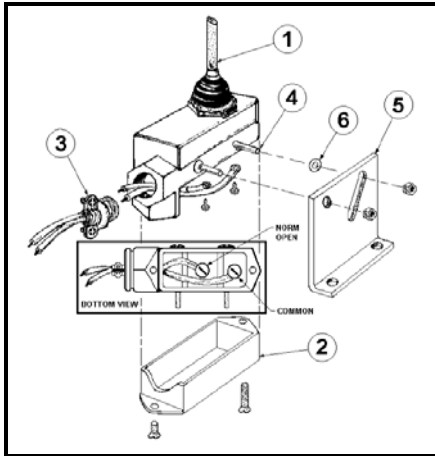


## A MECHANICAL SWITCH FOR USE WITH BACK-UP ALARMS

Install the switch adjacent to the gear shift lever so that shifting into reverse will move the switch actuator arm sufficiently to make electrical contact.



# INSTALLATION INSTRUCTIONS



Back-Up Alarms must be tested each day prior to vehicle operation. A record of this test must be recorded in the vehicle maintenance file.

**IMPORTANT:** This unit is a safety device, and must be connected to it's own separate, fused power point to assure it's continued operation should any other electrical accessory fail.

- A. Select a convenient location for mounting the switch, either at the reverse gear linkage or shift lever, so the outer end of the switch actuating arm (1) will be moved a minimum of one inch when vehicle is put into reverse gear. Contact with the actuating arm should be made approximately 1 1/2" from the end.
- B. Thread two 14 or 16 gage wires to this switch location. One from the positive terminal of the back-up alarm (red wire or front terminal) and the other from a good source of electricity.
- C. Remove lower switch housing (2). Install wire clamp (3) and insert wires through clamp. Connect one of the wires to the terminal marked "COMMON".  
*NOTE: To improve moisture resistance apply a sealing compound around wires at clamp (3) after reassembly.*
- D. Unscrew hex nuts from switch mounting bolts (4) and attach mounting bracket (5). Be sure that sealing washers (6) are in place between bracket and switch. Bolt bracket in position on vehicle.
- E. Check back-up alarm system for proper operation before using vehicle. If alarm does not function, reverse power leads to alarm. If alarm still does not function, check to make sure actuating arm is moving one inch.

**CAUTION:** This switch is designed to handle the current draw of back-up alarms. No other circuit can be added to system without endangering life of the switch.

**Manufacturer Limited Warranty and Limitation of Liability:**

Manufacturer warrants that on the date of purchase this product will conform to Manufacturer's specifications for this product (which are available from the Manufacturer upon request), and Manufacturer further warrants that this product is free from defects in materials and workmanship. This Limited Warranty extends for twenty-four (24) months from the date of manufacture. Other warranties may apply, call Manufacturer for details. Manufacturer will, at its discretion, replace or repair any product found by the Manufacturer to be defective and subject to this Limited Warranty.

DAMAGE TO PARTS OR PRODUCTS RESULTING FROM TAMPERING, ACCIDENT, ABUSE, MISUSE, NEGLIGENCE, UNAPPROVED MODIFICATIONS, FIRE, OR OTHER HAZARD; IMPROPER INSTALLATION OR OPERATION; OR NOT BEING MAINTAINED IN ACCORDANCE WITH THE MAINTENANCE PROCEDURES SET FORTH IN MANUFACTURER'S INSTALLATION AND OPERATING INSTRUCTIONS VOIDS THIS LIMITED WARRANTY.

ORAL STATEMENTS OR REPRESENTATIONS ABOUT THE PRODUCT WHICH MAY HAVE BEEN MADE BY SALESPEOPLE, DEALERS, AGENTS, OR OTHER MANUFACTURER'S REPRESENTATIVES DO NOT CONSTITUTE WARRANTIES. THIS LIMITED WARRANTY MAY NOT BE AMENDED, MODIFIED, OR ENLARGED, EXCEPT BY A WRITTEN AGREEMENT SIGNED BY AN AUTHORIZED OFFICIAL OF MANUFACTURER WHICH EXPRESSLY REFERS TO THIS LIMITED WARRANTY.

**Exclusion of Other Warranties:**

MANUFACTURER MAKES NO OTHER WARRANTIES, EXPRESS OR IMPLIED. THE IMPLIED WARRANTIES FOR MERCHANTABILITY OR FITNESS FOR A PARTICULAR PURPOSE ARE HEREBY EXCLUDED AND SHALL NOT APPLY TO THE PRODUCT. BUYER'S SOLE AND EXCLUSIVE REMEDY IN CONTRACT, TORT, OR UNDER ANY OTHER THEORY AGAINST MANUFACTURER REGARDING THE PRODUCT AND ITS USE SHALL BE THE REPLACEMENT OR REPAIR OF THE PRODUCT AS DESCRIBED ABOVE.

**Limitation of Liability:**

IN THE EVENT OF LIABILITY FOR DAMAGES ARISING OUT OF THIS LIMITED WARRANTY OR ANY OTHER CLAIM RELATED TO THE MANUFACTURER'S PRODUCTS, MANUFACTURER'S LIABILITY FOR DAMAGES SHALL BE LIMITED TO THE AMOUNT PAID FOR THE PRODUCT AT THE TIME OF THE ORIGINAL PURCHASE. IN NO EVENT SHALL MANUFACTURER BE LIABLE FOR LOST PROFITS, THE COST OF SUBSTITUTE EQUIPMENT OR LABOR, PROPERTY DAMAGE, OR OTHER SPECIAL, CONSEQUENTIAL, OR INCIDENTAL DAMAGES BASED UPON ANY CLAIM FOR BREACH OF CONTRACT, IMPROPER INSTALLATION, NEGLIGENCE, OR OTHER CLAIM, EVEN IF MANUFACTURER OR A MANUFACTURER'S REPRESENTATIVE HAS BEEN ADVISED OF THE POSSIBILITY OF SUCH DAMAGES. MANUFACTURER SHALL HAVE NO FURTHER OBLIGATION OR LIABILITY WITH RESPECT TO THE PRODUCT OR ITS SALE, OPERATION AND USE, AND MANUFACTURER NEITHER ASSUMES NOR AUTHORIZES THE ASSUMPTION OF ANY OTHER OBLIGATION OR LIABILITY IN CONNECTION WITH SUCH PRODUCT.

This Limited Warranty defines specific legal rights. You may have other legal rights which vary from state to state. Some states do not allow the exclusion or limitation of incidental or consequential damages.