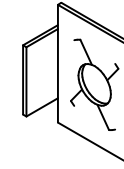
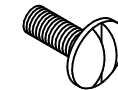


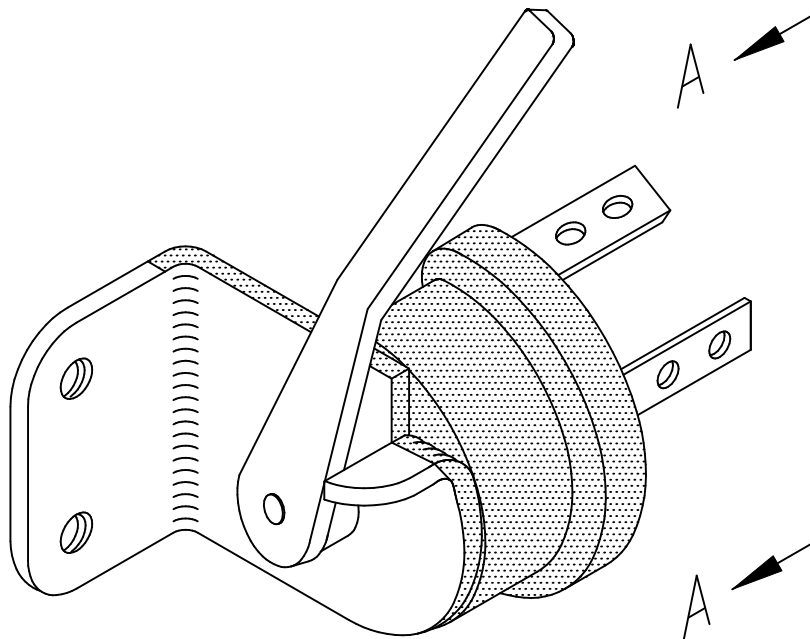
VIEW A-A



(2 EACH)



(2 EACH)



NOTES:

1. SHOWS AREAS TO BE COVERED WITH PLASTIC DIP COATING. 

NONDISCLOSURE AGREEMENT		TOLERANCES <small>(UNLESS OTHERWISE NOTED)</small>		A 10-9-95 ADDED NONDISCLOSURE BLOCK			
THIS DRAWING AND THE DESIGN IT DISCLOSES ARE THE PROPERTY OF ECCO AND IT IS ISSUED IN CONFIDENCE FOR ENGINEERING INFORMATION ONLY. THE DRAWING AND OR DESIGN MAY NOT BE REPRODUCED, DISCLOSED TO OUTSIDERS, OR USED FOR ANY OTHER PURPOSE WITHOUT THE PRIOR EXPRESS CONSENT OF ECCO. THE DRAWING IS SUBJECT TO RECALL AT ANY TIME.		DECIMAL:		REV	DATE	DESCRIPTION	
		ONE PLACE	+/- 0.1	<div style="font-size: 2em; font-weight: bold; text-align: center;">ECCO</div> SCALE: NONE DRAWN: CHK'D: APP'D: DATE: 7-6-95			
TWO PLACE	+/- 0.01						
THREE PLACE	+/- 0.005						
ANGULAR:	+/- 0.5°	SW10 LIGHT DUTY SWITCH					
FRACTIONAL	+/- 1/64	P/N				DRAWING NO. FGS\SW10-LA	