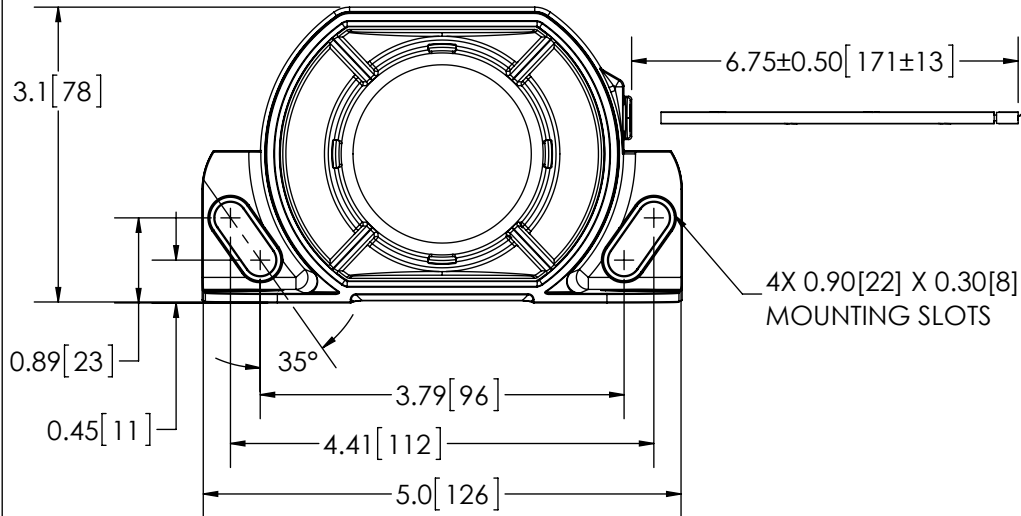


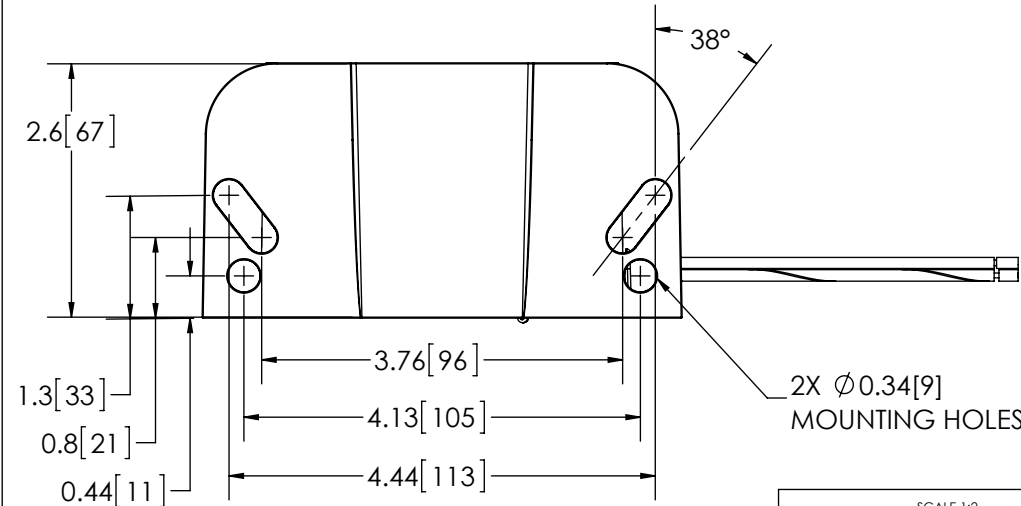
REVISION HISTORY		
REV.	DESCRIPTION	DATE
01	PRELIMINARY RELEASE PER P10023	2016-01-27
A	INITIAL RELEASE PER P10023	2016-01-29



2-16 AWG WIRES
RED/WHITE - POSITIVE (+)
BLACK - NEGATIVE (-)

SPECIFICATIONS

- CERTIFICATIONS: **CE**; **UL**; ECE R10; IP-64D
Note: Unique components, accessories, and hardware kits are not typically included in the Product Certification Test Protocols. Unless otherwise Specified, the Product Certifications referred to herein are predicated upon the base product model configuration.
- SOUND PRESSURE LEVEL: 82 to 102 ± 4 dB (A) @ 1.2m (4ft)
- VOLTAGE (NOMINAL): 36 to 80 VDC
- VOLTAGE (EXTREME): 27.0 to 92.0 VDC
- CURRENT (PEAK): 0.2 A (@ 12 VDC NOMINAL)
- POWER (MAXIMUM): 9 W (@ 12 VDC NOMINAL)
- TEMPERATURE RANGE: -40°F (-40°C) TO 185°F (85°C)
- FREQUENCY: 1200 to 1700 Hz
- CONNECTION: 2-16 AWG WIRES
- RECOMMENDED MOUNTING: 5/16-18 UNC, GRADE 5 OR BETTER; 5/16" TYPE A, SERIES N OR W WASHER
- HOUSING MATERIAL: GLASS FILLED NYLON
- PRODUCT WEIGHT: X LBS (0.0 Kg)



NOTES:
1. DIMENSIONS IN INCHES [MILLIMETERS (FOR REFERENCE)]

SCALE 1:2		APPROVALS	DATE	
CAD GENERATED DRAWING DO NOT MANUALLY UPDATE. MODEL REFERENCED:01		DRAWN BY ABB	2016-01-27	
TOLERANCES ARE IN INCHES AND MILLIMETERS TOLERANCES UNLESS OTHERWISE STATED ARE:		CHECKED ABD	2016-01-28	
MILLIMETERS DECIMALS XX. ± 1.0mm XX.X ± 0.5mm	INCHES DECIMALS X.X ± 0.1 X.XX ± 0.04 X.XXX ± 0.02	ANGLES ± 0.5° FRACTIONS ± 1/64	MECH. ENG.	ALARM, SMART, 82-102DBA, 36-80VDC, GFN CUSTOMER PART NO. SA980 PRODUCT SERIES: SA980
			ELEC. ENG.	
			TEST ENG.	
			SALES.	
			SALES.	
NON DISCLOSURE AGREEMENT		THIRD ANGLE PROJECTION		SIZE: A
THIS DRAWING AND THE DESIGN IT DISCLOSES ARE THE PRIVATE PROPERTY OF ESG AND IS ISSUED IN CONFIDENCE FOR ENGINEERING INFORMATION ONLY. THE DRAWING AND / OR DESIGN MAY NOT BE USED, COPIED, REPRODUCED, OR OTHERWISE DISCLOSED IN PART OR AS A WHOLE TO OUTSIDERS OR USED FOR ANY OTHER PURPOSE WITHOUT THE PRIOR WRITTEN CONSENT OF ESG. THE DRAWING IS SUBJECT TO RECALL AT ANY TIME. YOUR POSSESSION OF THIS DOCUMENT CONSTITUTES ACCEPTANCE OF THESE TERMS. © 2016 ECCO				DWG. NO. SA980N
		Electronically Controlled Use Latest Copy		REV. A
		SHEET 1 OF 1 Project: P10023		Date Created: 2016-01-27