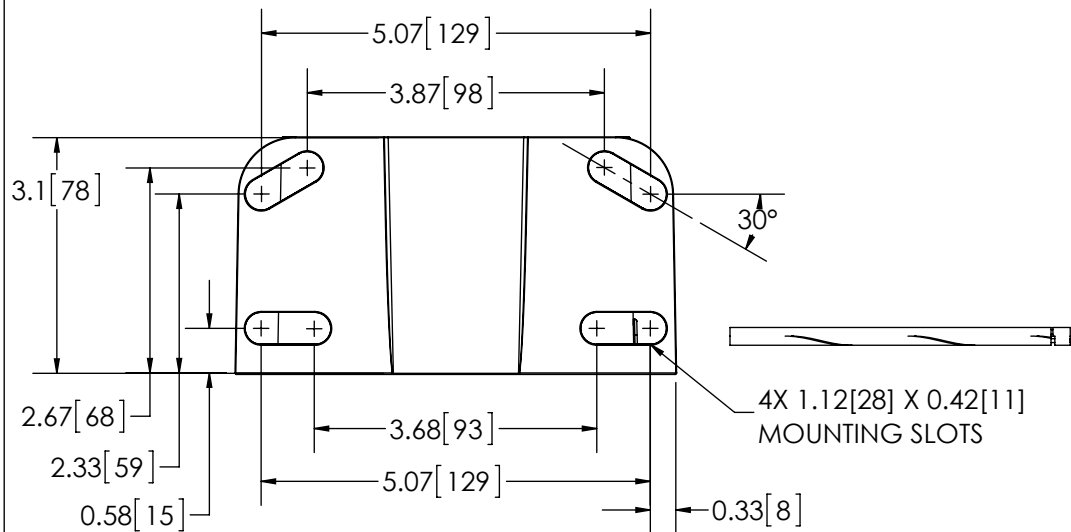
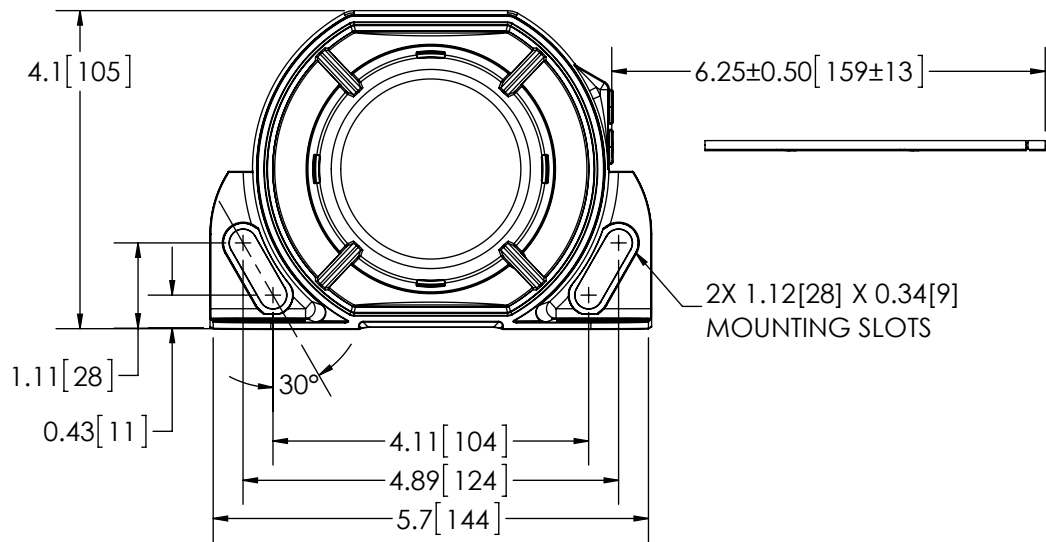



REVISION HISTORY		
REV.	DESCRIPTION	DATE
01	PRELIMINARY RELEASE PER P10023	2015-06-04
A	INITIAL RELEASE PER P10023	2015-07-10



## SPECIFICATIONS

- CERTIFICATIONS: **CE**; **UL**; ECE R10; IP64D  
Note: Unique components, accessories, and hardware kits are not typically included in the Product Certification Test Protocols. Unless otherwise Specified, the Product Certifications referred to herein are predicated upon the base product model configuration.
- SOUND PRESSURE LEVEL: 82 to 107 ± 4 dB (A) @ 1.2m (4ft)
- VOLTAGE (NOMINAL): 12 to 24 VDC
- VOLTAGE (EXTREME): 9.0 to 32.0 VDC
- CURRENT (PEAK): 0.5 A (@ 12 VDC NOMINAL)
- POWER (MAXIMUM): 12 W (@ 12 VDC NOMINAL)
- TEMPERATURE RANGE: -40°F (-40°C) TO 185°F (85°C)
- FREQUENCY: 960 to 1440 Hz
- CONNECTION: 2-16 AWG WIRES
- RECOMMENDED MOUNTING: 3/8-16 UNC (BOTTOM BRACKET), 5/16-18 UNC (BACK BRACKET), GRADE 5 OR BETTER, WITH 3/8" OR 5/16" TYPE A SERIES N WASHERS
- HOUSING MATERIAL: HOUSING 20 GA. STEEL, MOUNTING BRACKET 16 GA. STEEL
- PRODUCT WEIGHT: 2.0 LBS (0.9 Kg)

NOTES:  
1. DIMENSIONS IN INCHES [MILLIMETERS (FOR REFERENCE)]

SCALE 1:2.5		APPROVALS	DATE				
CAD GENERATED DRAWING DO NOT MANUALLY UPDATE. MODEL REFERENCED: A		DRAWN BY ABB	2015-06-04				
TOLERANCES ARE IN INCHES, AND MILLIMETERS TOLERANCES UNLESS OTHERWISE STATED ARE:		CHECKED MDH	2015-06-05				
MILLIMETERS DECIMALS XX. ± 1.0mm XX.X ± 0.5mm	INCHES DECIMALS X.X ± 0.1 X.XX ± 0.04 X.XXX ± 0.02	MECH. ENG. JLA	2015-06-04	<b>ALARM, SMART, 82-107DBA, 12-24VDC, GFN</b>			
	ANGLES ± 0.5° FRACTIONS ± 1/64	ELEC. ENG. JES	2015-06-08				
NON DISCLOSURE AGREEMENT		TEST ENG.		CUSTOMER PART NO. <b>SA907N</b>	PRODUCT SERIES: <b>SA907</b>		
THIS DRAWING AND THE DESIGN IT DISCLOSES ARE THE PRIVATE PROPERTY OF ESG AND IS ISSUED IN CONFIDENCE FOR ENGINEERING INFORMATION ONLY. THE DRAWING AND / OR DESIGN MAY NOT BE USED, COPIED, REPRODUCED, OR OTHERWISE DISCLOSED IN PART OR AS A WHOLE TO OUTSIDERS OR USED FOR ANY OTHER PURPOSE WITHOUT THE PRIOR WRITTEN CONSENT OF ESG. THE DRAWING IS SUBJECT TO RECALL AT ANY TIME. YOUR POSSESSION OF THIS DOCUMENT CONSTITUTES ACCEPTANCE OF THESE TERMS. © 2015 ECCO		THIRD ANGLE PROJECTION	SALES. JPT	2015-06-05	SIZE: A	DWG. NO. SA907N	REV. A
		Electronically Controlled Use Latest Copy		SHEET 1 OF 1	Project: P10023	Date Created: 2015-06-04	