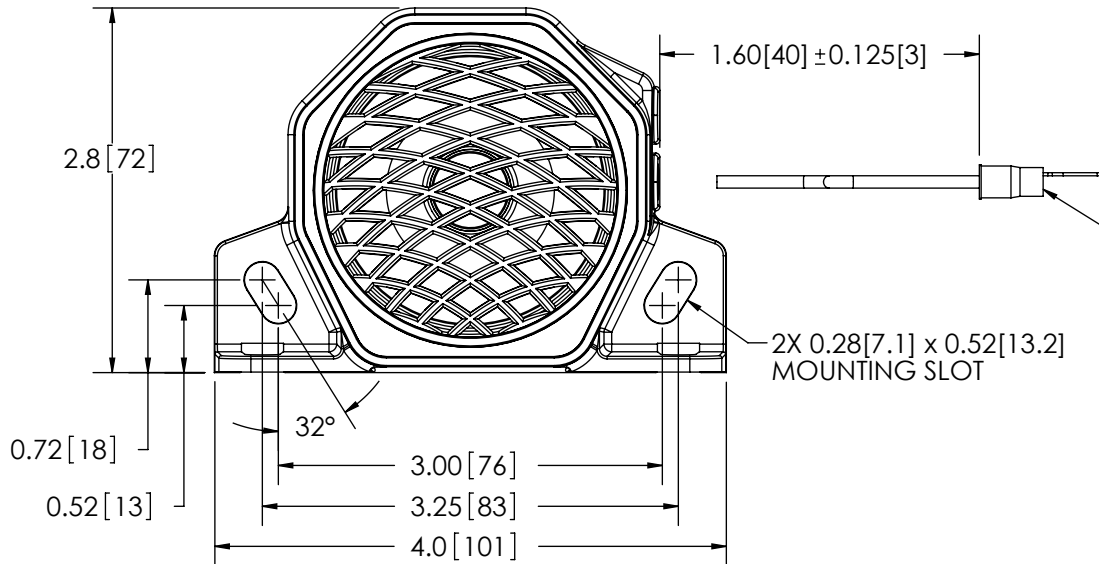


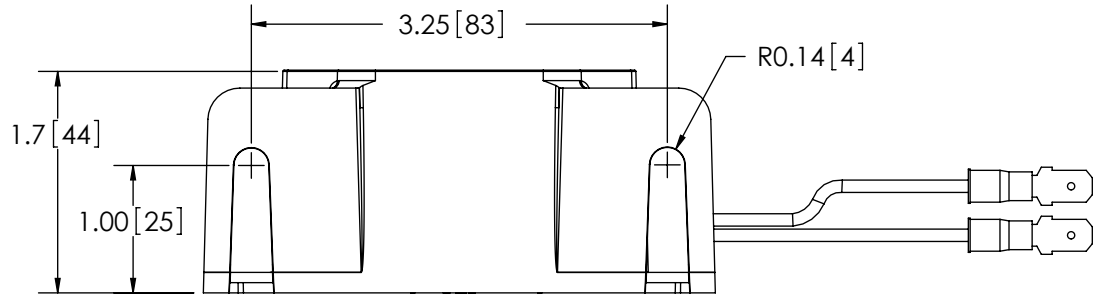
REVISION HISTORY		
REV.	DESCRIPTION	DATE
C	RESTORED ELECTRONIC FILE PER CR# 1138	2002-07-23
D	CHANGED HOUSING PER P3 #03001/CR# 1973	2005-09-29
E	REVISE PER P12006	2014-04-01



2-16 AWG WIRES  
 RED: POSITIVE (+) (1/4" MALE SPADE TERMINAL)  
 BLACK: NEGATIVE (-) (1/4" MALE SPADE TERMINAL)

### SPECIFICATIONS

- CERTIFICATIONS: **CE**; **UL**; ECE R10;  
 Note: Unique components, accessories, and hardware kits are not typically included in the Product Certification Test Protocols. Unless otherwise Specified, the Product Certifications referred to herein are predicated upon the base product model configuration.
- SOUND PRESSURE LEVEL: 107 ± 4 dB (A) @ 1.2m (4ft)
- VOLTAGE (NOMINAL): 24 to 48 VDC
- VOLTAGE (EXTREME): 19.6 to 55.0 VDC
- CURRENT (PEAK): 1.15 A (@ 24 VDC NOMINAL)
- POWER (MAXIMUM): 32.2 W (@ 24 VDC NOMINAL)
- TEMPERATURE RANGE: -40°F (-40°C) TO 165°F (74°C)
- FREQUENCY: 880 to 1320 Hz
- CONNECTION: 2-16 AWG WIRES W/TERMINALS
- RECOMMENDED MOUNTING: 1/4 - 20 UNC, GRADE 5 OR BETTER, 1/4" TYPE A, SERIES N OR W WASHER
- HOUSING MATERIAL: GLASS-FILLED NYLON
- PRODUCT WEIGHT: 1.1 LBS (0.5 Kg)



NOTES:  
 1. ROHS COMPLIANT  
 2. DIMENSIONS IN INCHES [MILLIMETERS (FOR REFERENCE)]

SCALE 1:1.5		APPROVALS	DATE
CAD GENERATED DRAWING DO NOT MANUALLY UPDATE. MODEL REFERENCED:D		DRAWN BY: SNS	2014-01-02
		CHECKED: BND	2014-01-06
TOLERANCES ARE IN INCHES, AND MILLIMETERS TOLERANCES ARE:		MECH. ENG.: JLA	2014-01-02
		ELEC. ENG.: GCJ	2014-01-03
MILLIMETERS DECIMALS XX. ± 1.0mm XX.X ± 0.5mm		INCHES DECIMALS X.X ± 0.1 X.XX ± 0.04 X.XXX ± 0.02	TEST ENG.: JRT
			SALES: WNH
		ANGLES ± 0.5°	2014-01-02
		FRACTIONS ± 1/64	

**ECCO**<sup>®</sup>  
**ALARM, FORWARD HORN, 107DBA, 24-48V LOW FRQ**

CUSTOMER PART NO. **FH577** PRODUCT SERIES: **FH577**

SIZE: **A** DWG. NO. **FH577** REV. **E**

Project: 98098 Date Created: 1999-09-13

Electronically Controlled Use Latest Copy SHEET 1 OF 1

NON DISCLOSURE AGREEMENT  
 THIS DRAWING AND THE DESIGN IT DISCLOSES ARE THE PRIVATE PROPERTY OF ECCO AND IS ISSUED IN CONFIDENCE FOR ENGINEERING INFORMATION ONLY. THE DRAWING AND / OR DESIGN MAY NOT BE USED, COPIED, REPRODUCED, OR OTHERWISE DISCLOSED IN PART OR AS A WHOLE TO OUTSIDERS OR USED FOR ANY OTHER PURPOSE WITHOUT THE PRIOR WRITTEN CONSENT OF ECCO. THE DRAWING IS SUBJECT TO RECALL AT ANY TIME. YOUR POSSESSION OF THIS DOCUMENT CONSTITUTES ACCEPTANCE OF THESE TERMS. © 2002 ECCO

