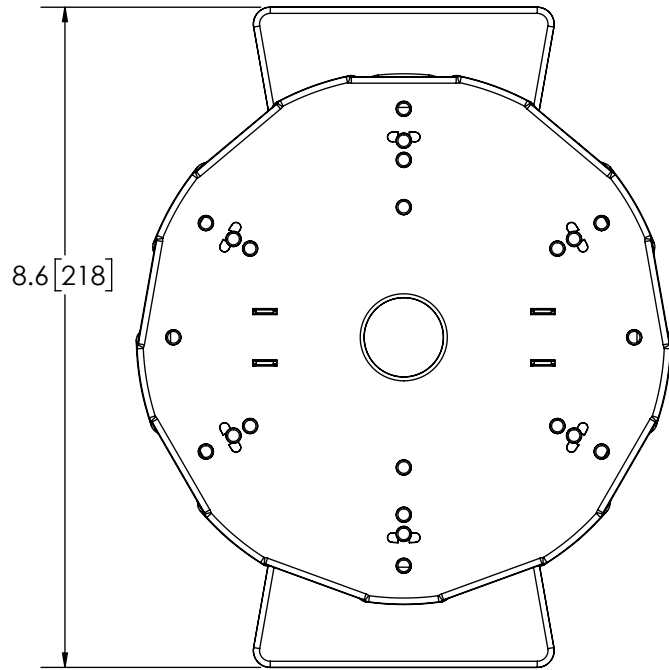
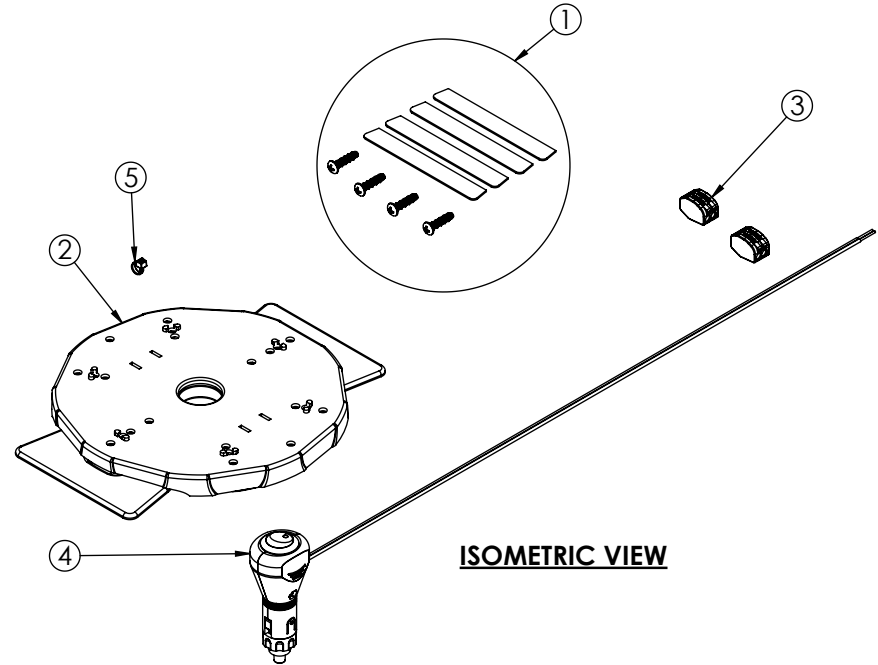


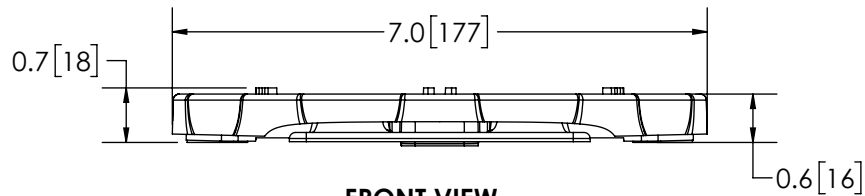
REVISION HISTORY		
REV.	DESCRIPTION	DATE
03	REVISED PER EP0020	2017-05-23
04	REVISED PER EP0020	2017-06-12
A	INITIAL RELEASE PER EP0020	2017-06-16



TOP VIEW



ISOMETRIC VIEW



FRONT VIEW

ITEM NO.	QTY.	DESCRIPTION	COMMENTS
1	1	ASSY.HDW,HBT	
2	1	ASSY.SEMIPERMOUNT,VHB,2TAB	
3	2	CON,SPLICE,2POS,12-28 AWG W/LEVERS	
4	1	ASSY.CABLE,2COND,15',PLUG W/LED SWITCH	
5	1	TYRAP, 4",6/6 NYLON	
6	1	BOX,WHITE,9 x 8 x 2	NOT SHOWN
7	1	LABEL,WARNING,VACUUM MOUNT	NOT SHOWN
8	1	SHEET,INSTRUCTION,SEMIPERMOUNT	NOT SHOWN

NOTES:

1. MATERIAL: POLYCARBONATE BASE
2. BLACK
3. WEIGHT: 0.8 LBS
4. MOUNTING: USE SUPPLIED VHB HARDWARE KIT
5. ROHS COMPLIANT
6. DIMENSIONS IN INCHES [MILLIMETERS (FOR REFERENCE)]

SCALE 1:2.5		APPROVALS	DATE
CAD GENERATED DRAWING DO NOT MANUALLY UPDATE. MODEL REFERENCED: A		DR Annie Braithwaite	2017-06-12
TOLERANCES ARE IN INCHES, AND MILLIMETERS TOLERANCES UNLESS OTHERWISE STATED ARE:		CHECKED MDH	
MILLIMETERS DECIMALS XX. ± 1.0mm XX.X ± 0.5mm		MECH. ENG. NMT	
INCHES DECIMALS X.X ± 0.1 X.XX ± 0.04 X.XXX ± 0.02		ELEC. ENG.	
ANGLES ± 0.5°		TEST ENG. JRT	
FRACTIONS ± 1/64		SALES. ARS	
THIRD ANGLE PROJECTION			



ASSY HBT MNT KIT, 6465 SERIES

CUSTOMER PART NO. **EZ6465HBTk** PRODUCT SERIES:

SIZE: **A** DWG. NO. **EZ6465HBTk** REV. **A**

Electronically Controlled Use Latest Copy SHEET 1 OF 1 Project: EP0020 Date Created: 2017-04-24

THIS DRAWING AND THE DESIGN IT DISCLOSES ARE THE PRIVATE PROPERTY OF ELECTRONIC CONTROLS CO. AND IS ISSUED IN CONFIDENCE FOR ENGINEERING INFORMATION ONLY. THE DRAWING AND / OR DESIGN MAY NOT BE USED, COPIED, REPRODUCED, OR OTHERWISE DISCLOSED IN PART OR AS A WHOLE TO OUTSIDERS OR USED FOR ANY OTHER PURPOSE WITHOUT THE PRIOR WRITTEN CONSENT OF ELECTRONIC CONTROLS CO. THE DRAWING IS SUBJECT TO RECALL AT ANY TIME. YOUR POSSESSION OF THIS DOCUMENT CONSTITUTES ACCEPTANCE OF THESE TERMS. © 2017 ELECTRONIC CONTROLS CO.