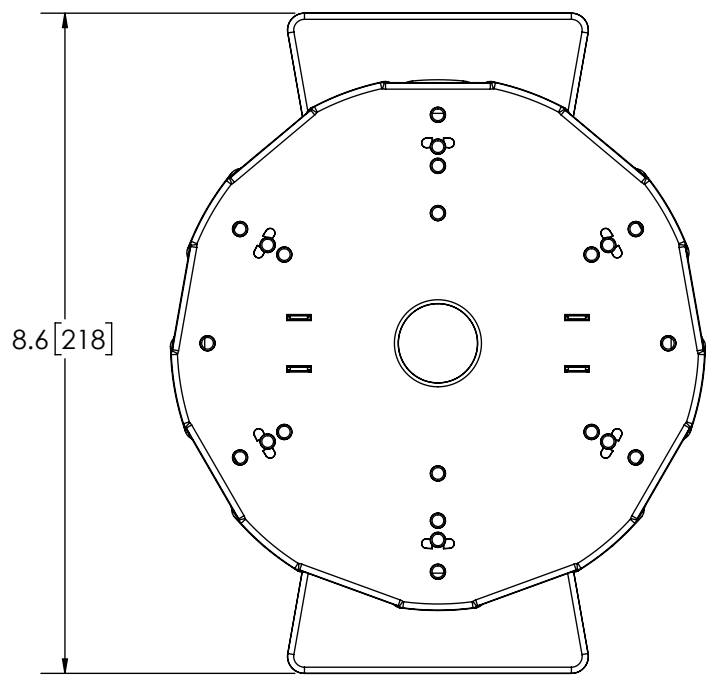
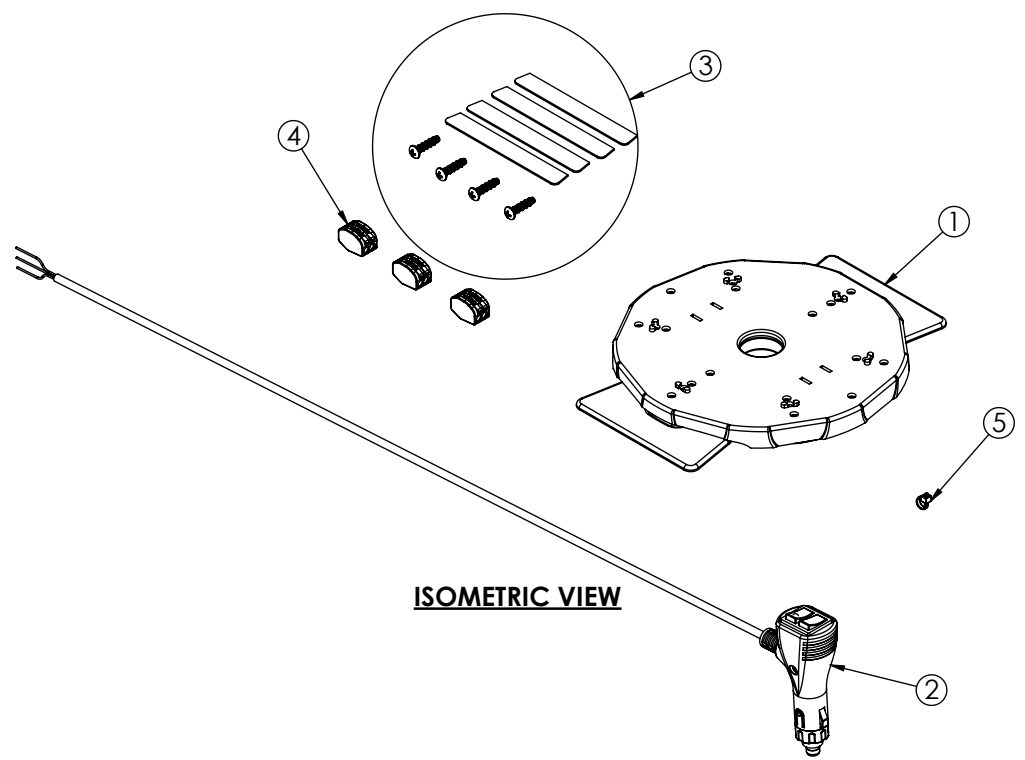


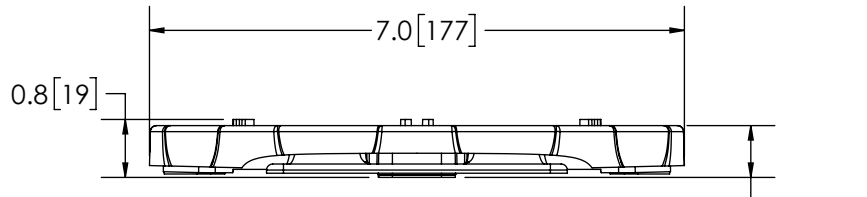
REVISION HISTORY		
REV.	DESCRIPTION	DATE
03	REVISED PER EP0020	2017-05-05
04	REVISED PER EP0020	2017-06-16
A	INITIAL RELEASE PER EP0020	2017-06-20



**TOP VIEW**



**ISOMETRIC VIEW**



**FRONT VIEW**

ITEM NO.	QTY.	DESCRIPTION	COMMENTS
1	1	ASSY, SEMIPERMOUNT, VHB, 2TAB	
2	1	ASSY, CABLE, 3 COND, POWER, 15'	
3	1	ASSY, HDW, HBT	
4	3	CON, SPLICE, 2POS, 12-28 AWG W/LEVERS	
5	1	TYRAP, 4", 6/6 NYLON	
6	1	BOX, WHITE, 9 x 8 x 2	NOT SHOWN
7	1	LABEL, WARNING, VACUUM MOUNT	NOT SHOWN
8	1	SHEET, INSTRUCTION, SEMIPERMOUNT	NOT SHOWN

- NOTES:**
1. MATERIAL: POLYCARBONATE BASE
  2. BLACK
  3. WEIGHT: 0.8 LBS
  4. MOUNTING: USE SUPPLIED VHB HARDWARE KIT
  5. DIMENSIONS IN INCHES [MILLIMETERS (FOR REFERENCE)]

SCALE 1:2.5		APPROVALS	DATE
CAD GENERATED DRAWING DO NOT MANUALLY UPDATE. MODEL REFERENCED: 01		DR: Annie Braithwaite	2017-06-16
TOLERANCES ARE IN INCHES AND MILLIMETERS TOLERANCES UNLESS OTHERWISE STATED ARE:		CHECKED: ABB	
MILLIMETERS DECIMALS XX. ± 1.0mm XX.X ± 0.5mm	INCHES DECIMALS X.X ± 0.1 X.XX ± 0.04 X.XXX ± 0.02	MECH. ENG. NMT	
	ANGLES ± 0.5° FRACTIONS ± 1/64	ELEC. ENG.	
		TEST ENG. JRT	
		SALES. ARS	
THIRD ANGLE PROJECTION			



**ASSY HBT MNT KIT, 6500, 6900, 7900 SERIES**

CUSTOMER PART NO. <b>EZ6000HBTk</b>		PRODUCT SERIES:
SIZE: <b>A</b>	DWG. NO. <b>EZ6000HBTk</b>	REV. <b>A</b>
SHEET 1 OF 1		Date Created: 2017-04-24

Electronically Controlled Use Latest Copy

THIS DRAWING AND THE DESIGN IT DISCLOSES ARE THE PRIVATE PROPERTY OF ELECTRONIC CONTROLS CO. AND IS ISSUED IN CONFIDENCE FOR ENGINEERING INFORMATION ONLY. THE DRAWING AND / OR DESIGN MAY NOT BE USED, COPIED, REPRODUCED, OR OTHERWISE DISCLOSED IN PART OR AS A WHOLE TO OUTSIDERS OR USED FOR ANY OTHER PURPOSE WITHOUT THE PRIOR WRITTEN CONSENT OF ELECTRONIC CONTROLS CO. THE DRAWING IS SUBJECT TO RECALL AT ANY TIME. YOUR POSSESSION OF THIS DOCUMENT CONSTITUTES ACCEPTANCE OF THESE TERMS. © 2017 ELECTRONIC CONTROLS CO.