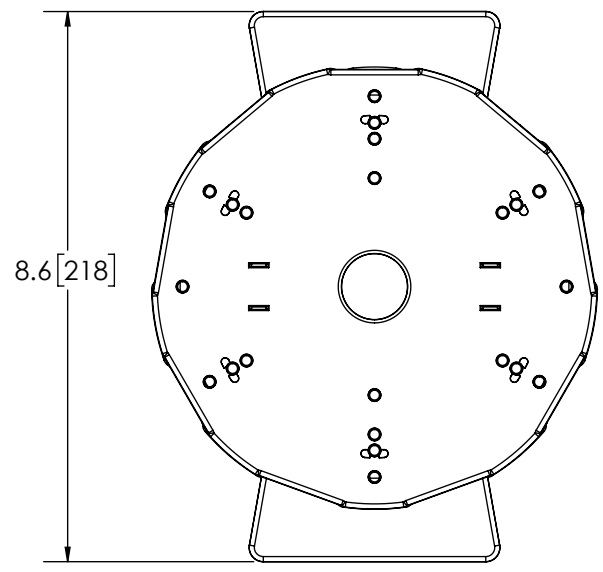
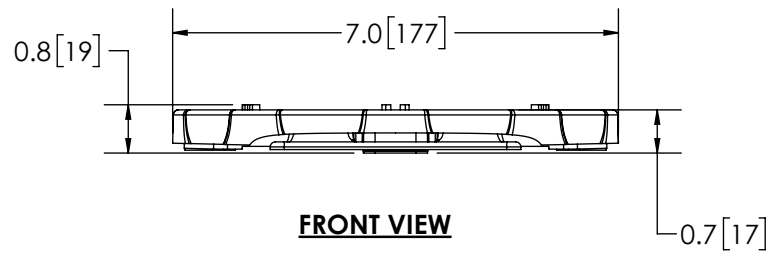


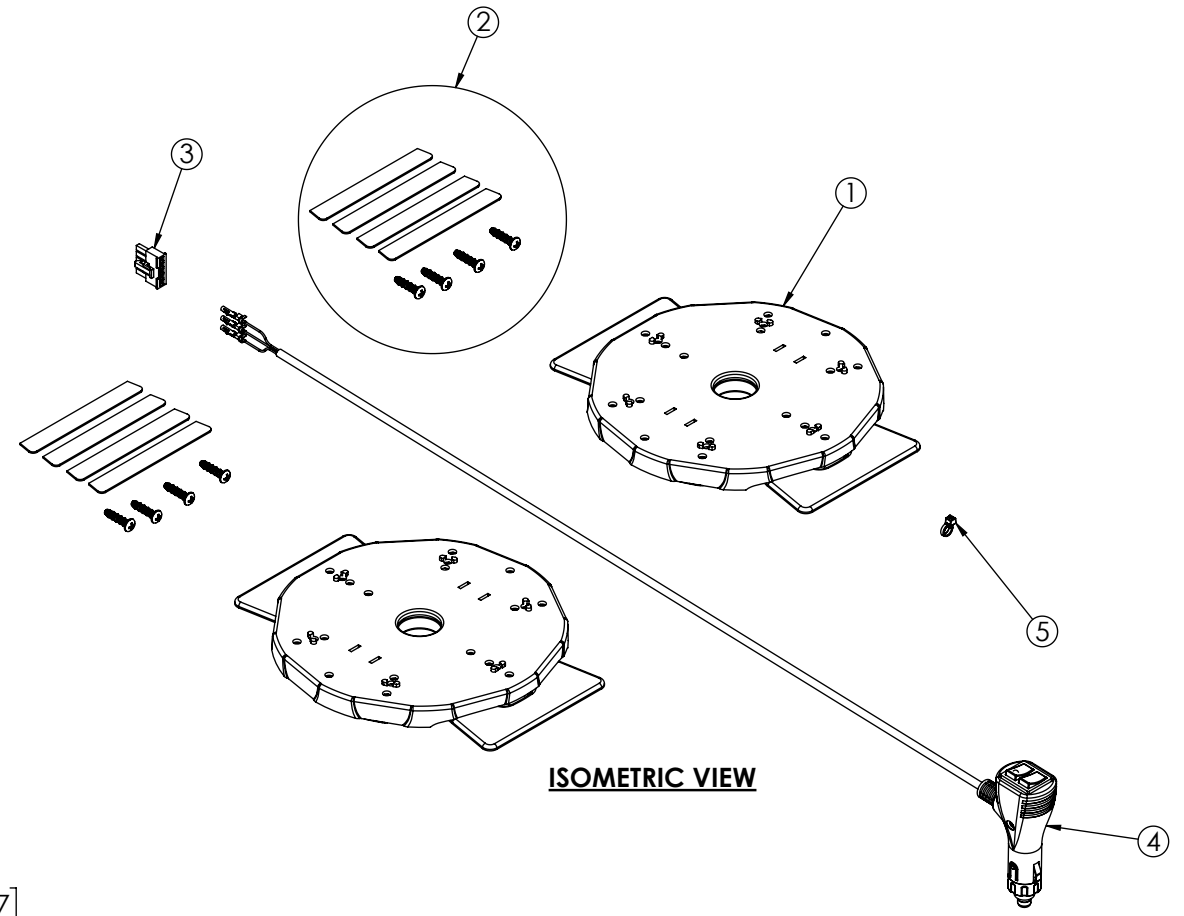
REVISION HISTORY		
REV.	DESCRIPTION	DATE
05	REVISED PER EP0020	2017-06-16
A	INITIAL RELEASE PER EP0020	2017-06-20
B	REVISE PER EP0020	2017-11-29



TOP VIEW



FRONT VIEW



ISOMETRIC VIEW

ITEM NO.	QTY.	DESCRIPTION	COMMENTS
1	2	ASSY, SEMIPERMOUNT, VHB, 2TAB	
2	2	ASSY, HDW, HBT	
3	1	CON, HO, MOLEX, 39-01-4051, 5P	
4	1	ASSY, SUB, 2SWITCH, CABLE, 5585XX-VM	
5	1	TYRAP, 4", 6/6 NYLON	
6	1	BOX, WHITE, 9 x 8 x 2	NOT SHOWN
7	1	SHEET, INSTRUCTION, SEMIPERMOUNT	NOT SHOWN

- NOTES:**
1. MATERIAL: POLYCARBONATE BASE
 2. COLOR: BLACK
 3. WEIGHT: 1.3 LBS
 4. MOUNTING: USE SUPPLIED VHB HARDWARE KIT
 5. ROHS COMPLIANT
 6. DIMENSIONS IN INCHES [MILLIMETERS (FOR REFERENCE)]

SCALE 1:3		APPROVALS	DATE
CAD GENERATED DRAWING DO NOT MANUALLY UPDATE. MODEL REFERENCED: A		DRAWN BY: ABB	2017-11-21
		CHECKED: ABD	2017-11-22
TOLERANCES ARE IN INCHES, AND MILLIMETERS TOLERANCES UNLESS OTHERWISE STATED ARE:		MECH. ENG. NMT	2017-11-21
MILLIMETERS DECIMALS XX. ± 1.0mm XX.X ± 0.5mm	INCHES DECIMALS X.X ± 0.1 X.XX ± 0.04 X.XXX ± 0.02	ANGLES ± 0.5°	
		FRACTIONS ± 1/64	
THIRD ANGLE PROJECTION		ELEC. ENG.	
		TEST ENG. JRT	2017-11-29
		SALES. ARS	2017-11-21

ASSY HBT MNT KIT, 5500 SERIES

CUSTOMER PART NO. EZ5500HBTk		PRODUCT SERIES:	
SIZE: A	DWG. NO. EZ5500HBTk	REV. B	
SHEET 1 OF 1		Project: EP0020	Date Created: 2017-04-24

Electronically Controlled Use Latest Copy

THIS DRAWING AND THE DESIGN IT DISCLOSES ARE THE PRIVATE PROPERTY OF ELECTRONIC CONTROLS CO. AND IS ISSUED IN CONFIDENCE FOR ENGINEERING INFORMATION ONLY. THE DRAWING AND / OR DESIGN MAY NOT BE USED, COPIED, REPRODUCED, OR OTHERWISE DISCLOSED IN PART OR AS A WHOLE TO OUTSIDERS OR USED FOR ANY OTHER PURPOSE WITHOUT THE PRIOR WRITTEN CONSENT OF ELECTRONIC CONTROLS CO. THE DRAWING IS SUBJECT TO RECALL AT ANY TIME. YOUR POSSESSION OF THIS DOCUMENT CONSTITUTES ACCEPTANCE OF THESE TERMS. © 2017 ELECTRONIC CONTROLS CO.