



# Installation and Operation Instructions LED WORKLIGHTS

**IMPORTANT!** Read all instructions before installing and using. Installer: This manual must be delivered to the end user.



## WARNING!

Failure to install or use this product according to manufacturer's recommendations may result in property damage, serious bodily/personal injury, and/or death to you and those you are seeking to protect!



**Do not install and/or operate this safety product unless you have read and understand the safety information contained in this manual.**

1. Proper installation combined with operator training in the use, care, and maintenance of emergency safety devices are essential to ensure the safety of you and those you are trying to protect.
2. Exercise caution when working with live electrical connections.
3. This product must be properly grounded. Inadequate grounding and/or shorting of electrical connections can cause high current arcing, which can cause personal injury and/or severe vehicle damage, including fire.
4. Proper placement and installation are vital to the performance of this safety device. Install this product so that output performance of the system is maximized and the controls are placed within convenient reach of the operator so that s/he can operate the system without losing eye contact with the roadway.
5. Do not install this product or route any wires in the deployment area of an air bag. Equipment mounted or located in an air bag deployment area may reduce the effectiveness of the air bag or become a projectile that could cause serious personal injury or death. Refer to the vehicle owner's manual for the air bag deployment area. It is the responsibility of the user/operator to determine a suitable mounting location ensuring the safety of all passengers inside the vehicle particularly avoiding areas of potential head impact.
6. It is the responsibility of the vehicle operator to ensure during use that all features of this product work correctly. In use, the vehicle operator should ensure the projection of the warning signal is not blocked by vehicle components (i.e., open trunks or compartment doors), people, vehicles, or other obstructions.
7. The use of this or any other safety device does not ensure all drivers can or will observe or react to a warning signal. Never take the right-of-way for granted. It is your responsibility to be sure you can proceed safely before entering an intersection, driving against traffic, responding at a high rate of speed, walking on or around traffic lanes.
8. This equipment is intended for use by authorized personnel only. The user is responsible for understanding and obeying all laws regarding warning signal devices. Therefore, the user should check all applicable city, state, and federal laws and regulations. The manufacturer assumes no liability for any loss resulting from the use of this safety device.

**NOTE:** Black die cast Aluminum housing gets very hot to the touch after operating constantly for several hours.

## Specifications:

Go to [ECCOESG.com](http://ECCOESG.com) for product specifications.

## Wiring Instructions:

Black Wire: Ground  
Red Wire: Connect to fused power

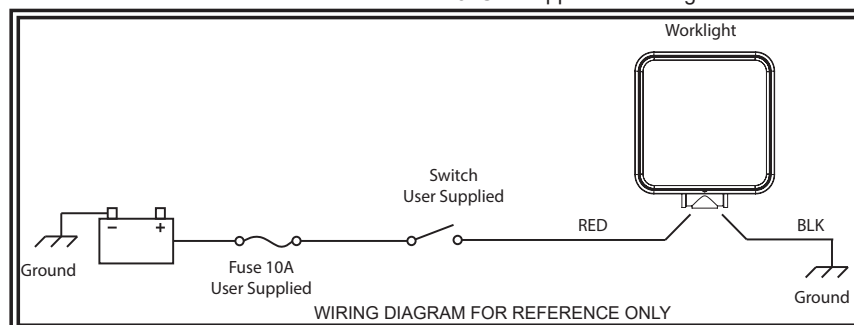
See wiring diagram for further instruction

## Bracket Installation:

1. Select a mounting location for the unit on a flat surface. Drill a hole in mounting surface to match diameter of included bracket. Place the unit and the flat washer over the hole with the included bolt through the washer and clearance hole and secure with a lock washer and lock nut on the bottom side.
2. Adjust beam location of the unit in the horizontal direction and tighten the lock nut with a wrench.
3. Adjust the beam location of the unit in the vertical direction and tighten the lock nut with a wrench.

## SURFACE MOUNT INSTALLATION:

1. Select a mounting location for the unit on a flat surface. Drill a hole in mounting surface, use the product as template.
2. If the product comes with a gasket, place it behind the unit.
3. Use supplied mounting hardware to mount the product.



Learn more about off-road lights we have.