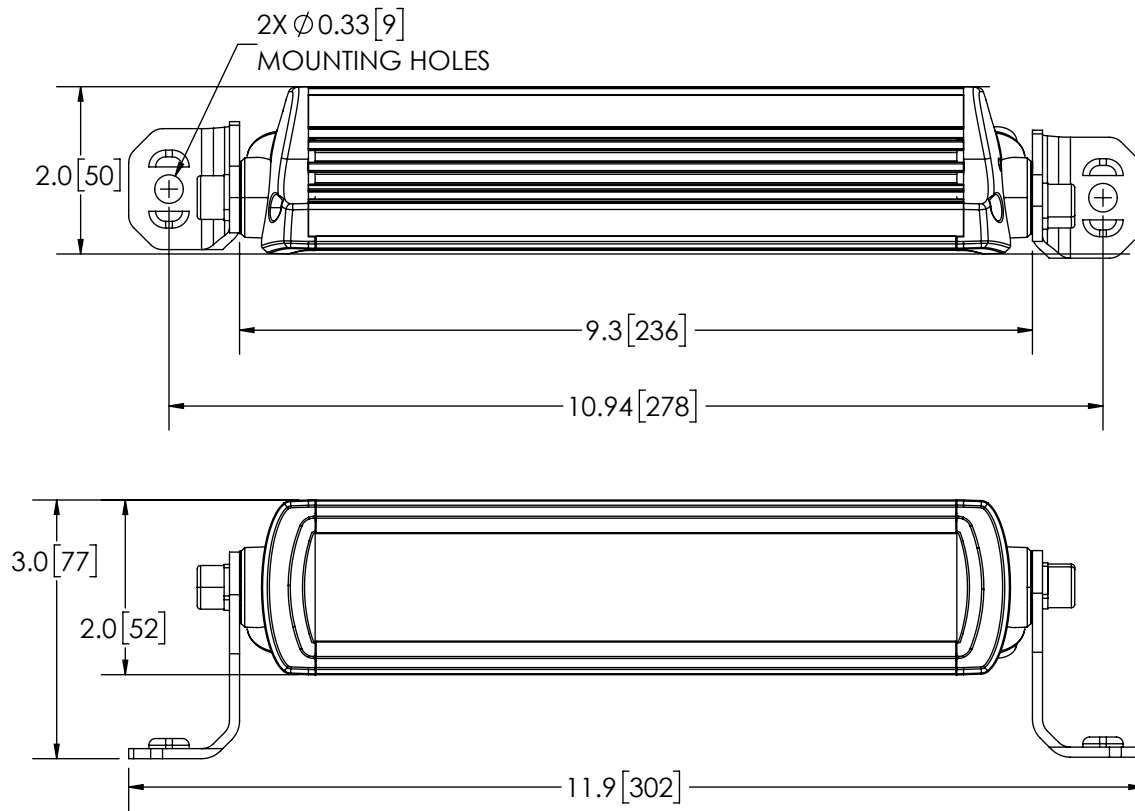


REVISION HISTORY		
REV.	DESCRIPTION	DATE
03	REVISED PER ELO145	2019-08-16
A	INITIAL RELEASE PER ELO145	2019-08-19
B	REVISED PER ELO145	2019-12-18



SPECIFICATIONS

- CERTIFICATIONS: **CE**; IP67, IP69K
Note: Unique components, accessories, and hardware kits are not typically included in the Product Certification Test Protocols. Unless otherwise Specified, the Product Certifications referred to herein are predicated upon the base product model configuration.
- RAW LUMENS: 857 lumens
- EFFECTIVE LUMENS: 836 lumens
- ILLUMINANCE (@100 FT): 2 lux
- PEAK BEAM INTENSITY: 1812 candela
- VOLTAGE (NOMINAL): 12-24 VDC
- VOLTAGE (EXTREME): 10-30 VDC
- CURRENT (PEAK): 0.76A (@ 12 VDC NOMINAL)
- POWER (MAXIMUM): 9.7W (@ 12 VDC NOMINAL)
- TEMPERATURE RANGE: -40°F (-40°C) TO 149°F (65°C)
- CONNECTION: 2 - 16 AWG WIRES
- MOUNTING: BRACKET
- HOUSING MATERIAL: ALUMINUM, BLACK COATING
- LENS MATERIAL: POLYCARBONATE
- PRODUCT WEIGHT: 1.46 LBS (0.66 Kg)

MOUNTING DISCLAIMER

MOUNTING MEASUREMENT IS FOR REFERENCE ONLY. MEASURE BEFORE DRILLING.

DISCLAIMER

DIMENSIONS, ILLUSTRATIONS, SPECIFICATIONS, AND CERTIFICATIONS CONTAINED IN THIS DOCUMENT ARE TYPICAL OF THE ACTUAL PRODUCT AND ARE SUBJECT TO CHANGE. ECCO ENGINEERING DOES NOT MAINTAIN FORMAL DESIGN CONTROL OF THIS PRODUCT.

NOTES:

- CABLE NOT SHOWN FOR CLARITY
- CABLE DIMENSION WITH DEUTSCH CONNECTOR IS 31.50 ± 1.00 [800 ± 25] FROM THE WIRE EXIT TO THE END OF THE MATING CABLE
- ROHS COMPLIANT
- DIMENSIONS IN INCHES [MILLIMETERS (FOR REFERENCE)]

PROPRIETARY AND CONFIDENTIAL INFORMATION
THIS DRAWING AND THE DESIGN AND OTHER INFORMATION DISCLOSED HEREIN ARE THE PROPERTY OF ELECTRONIC CONTROLS COMPANY AND/OR ITS ECCO SAFETY GROUP AFFILIATES ("ECCO") AND IS ISSUED IN CONFIDENCE TO RECIPIENT FOR ENGINEERING INFORMATION PURPOSES ONLY. THIS DRAWING AND THE DESIGN AND OTHER INFORMATION DISCLOSED HEREIN MAY NOT BE USED, COPIED, REPRODUCED OR OTHERWISE DISCLOSED IN PART OR IN WHOLE TO THIRD PARTIES OR USED FOR ANY OTHER PURPOSE WITHOUT PRIOR ECCO WRITTEN CONSENT. ECCO RESERVES ALL PATENT, COPYRIGHT, TRADEMARK AND OTHER PROPRIETARY RIGHTS TO THIS DOCUMENT, INCLUDING ALL DESIGN, MANUFACTURING, REPRODUCTION, USE AND SALES RIGHTS THEREOF. THIS DRAWING IS SUBJECT TO RECALL BY ECCO AT ANY TIME, AND YOUR POSSESSION AND/OR USE CONSTITUTES ACCEPTANCE OF THESE TERMS. ©2019 ELECTRONIC CONTROLS COMPANY

SCALE 1:2.25		APPROVALS	DATE
CAD GENERATED DRAWING DO NOT MANUALLY UPDATE. MODEL REFERENCED: 01		DRAWN BY: ABD	2019-11-22
		CHECKED: ABB	2019-11-25
TOLERANCES ARE IN INCHES, AND MILLIMETERS TOLERANCES UNLESS OTHERWISE STATED ARE:		MECH. ENG.	
MILLIMETERS DECIMALS XX ± 1.0mm XX.X ± 0.5mm	INCHES DECIMALS X.X ± 0.1 X.XX ± 0.04 X.XXX ± 0.02	ELEC. ENG. SPO	2019-11-22
THIRD ANGLE PROJECTION 		TEST ENG. RM	2019-12-05
		SALES. ARS	2019-11-22
ELECTRONICALLY CONTROLLED USE LATEST COPY		SHEET 1 OF 1	

		UTILITY BAR, LED, 9", SINGLE FLOOD, 12-24	
CUSTOMER PART NO. EW3109		PRODUCT SERIES: EW3000	
SIZE: A	DWG. NO. EW3109	REV. B	
Project: ELO145		Date Created: 2019-04-02	