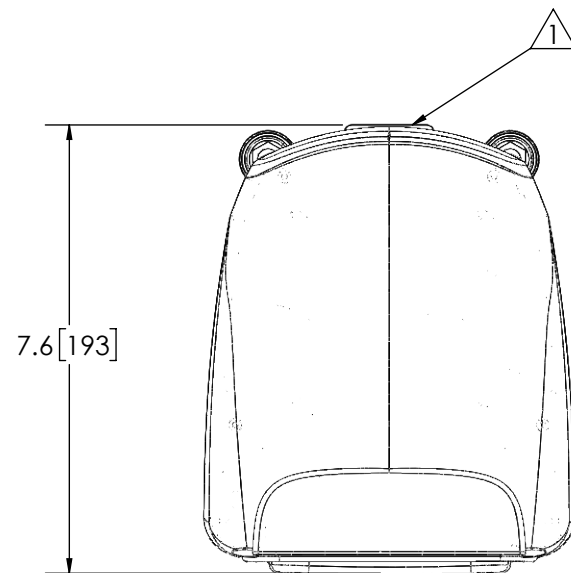
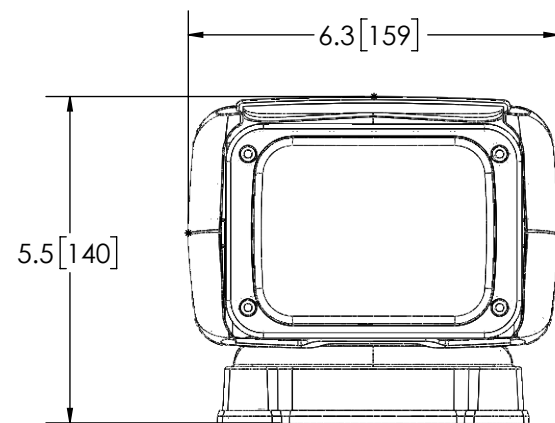


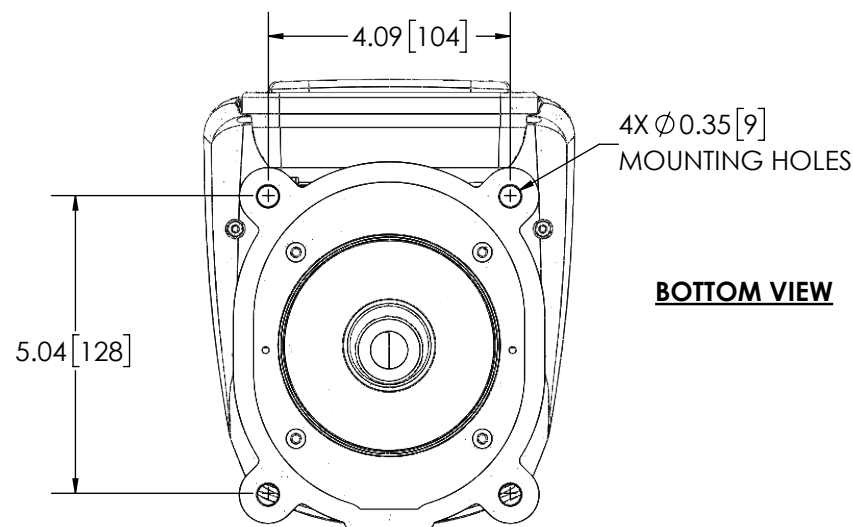
REVISION HISTORY	
REV.	DESCRIPTION
03	REVISED PER EL0057
A	INITIAL RELEASE PER EL0057
B	REVISE PER EL0057



TOP VIEW



FRONT VIEW



BOTTOM VIEW

SPECIFICATIONS

1. CERTIFICATIONS:

Note: Unique components, accessories, and hardware kits are not typically included in the Product Certification Test Protocols. Unless otherwise Specified, the Product Certifications referred to herein are predicated upon the base product model configuration.

2. RAW LUMENS: 1645 lumens
3. EFFECTIVE LUMENS: 1507 lumens
4. ILLUMINANCE: 92.3 lux
5. PEAK BEAM INTENSITY: 86035 Candela
6. EFFICACY: 64.2 lm/W
7. CORRELATED COLOR TEMPERATURE: 5541K
8. VOLTAGE (NOMINAL): 12-24 VDC
9. VOLTAGE (EXTREME): 9-32 VDC
10. CURRENT (PEAK): 1.7A (@ 12 VDC NOMINAL)
11. POWER (MAXIMUM): 23.2W (@ 12 VDC NOMINAL)
12. TEMPERATURE RANGE: -22°F (-30°C) TO 122°F (50°C)
13. CONNECTION:
14. MOUNTING: 4 BOLT
15. HOUSING MATERIAL: ALUMINUM
16. LENS MATERIAL: POLYCARBONATE
17. PRODUCT WEIGHT: 3.48 LBS (1.57 Kg)

MOUNTING DISCLAIMER
MOUNTING MEASUREMENT IS FOR REFERENCE ONLY.
MEASURE BEFORE DRILLING.

DISCLAIMER
DIMENSIONS, ILLUSTRATIONS, SPECIFICATIONS AND CERTIFICATIONS CONTAINED IN THIS DOCUMENT ARE TYPICAL OF THE ACTUAL PRODUCT AND ARE SUBJECT TO CHANGE.
ECCO ENGINEERING DOES NOT MAINTAIN FORMAL DESIGN CONTROL OF THIS PRODUCT.

COLOR CHART	
FGS P/N	HOUSING COLOR
EW3000	BLACK
EW3001	WHITE

NOTES:

1. WIRES NOT SHOWN FOR CLARITY
2-18 AWG WIRES W/ BULLET TERMINALS
RED - POSITIVE (+), BLACK - NEGATIVE (-)
WIRE DIMENSION IS 8.00±0.50[203±13] FROM WIRE EXIT TO BACK OF TERMINALS
2. DIMENSIONS IN INCHES[MILLIMETERS (FOR REFERENCE)]

NON DISCLOSURE AGREEMENT
THIS DRAWING AND THE DESIGN IT DISCLOSES ARE THE PRIVATE PROPERTY OF ELECTRONIC CONTROLS CO. AND IS ISSUED IN CONFIDENCE FOR ENGINEERING INFORMATION ONLY. THE DRAWING AND / OR DESIGN MAY NOT BE USED, COPIED, REPRODUCED, OR OTHERWISE DISCLOSED IN PART OR AS A WHOLE TO OUTSIDERS OR USED FOR ANY OTHER PURPOSE WITHOUT THE PRIOR WRITTEN CONSENT OF ELECTRONIC CONTROLS CO. THE DRAWING IS SUBJECT TO RECALL AT ANY TIME. YOUR POSSESSION OF THIS DOCUMENT CONSTITUTES ACCEPTANCE OF THESE TERMS. © 2017 ELECTRONIC CONTROLS CO.

SCALE 1:3.25		APPROVALS							
CAD GENERATED DRAWING DO NOT MANUALLY UPDATE. MODEL REFERENCED: A		DRAWN BY							
TOLERANCES ARE IN INCHES, AND MILLIMETERS TOLERANCES UNLESS OTHERWISE STATED ARE:		CHECKED	ABB						
<table border="1"> <tr> <th>MILLIMETERS DECIMALS</th> <th>INCHES DECIMALS</th> <th>ANGLES</th> </tr> <tr> <td>XX ± 1.0mm XX.X ± 0.5mm</td> <td>X.X ± 0.1 X.XX ± 0.04 X.XXX ± 0.02</td> <td>± 0.5° FRACTIONS ± 1/64</td> </tr> </table>		MILLIMETERS DECIMALS	INCHES DECIMALS		ANGLES	XX ± 1.0mm XX.X ± 0.5mm	X.X ± 0.1 X.XX ± 0.04 X.XXX ± 0.02	± 0.5° FRACTIONS ± 1/64	MECH. ENG.
MILLIMETERS DECIMALS	INCHES DECIMALS	ANGLES							
XX ± 1.0mm XX.X ± 0.5mm	X.X ± 0.1 X.XX ± 0.04 X.XXX ± 0.02	± 0.5° FRACTIONS ± 1/64							
THIRD ANGLE PROJECTION		ELEC. ENG.							
		TEST ENG.							
Electronically Controlled Use Latest Copy		SALES	JPT						
SHEET 1 OF 1		WIRELESS SPTLIGHT, 6LED PERM, 12-24V CUSTOMER PART NO. SEE CHART PRODUCT SERIES:							
SIZE: B	DWG. NO. EW300X	REV. B							
Project: EL0057	Date Created:								