



ECHO®

Installation and Operation Instructions LED WORKLAMPS

IMPORTANT! Read all instructions before installing and using. Installer: This manual must be delivered to the end user.

WARNING!

Failure to install or use this product according to manufacturer's recommendations may result in property damage, serious bodily/personal injury, and/or death to you and those you are seeking to protect!



Do not install and/or operate this safety product unless you have read and understand the safety information contained in this manual.

1. Proper installation combined with operator training in the installation, use, care and maintenance of vehicle equipment accessories is essential to ensure the safety of you and those you are trying to protect.
2. Exercise caution when working with live electrical connections.
3. This product must be properly grounded. Inadequate grounding and/or shorting of electrical connections can cause high current arcing, which can cause personal injury and/or severe vehicle damage, including fire.
4. Proper placement and installation are vital to the performance of this worklamp. Install this product so that output performance of the system is maximized and the controls are placed within convenient reach of the operator so that s/he can operate the system without losing eye contact with the work area.
5. It is the responsibility of the vehicle operator to ensure during use that all features of this product work correctly. In use, the vehicle operator should ensure the projection of the beam is not blocked by vehicle components (i.e., open trunks or compartment doors), people, vehicles, or other obstructions.
6. The manufacturer assumes no liability for any loss resulting from the use of this device.

NOTE: Black die cast Aluminum housing gets very hot to the touch after operating constantly for several hours.

Specifications:

Specifications available upon request.

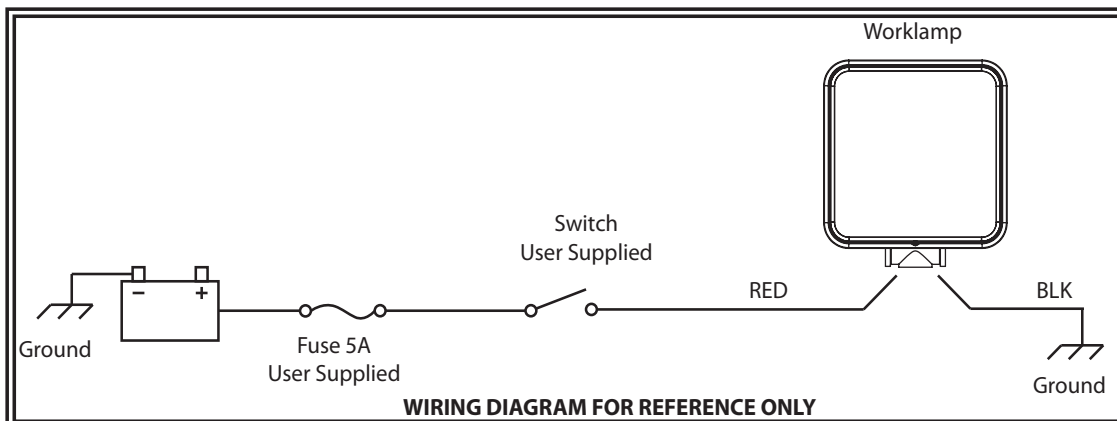
Wiring Instructions:

Black Wire: Ground
Red Wire: Connect to fused power

See wiring diagram for further instruction

Installation:

1. Select a mounting location for the unit on a flat surface. Drill a hole in mounting surface to match diameter of included bracket. Place the unit and the flat washer over the hole with the included bolt through the washer and clearance hole and secure with a lock washer and lock nut on the bottom side.
2. Adjust beam location of the unit in the horizontal direction and tighten the lock nut with a wrench.
3. Adjust the beam location of the unit in the vertical direction and tighten the lock nut with a wrench.



On our website you can discover more about off-road lights.