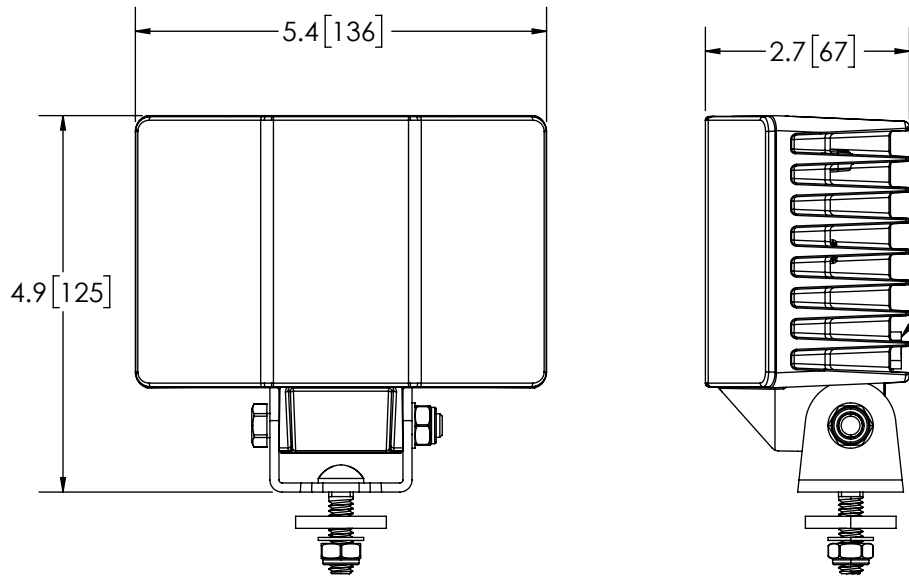


REVISION HISTORY		
REV.	DESCRIPTION	DATE
03	REVISED PER ELO170	2019-08-27
A	INITIAL RELEASE PER ELO170	2019-09-10
B	REVISED PER ELO170	2019-11-18



BUILT-IN CONNECTOR
HOUSING: DEUTSCH P/N DT04-2P
TERMINALS: DEUTSCH P/N 1060-16-0122
WEDGE LOCK: DEUTSCH PN W2P
PIN 1: POSITIVE (+)
PIN 2: NEGATIVE (-)

SPECIFICATIONS

- CERTIFICATIONS: ECE R10; ; IP67; CISPR25
Note: Unique components, accessories, and hardware kits are not typically included in the Product Certification Test Protocols. Unless otherwise Specified, the Product Certifications referred to herein are predicated upon the base product model configuration.
- RAW LUMENS: 3742 lumens
- EFFECTIVE LUMENS: 3074 lumens
- ILLUMINANCE (@100 FT): 6.1 lux
- PEAK BEAM INTENSITY: 5619 candela
- VOLTAGE (NOMINAL): 12-24 VDC
- VOLTAGE (EXTREME): 10-30 VDC
- CURRENT (PEAK): 3.64A (@ 12 VDC NOMINAL)
- POWER (MAXIMUM): 46.6W (@ 12 VDC NOMINAL)
- TEMPERATURE RANGE: -40°F (-40°C) TO 149°F (65°C)
- CONNECTION: DEUTSCH CONNECTOR
- MOUNTING: BRACKET MOUNT
- HOUSING MATERIAL: ALUMINUM
- LENS MATERIAL: POLYCARBONATE
- PRODUCT WEIGHT: 1.9 LBS (0.86 Kg)

DISCLAIMER

DIMENSIONS, ILLUSTRATIONS, SPECIFICATIONS, AND CERTIFICATIONS CONTAINED IN THIS DOCUMENT ARE TYPICAL OF THE ACTUAL PRODUCT AND ARE SUBJECT TO CHANGE. ECCO ENGINEERING DOES NOT MAINTAIN FORMAL DESIGN CONTROL OF THIS PRODUCT.

- NOTES:**
- ROHS COMPLIANT
 - DIMENSIONS IN INCHES[MILLIMETERS (FOR REFERENCE)]

PROPRIETARY AND CONFIDENTIAL INFORMATION

THIS DRAWING AND THE DESIGN AND OTHER INFORMATION DISCLOSED HEREIN ARE THE PROPERTY OF ELECTRONIC CONTROLS COMPANY AND/OR ITS ECCO SAFETY GROUP AFFILIATES ("ECCO") AND IS ISSUED IN CONFIDENCE TO RECIPIENT FOR ENGINEERING INFORMATION PURPOSES ONLY. THIS DRAWING AND THE DESIGN AND OTHER INFORMATION DISCLOSED HEREIN MAY NOT BE USED, COPIED, REPRODUCED OR OTHERWISE DISCLOSED IN PART OR IN WHOLE TO THIRD PARTIES OR USED FOR ANY OTHER PURPOSE WITHOUT PRIOR ECCO WRITTEN CONSENT. ECCO RESERVES ALL PATENT, COPYRIGHT, TRADEMARK AND OTHER PROPRIETARY RIGHTS TO THIS DOCUMENT, INCLUDING ALL DESIGN, MANUFACTURING, REPRODUCTION, USE AND SALES RIGHTS THEREOF. THIS DRAWING IS SUBJECT TO RECALL BY ECCO AT ANY TIME, AND YOUR POSSESSION AND/OR USE CONSTITUTES ACCEPTANCE OF THESE TERMS. ©2019 ELECTRONIC CONTROLS COMPANY

SCALE 1:2.5		APPROVALS	DATE			
CAD GENERATED DRAWING DO NOT MANUALLY UPDATE. MODEL REFERENCED: 01		DRAWN BY ABD	2019-11-12			
TOLERANCES ARE IN INCHES, AND MILLIMETERS TOLERANCES UNLESS OTHERWISE STATED ARE:		CHECKED ABB	2019-11-13			
MILLIMETERS DECIMALS XX ± 1.0mm XX.X ± 0.5mm		MECH. ENG.				
INCHES DECIMALS X.X ± 0.1 X.XX ± 0.04 X.XXX ± 0.02		ELEC. ENG. TM	2019-11-12	WORKLAMP, 6 LED, SQUARE, 120* FLOOD, 12-24V		
ANGLES ± 0.5° FRACTIONS ± 1/64		TEST ENG. RM	2019-11-14		CUSTOMER PART NO. EW2530	
THIRD ANGLE PROJECTION		SALES. ARS	2019-11-13		PRODUCT SERIES: EW2500	
				SIZE: A	DWG. NO. EW2530	REV. B
Electronically Controlled Use Latest Copy		SHEET 1 OF 1	Project: ELO170	Date Created: 2019-07-29		