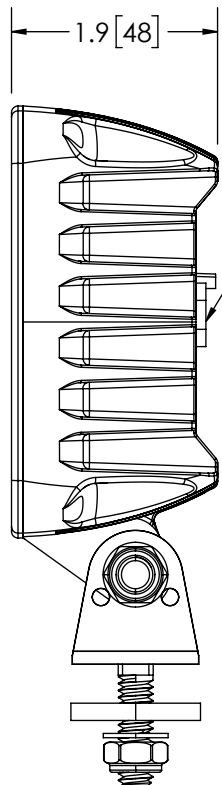
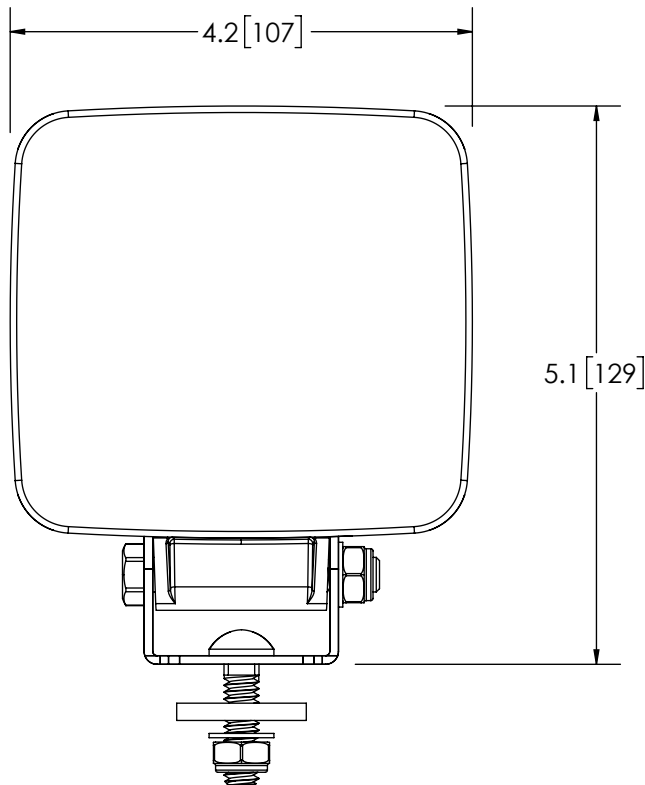


REVISION HISTORY		
REV.	DESCRIPTION	DATE
03	REVISED PER ELO170	2019-09-10
A	INITIAL RELEASE PER ELO170	2019-09-10
B	REVISED PER ELO170	2019-11-18



BUILT-IN CONNECTOR
HOUSING: DEUTSCH P/N DT04-2P
TERMINALS: DEUTSCH P/N 1060-16-0122
WEDGE LOCK: DEUTSCH P/N W2P
PIN 1: POSITIVE(+)
PIN 2: NEGATIVE(-)

SPECIFICATIONS

- CERTIFICATIONS: ECE R10; ; IP67/IP69K; CISPR 25
Note: Unique components, accessories, and hardware kits are not typically included in the Product Certification Test Protocols. Unless otherwise Specified, the Product Certifications referred to herein are predicated upon the base product model configuration.
- RAW LUMENS: 3120 lumens
- EFFECTIVE LUMENS: 2740 lumens
- ILLUMINANCE (@100 FT): 7 lux
- PEAK BEAM INTENSITY: 6350 candela
- VOLTAGE (NOMINAL): 12-24 VDC
- VOLTAGE (EXTREME): 9-32 VDC
- CURRENT (PEAK): 2.1A (@ 12 VDC NOMINAL)
- POWER (MAXIMUM): 26.9W (@ 12 VDC NOMINAL)
- TEMPERATURE RANGE: -40°F (-40°C) TO 149°F (65°C)
- CONNECTION: DEUTSCH CONNECTOR
- MOUNTING: BRACKET MOUNT
- HOUSING MATERIAL: ALUMINUM
- LENS MATERIAL: POLYCARBONATE
- PRODUCT WEIGHT: 1.1 LBS (0.5 Kg)

DISCLAIMER

DIMENSIONS, ILLUSTRATIONS, SPECIFICATIONS, AND CERTIFICATIONS CONTAINED IN THIS DOCUMENT ARE TYPICAL OF THE ACTUAL PRODUCT AND ARE SUBJECT TO CHANGE. ECCO ENGINEERING DOES NOT MAINTAIN FORMAL DESIGN CONTROL OF THIS PRODUCT.

- NOTES:**
- ROHS COMPLIANT
 - DIMENSIONS IN INCHES[MILLIMETERS (FOR REFERENCE)]

SCALE 1:1.75		APPROVALS	DATE
CAD GENERATED DRAWING DO NOT MANUALLY UPDATE. MODEL REFERENCED:		DRAWN BY: ABD	2019-11-11
		CHECKED: ABB	2019-11-12
TOLERANCES ARE IN INCHES, AND MILLIMETERS TOLERANCES UNLESS OTHERWISE STATED ARE:		MECH. ENG.	
MILLIMETERS DECIMALS	INCHES DECIMALS	ANGLES	
XX ± 1.0mm	X.X ± 0.1	± 0.5°	
XX.X ± 0.5mm	X.XX ± 0.04	FRACTIONS	
	X.XXX ± 0.02	± 1/64	
THIRD ANGLE PROJECTION			



WORKLAMP, 24 LED, SQUARE, FLOOD, 12-24V

CUSTOMER PART NO. EW2520		PRODUCT SERIES: EW2500	
SIZE: A	DWG. NO. EW2520	REV. B	
Electronically Controlled Use Latest Copy		SHEET 1 OF 1	Project: ELO170 Date Created: 2019-08-27

PROPRIETARY AND CONFIDENTIAL INFORMATION
THIS DRAWING AND THE DESIGN AND OTHER INFORMATION DISCLOSED HEREIN ARE THE PROPERTY OF ELECTRONIC CONTROLS COMPANY AND/OR ITS ECCO SAFETY GROUP AFFILIATES ("ECCO") AND IS ISSUED IN CONFIDENCE TO RECIPIENT FOR ENGINEERING INFORMATION PURPOSES ONLY. THIS DRAWING AND THE DESIGN AND OTHER INFORMATION DISCLOSED HEREIN MAY NOT BE USED, COPIED, REPRODUCED OR OTHERWISE DISCLOSED IN PART OR IN WHOLE TO THIRD PARTIES OR USED FOR ANY OTHER PURPOSE WITHOUT PRIOR ECCO WRITTEN CONSENT. ECCO RESERVES ALL PATENT, COPYRIGHT, TRADEMARK AND OTHER PROPRIETARY RIGHTS TO THIS DOCUMENT, INCLUDING ALL DESIGN, MANUFACTURING, REPRODUCTION, USE AND SALES RIGHTS THEREOF. THIS DRAWING IS SUBJECT TO RECALL BY ECCO AT ANY TIME, AND YOUR POSSESSION AND/OR USE CONSTITUTES ACCEPTANCE OF THESE TERMS. ©2019 ELECTRONIC CONTROLS COMPANY