



WORKLAMPS

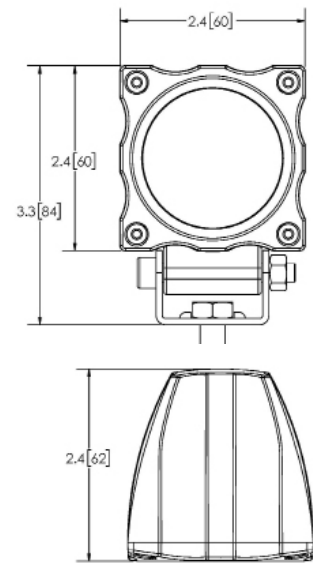


EW2402 SERIES LEDs

EW2400 Series worklamps offer not only the choice of spot or flood illumination, but they also offer the latest technology and the very brightest white light for your application. These LED worklamps provide over 80,000 hours of maintenance free life expectancy coupled with low amp draw. High intensity light output, IP67 intrusion protection, and CE rating makes this LED worklamp the ideal choice for a wide variety of applications. Features 12-24 VDC operation.

Models

PART NO.	VOLTAGE	AMPS	RAW LUMENS	TYPE
EW2402	12-24	0.6	500	Spot
EW2403	12-24	0.6	500	Flood



Features and Benefits

- Three 3-watt LEDs
- Surface or bracket mount
- Aluminum heatsink housing
- Polycarbonate lens

Beam Pattern

