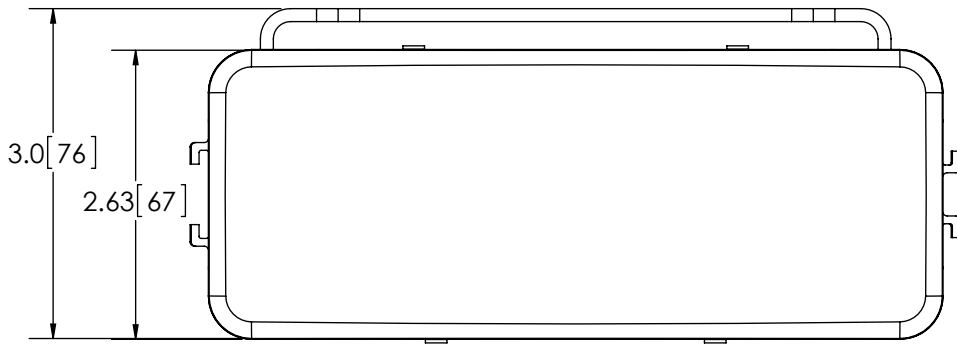
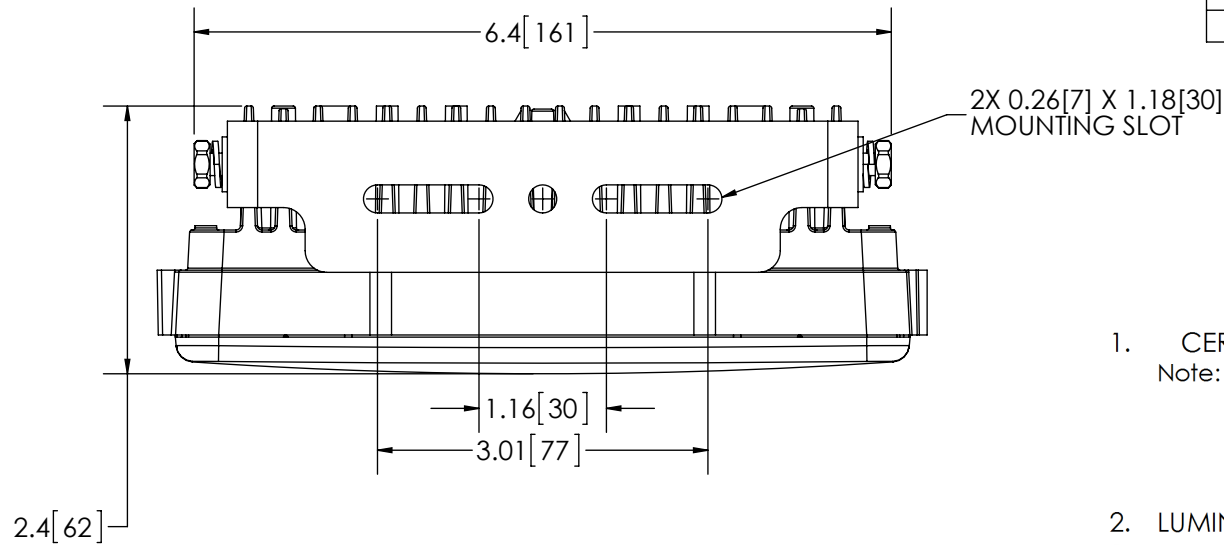


REVISION HISTORY		
REV.	DESCRIPTION	DATE
01	PRELIMINARY RELEASE PER LM13214	2013-10-28
A	INITIAL RELEASE PER LM13214	2013-12-12



## SPECIFICATIONS

- CERTIFICATIONS: IP67  
Note: Unique components, accessories, and hardware kits are not typically included in the Product Certification Test Protocols. Unless otherwise Specified, the Product Certifications referred to herein are predicated upon the base product model configuration.
- LUMINOUS FLUX: 2100 lumens
- ILLUMINANCE: lux
- PEAK BEAM INTENSITY: Candela
- EFFICACY: 68.9 lm/W
- CORRELATED COLOR TEMPERATURE: K
- VOLTAGE (NOMINAL): 12 to 24 VDC
- VOLTAGE (EXTREME): 9.0 to 32 VDC
- CURRENT (PEAK): 2.2A (@ 12 VDC NOMINAL)
- POWER (MAXIMUM): 30.5W (@ 12 VDC NOMINAL)
- TEMPERATURE RANGE: -22°F (-30°C) TO 122°F (50°C)
- CONNECTION: 2 CONDUCTOR CABLE
- MOUNTING: BRACKET
- HOUSING MATERIAL: ALUMINUM
- LENS MATERIAL: POLYCARBONATE
- PRODUCT WEIGHT: 1.3 LBS (0.59 Kg)

NOTES:  
1. DIMENSIONS IN INCHES[MILLIMETERS (FOR REFERENCE)]

SCALE 1:1.75		APPROVALS	DATE	ECCO®
CAD GENERATED DRAWING DO NOT MANUALLY UPDATE. MODEL REFERENCED:A		DRAWN BY SNS	2013-10-28	
TOLERANCES ARE IN INCHES, AND MILLIMETERS TOLERANCES ARE:		CHECKED BND	2013-10-29	
MILLIMETERS DECIMALS XX ± 1.0mm XX.X ± 0.5mm	INCHES DECIMALS X.X ± 0.1 X.XX ± 0.04 X.XXX ± 0.02	MECH. ENG. JLA	2013-10-28	LED WORKLAMP, 7" RECT, SYTM, MOD, SPOT, 12-24
	ANGLES ± 0.5° FRACTIONS ± 1/64	ELEC. ENG. GCJ	2013-10-28	
		TEST ENG. JRT	2013-10-31	
		SALES. WNH	2013-10-28	
NON DISCLOSURE AGREEMENT		THIRD ANGLE PROJECTION		CUSTOMER PART NO. EW2320
THIS DRAWING AND THE DESIGN IT DISCLOSES ARE THE PRIVATE PROPERTY OF ECCO AND IS ISSUED IN CONFIDENCE FOR ENGINEERING INFORMATION ONLY. THE DRAWING AND / OR DESIGN MAY NOT BE USED, COPIED, REPRODUCED, OR OTHERWISE DISCLOSED IN PART OR AS A WHOLE TO OUTSIDERS OR USED FOR ANY OTHER PURPOSE WITHOUT THE PRIOR WRITTEN CONSENT OF ECCO. THE DRAWING IS SUBJECT TO RECALL AT ANY TIME. YOUR POSSESSION OF THIS DOCUMENT CONSTITUTES ACCEPTANCE OF THESE TERMS. © 2013 ECCO				PRODUCT SERIES: EW2320
		SIZE: A	DWG. NO. EW2320	REV. A
		Electronically Controlled Use Latest Copy SHEET 1 OF 1 Project: LM13214		Date Created: 2013-10-28