

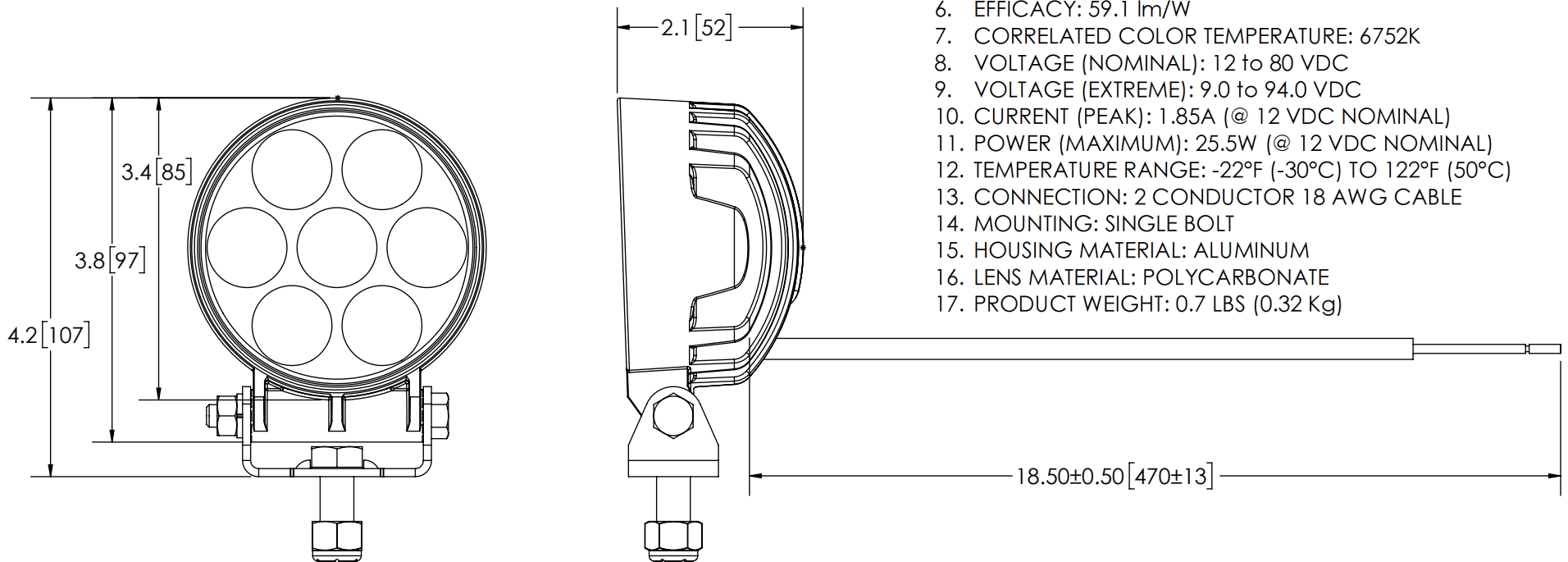
REVISION HISTORY	
REV.	DESCRIPTION
02	REVISED PER P14020
A	INITIAL RELEASE PER P14020
B	REVISE PER P14020

SPECIFICATIONS

- CERTIFICATIONS: **CE**; **UL**; ECE R10; RCM
IP6K6D/ | P6K7D

Note: Unique components, accessories, and hardware kits are not typically included in the Product Certification Test Protocols. Unless otherwise Specified, the Product Certifications referred to herein are predicated upon the base product model configuration.

- RAW LUMENS: 1002 lumens
- EFFECTIVE LUMENS: 914 lumens
- ILLUMINANCE: 10.5 lux
- PEAK BEAM INTENSITY: 9784 Candela
- EFFICACY: 59.1 lm/W
- CORRELATED COLOR TEMPERATURE: 6752K
- VOLTAGE (NOMINAL): 12 to 80 VDC
- VOLTAGE (EXTREME): 9.0 to 94.0 VDC
- CURRENT (PEAK): 1.85A (@ 12 VDC NOMINAL)
- POWER (MAXIMUM): 25.5W (@ 12 VDC NOMINAL)
- TEMPERATURE RANGE: -22°F (-30°C) TO 122°F (50°C)
- CONNECTION: 2 CONDUCTOR 18 AWG CABLE
- MOUNTING: SINGLE BOLT
- HOUSING MATERIAL: ALUMINUM
- LENS MATERIAL: POLYCARBONATE
- PRODUCT WEIGHT: 0.7 LBS (0.32 Kg)



- NOTES:
- ROHS COMPLIANT
 - DIMENSIONS IN INCHES[MILLIMETERS (FOR REFERENCE)]

SCALE 1:1.75		APPROVALS		
CAD GENERATED DRAWING DO NOT MANUALLY UPDATE. MODEL REFERENCED: A		DRAWN BY		
TOLERANCES ARE IN INCHES, AND MILLIMETERS TOLERANCES UNLESS OTHERWISE STATED ARE:		CHECKED	ABB	
MILLIMETERS DECIMALS	INCHES DECIMALS	MECH. ENG.		
XX. ± 1.0mm XX.X ± 0.5mm	X.X ± 0.1 X.XX ± 0.04 X.XXX ± 0.02	ELEC. ENG.		
		TEST ENG.		JRT
		SALES		
THIRD ANGLE PROJECTION		Electronically Controlled Use Latest Copy		
		WORKLAMP, 7LED, 3" ROUND, FLOOD, 12-80VDC		
		CUSTOMER PART NO. EW2110		PRODUCT SERIES:
		SIZE: A	DWG. NO. EW2110	REV. B
		SHEET 1 OF 1 Project: P14020		

NON DISCLOSURE AGREEMENT
THIS DRAWING AND THE DESIGN IT DISCLOSES ARE THE PRIVATE PROPERTY OF ELECTRONIC CONTROLS CO. AND IS ISSUED IN CONFIDENCE FOR ENGINEERING INFORMATION ONLY. THE DRAWING AND / OR DESIGN MAY NOT BE USED, COPIED, REPRODUCED, OR OTHERWISE DISCLOSED IN PART OR AS A WHOLE TO OUTSIDERS OR USED FOR ANY OTHER PURPOSE WITHOUT THE PRIOR WRITTEN CONSENT OF ELECTRONIC CONTROLS CO. THE DRAWING IS SUBJECT TO RECALL AT ANY TIME. YOUR POSSESSION OF THIS DOCUMENT CONSTITUTES ACCEPTANCE OF THESE TERMS. © 2016 ELECTRONIC CONTROLS CO.