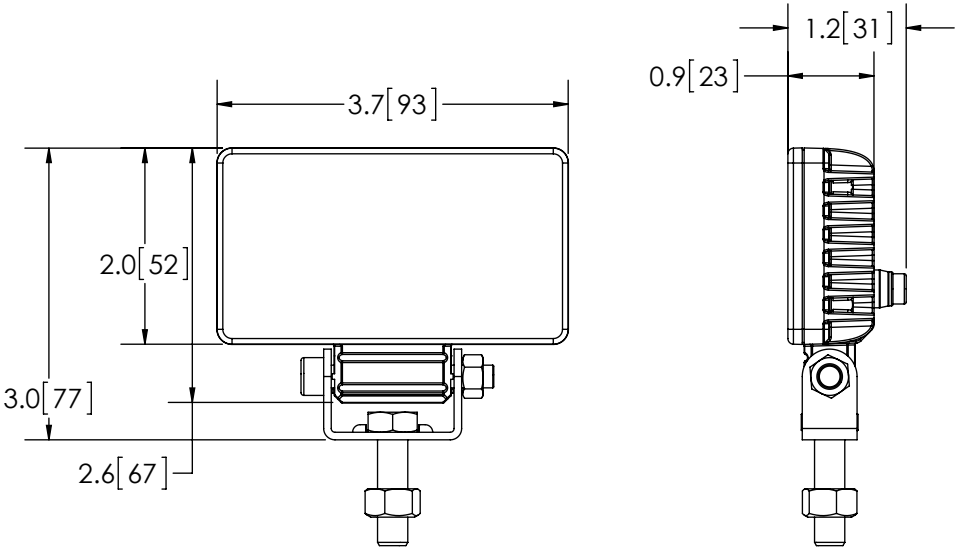


REVISION HISTORY		
REV.	DESCRIPTION	DATE
A	INITIAL RELEASE PER LM14265	2015-11-06
B	REVISE PER LM14265	2016-01-20
C	REVISE PER LM14265	2016-02-16

SPECIFICATIONS

1. CERTIFICATIONS: **CE**; IP67
 Note: Unique components, accessories, and hardware kits are not typically included in the Product Certification Test Protocols. Unless otherwise Specified, the Product Certifications referred to herein are predicated upon the base product model configuration.
2. RAW LUMENS: 580 lumens
3. EFFECTIVE LUMENS: 560 lumens
4. ILLUMINANCE: 0.23 lux
5. PEAK BEAM INTENSITY: 210 Candela
6. EFFICACY: 110 lm/W
7. CORRELATED COLOR TEMPERATURE: 5883K
8. VOLTAGE (NOMINAL): 12 to 24 VDC
9. VOLTAGE (EXTREME): 10 to 30 VDC
10. CURRENT (PEAK): 0.43A (@ 12 VDC NOMINAL)
11. POWER (MAXIMUM): 5.2W (@ 12 VDC NOMINAL)
12. TEMPERATURE RANGE: -22°F (-30°C) TO 122°F (50°C)
13. CONNECTION: 2 CONDUCTOR CABLE
14. MOUNTING: SINGLE BOLT
15. HOUSING MATERIAL: ALUMINUM
16. LENS MATERIAL: POLYCARBONATE
17. PRODUCT WEIGHT: 0.5 LBS (0.23 Kg)



DISCLAIMER
 DIMENSIONS, ILLUSTRATIONS, SPECIFICATIONS, AND CERTIFICATIONS CONTAINED IN THIS DOCUMENT ARE TYPICAL OF THE ACTUAL PRODUCT AND ARE SUBJECT TO CHANGE. ECCO ENGINEERING DOES NOT MAINTAIN FORMAL DESIGN CONTROL OF THIS PRODUCT

- NOTES:**
1. ROHS COMPLIANT
 2. DIMENSIONS IN INCHES[MILLIMETERS (FOR REFERENCE)]

SCALE 1:2	APPROVALS	DATE													
CAD GENERATED DRAWING DO NOT MANUALLY UPDATE. MODEL REFERENCED:01	DRAWN BY: ABD	2016-02-08													
	CHECKED: ABB	2016-02-10													
	MECH. ENG.: JLA	2016-02-09													
TOLERANCES ARE IN INCHES, AND MILLIMETERS UNLESS OTHERWISE STATED ARE:			WORKLAMP, FLOOD, 3.5"x2" 12-24VDC												
<table border="1" style="width: 100%; border-collapse: collapse;"> <tr> <th style="width: 33%;">MILLIMETERS DECIMALS</th> <th style="width: 33%;">INCHES DECIMALS</th> <th style="width: 33%;">ANGLES</th> </tr> <tr> <td>XX. ± 1.0mm</td> <td>X.X ± 0.1</td> <td>± 0.5°</td> </tr> <tr> <td>XX.X ± 0.5mm</td> <td>X.XX ± 0.04</td> <td rowspan="2">FRACTIONS ± 1/64</td> </tr> <tr> <td></td> <td>X.XXX ± 0.02</td> </tr> </table>	MILLIMETERS DECIMALS	INCHES DECIMALS	ANGLES	XX. ± 1.0mm	X.X ± 0.1	± 0.5°	XX.X ± 0.5mm	X.XX ± 0.04	FRACTIONS ± 1/64		X.XXX ± 0.02	ELEC. ENG.: JES	2016-02-11	CUSTOMER PART NO.: EW2019 PRODUCT SERIES: EW2019	
MILLIMETERS DECIMALS	INCHES DECIMALS	ANGLES													
XX. ± 1.0mm	X.X ± 0.1	± 0.5°													
XX.X ± 0.5mm	X.XX ± 0.04	FRACTIONS ± 1/64													
	X.XXX ± 0.02														
	TEST ENG.: JRT	2016-02-09	SIZE: A DWG. NO.: EW2019 REV. C												
	SALES: JPT	2016-02-08			SHEET 1 OF 1 Project: LM14265 Date Created: 2015-09-15										
THIRD ANGLE PROJECTION 			Electronically Controlled Use Latest Copy												

THIS DRAWING AND THE DESIGN IT DISCLOSES ARE THE PRIVATE PROPERTY OF ESG AND IS ISSUED IN CONFIDENCE FOR ENGINEERING INFORMATION ONLY. THE DRAWING AND / OR DESIGN MAY NOT BE USED, COPIED, REPRODUCED, OR OTHERWISE DISCLOSED IN PART OR AS A WHOLE TO OUTSIDERS OR USED FOR ANY OTHER PURPOSE WITHOUT THE PRIOR WRITTEN CONSENT OF ESG. THE DRAWING IS SUBJECT TO RECALL AT ANY TIME. YOUR POSSESSION OF THIS DOCUMENT CONSTITUTES ACCEPTANCE OF THESE TERMS. © 2015 ECCO